

Multi-Output Custom Clock Generator

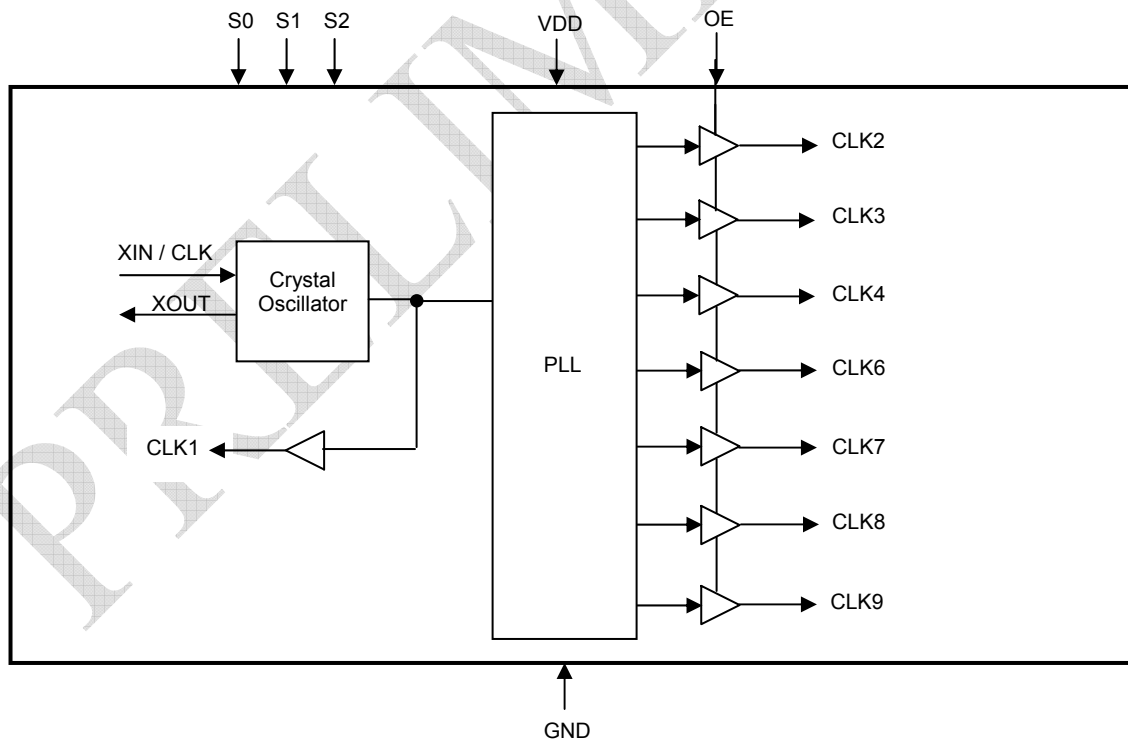
Features

- Generates seven clock outputs from an inexpensive 20MHz crystal or external reference clock.
- Output Frequencies are selectable through select bits
- Generates an EMI optimized clock signal at the output.
- $\pm 1.5\%$ (Typ) Centre Spread for Spread Spectrum Clock Outputs
- Operates with a $3.3V \pm 5\%$ Supply Voltage
- Available in 28-pin TSSOP.

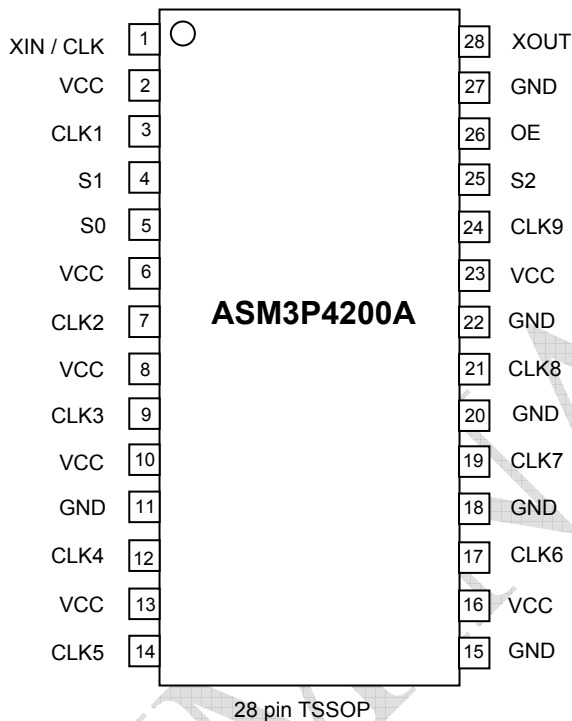
Product Description

The ASM3P4200A is a versatile multi output custom clock generator. The seven high frequency Clock outputs are generated using an inexpensive 20MHz Crystal or external reference clock. The accuracy of the 20MHz Input Clock should be within $\pm 50\text{ppm}$. The output clocks consist of a low EMI spread spectrum clock and other non-spread clocks. Three Select bits choose the combination of Output Clock Frequency. Refer to the Output Frequency Selection Table for the values. The device operates from a Supply Voltage of $3.3V \pm 5\%$ with a tolerable ripple voltage of 50mV. The device is available in a 28 pin TSSOP JEDEC package.

Block Diagram



Pin Assignment



Output Frequency Selection Table

Selection Bits			CLK1 (MHz)	CLK2 (MHz)	CLK3 (MHz)	CLK4 (MHz)	CLK5 (MHz)	CLK6 (MHz)	CLK7 (MHz)	CLK8* (MHz)	CLK9* (MHz)
S2	S1	S0									
0	0	0	20	36.6	31.6	39.5	OFF	84	63	50	20
0	0	1	20	36.6	31.6	39.5	OFF	84	63	60	20
0	1	0	20	36.6	31.6	39.5	OFF	36	63	50	20
0	1	1	20	36.6	31.6	39.5	OFF	84	63	75	20
1	0	0	-	-	-	-	-	-	-	-	-
1	0	1	-	-	-	-	-	-	-	-	-
1	1	0	-	-	-	-	-	-	-	-	-
1	1	1	-	-	-	-	-	-	-	-	-

* CLK8 and CLK9 are Spread Spectrum Clocks

rev 0.2

Pin Description

Pin #	Pin Name	Pin Type	Pin Description
1	XIN / CLK	Input	Crystal connection or external reference frequency input. It can be connected to a 20MHz Fundamental mode crystal or to an external reference clock.
2	VCC	Power	Connect to +3.3V.
3	CLK1	Output	Clock Output. Refer to the Output Frequency Selection Table for details.
4	S1	Input	Select Bit for Desired Output Frequency at different output pins. Refer to the Output Frequency Selection Table for details. Has an internal pull down resistor
5	S0	Input	Select Bit for Desired Output Frequency at different output pins. Refer to the Output Frequency Selection Table for details. Has an internal pull down resistor
6	VCC	Power	Connect to +3.3V.
7	CLK2	Output	Clock Output. Refer to the Output Frequency Selection Table for details.
8	VCC	Power	Connect to +3.3V.
9	CLK3	Output	Clock Output. Refer to the Output Frequency Selection Table for details.
10	VCC	Power	Connect to +3.3V.
11	GND	Power	Connect to ground.
12	CLK4	Output	Clock Output. Refer to the Output Frequency Selection Table for details.
13	VCC	Power	Connect to +3.3V.
14	CLK5	Output	Clock Output. Refer to the Output Frequency Selection Table for details.
15	GND	Power	Connect to ground.
16	VCC	Power	Connect to +3.3V.
17	CLK6	Output	Clock Output. Refer to the Output Frequency Selection Table for details.
18	GND	Power	Connect to ground.
19	CLK7	Output	Clock Output. Refer to the Output Frequency Selection Table for details.
20	GND	Power	Connect to ground.
21	CLK8	Output	Spread Spectrum Clock Output. Refer to the Output Frequency Selection Table for details.
22	GND	Power	Connect to ground.
23	VCC	Power	Connect to +3.3V.
24	CLK9	Output	Spread Spectrum Clock Output. Refer to the Output Frequency Selection Table for details.
25	S2	Input	Select Bit for Desired Output Frequency at different output pins. Refer to the Output Frequency Selection Table for details. Has an internal pull down resistor
26	OE	Input	Output Enable bit. When this pin is made HIGH, the output clocks are enabled. Has an Internal pull-up resistor
27	GND	Power	Connect to ground.
28	XOUT	Output	Crystal connection. If an external reference clock is used, this pin must be left unconnected.

Absolute Maximum Ratings

Symbol	Parameter	Rating	Unit
VDD	Power Supply Voltage relative to Ground	-0.5 to +4.6	V
V _{IN}	Input Voltage relative to Ground (Input Pins)	-0.5 to VDD+0.3	
T _{STG}	Storage temperature	-65 to +150	°C
T _A	Operating temperature	-20 to +85	°C
T _s	Max. Soldering Temperature (10 sec)	260	°C
T _J	Junction Temperature	125	°C
T _{DV}	Static Discharge Voltage (As per JEDEC STD22- A114-B)	2	KV

Note: These are stress ratings only and are not implied for functional use. Exposure to absolute maximum ratings for prolonged periods of time may affect device reliability.

rev 0.2

DC Electrical Characteristics

(Test condition: All parameters are measured at room temperature (+ 25°C) unless otherwise stated)

Symbol	Parameter	Min	Typ	Max	Unit
V _{IL}	Input low voltage	GND - 0.3	-	0.8	V
V _{IH}	Input high voltage	2.0	-	VDD + 0.3	V
I _{IL}	Input low current	-	-	-35	µA
I _{IH}	Input high current	-	-	35	µA
I _{XOL}	XOUT output low current (@0.4V, VDD=3.3V)	-	3	-	mA
I _{XOH}	XOUT output high current (@2.5V, VDD=3.3V)	-	3	-	mA
V _{OL}	Output low voltage (VDD = 3.3 V, I _{OL} = 12mA)	-	-	0.4	V
V _{OH}	Output high voltage (VDD = 3.3 V, I _{OH} = 12mA)	2.5	-	-	V
I _{DD}	Static supply current*	-	TBD	-	mA
I _{CC}	Dynamic supply current (3.3V, 20MHz and no load)	-	TBD	-	mA
VDD	Operating Voltage	3.135	3.3	3.465	V
t _{ON}	Power-up time (first locked cycle after power-up)**	-	-	5	mS
Z _{OUT}	Output impedance	-	17	-	Ω

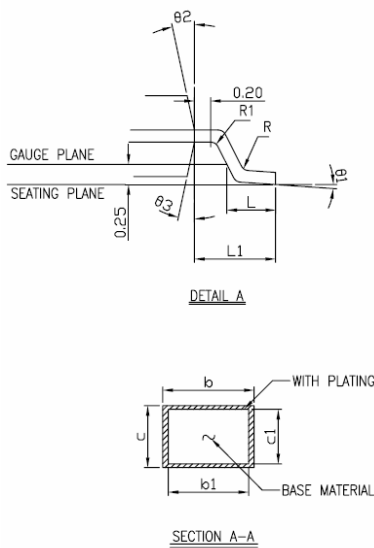
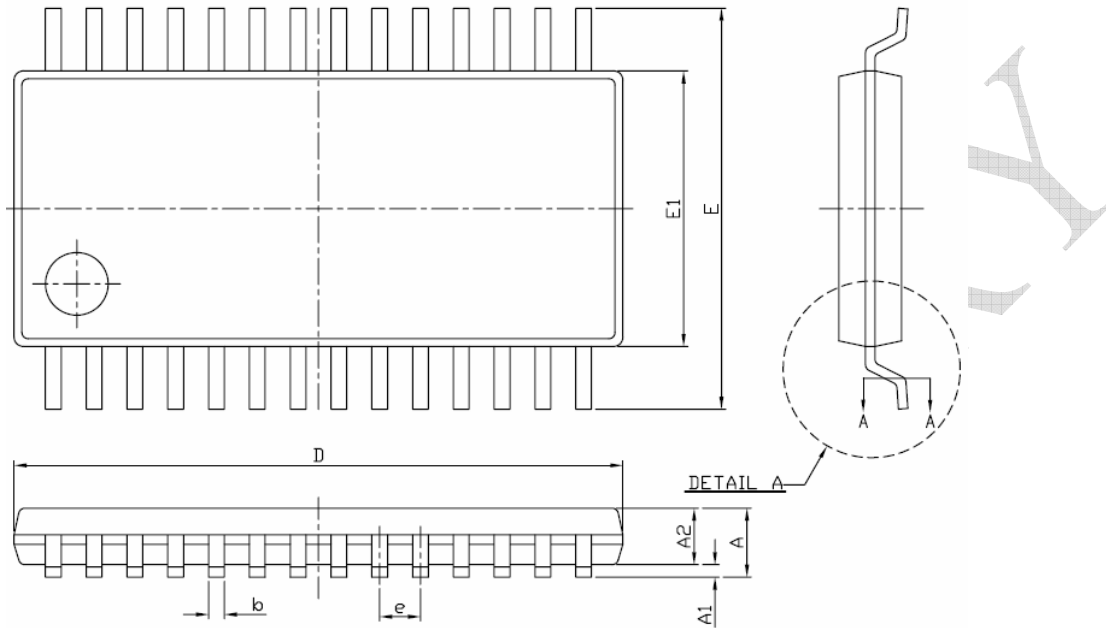
* XIN / CLK and OE Pins are pulled low
 ** VDD and XIN / CLK inputs are stable,

AC Electrical Characteristics

Symbol	Parameter	Min	Typ	Max	Unit
XIN / CLK	Input frequency	-	20	-	MHz
f _d	Spread Percentage	-	Output Frequency = 20MHz (Pin 24)	±1.5	-
			Output Frequency = 50MHz		
			Output Frequency = 60MHz		
			Output Frequency = 75MHz		
t _{LH} *	Output rise time (Measured from 0.8V to 2.0V)	-	-	1	nS
t _{HL} *	Output fall time (Measured from 2.0V to 0.8V)	-	-	1	nS
t _{JC}	Jitter (Cycle to cycle)	-	±250	-	pS
t _p	Jitter(Period)	-	±150	-	pS
t _D	Output duty cycle	45	50	55	%

*t_{LH} and t_{HL} are measured into a capacitive load of 30pF

28 lead Thin Shrunken Small Outline Package (4.40-MM Body) --- JEDEC Standard



Symbol	Dimensions			
	Inches		Millimeters	
	Min	Max	Min	Max
A	0.043	...	1.2
A1	0.0020	0.0059	0.05	0.15
A2	0.031	0.041	0.80	1.05
D	0.3779	0.3858	9.60	9.80
L	0.020	0.030	0.50	0.75
E	0.252 BSC		6.40 BSC	
E1	0.169	0.177	4.30	4.50
R	0.004	0.09
R1	0.004	0.09
b	0.007	0.012	0.19	0.30
b1	0.007	0.010	0.19	0.25
c	0.004	0.008	0.09	0.20
c1	0.004	0.006	0.09	0.16
L1	0.039 REF		1.0 REF	
e	0.026 BSC		0.65 BSC	
θ1	0°	8°	0°	8°
θ2	12° REF		12° REF	
θ3	12° REF		12° REF	

Ordering Information

Part Number	Marking	Package	Temperature
ASM3P4200AG-28-TT	3P4200AG	28-Pin TSSOP, Tube, Green	Commercial
ASM3P4200AG-28-TR	3P4200AG	28-Pin TSSOP, Tape and Reel, Green	Commercial

Device Ordering Information

ASM3P4200AG - 28 - TT

OR – TSOT23 -6, T/R TT – TSSOP, TUBE TR – TSSOP, T/R VT – TVSOP, TUBE VR – TVSOP, T/R ST – SOIC, TUBE AR – SSOP, T/R AT – SSOP, TUBE	SR – SOIC, T/R QR – QFN, T/R QT – QFN, TRAY BT – BGA, TRAY BR – BGA, T/R UR – SOT-23, T/R DR – QSOP, T/R DT – QSOP, TUBE
PIN COUNT	
GREEN PACKAGE	
PART NUMBER	
X = Automotive (-40C to +125C) I = Industrial (-40C to +85C) P or n/c = Commercial (0C to +70C)	
1 – reserved 2 – Non PLL based 3 – EMI Reduction 4 – DDR support products 5 – STD Zero Delay Buffer	6 – power management 7 – power management 8 – power management 9 – Hi performance 0 – reserved
PulseCore Semiconductor Mixed Signal Product	

Licensed under US patent #5,488,627, #6,646,463 and #5,631,920.



PulseCore Semiconductor Corporation
1715 S. Bascom Ave Suite 200
Campbell, CA 95008
Tel: 408-879-9077
Fax: 408-879-9018
www.pulsecoresemi.com

Copyright © PulseCore Semiconductor
All Rights Reserved
Part Numbers: ASM3P4200A
Document Version: 0.2

Note: This product utilizes US Patent # 6,646,463 Impedance Emulator Patent issued to PulseCore Semiconductor, dated 11-11-2003

© Copyright 2006 PulseCore Semiconductor Corporation. All rights reserved. Our logo and name are trademarks or registered trademarks of PulseCore Semiconductor. All other brand and product names may be the trademarks of their respective companies. PulseCore reserves the right to make changes to this document and its products at any time without notice. PulseCore assumes no responsibility for any errors that may appear in this document. The data contained herein represents PulseCore's best data and/or estimates at the time of issuance. PulseCore reserves the right to change or correct this data at any time, without notice. If the product described herein is under development, significant changes to these specifications are possible. The information in this product data sheet is intended to be general descriptive information for potential customers and users, and is not intended to operate as, or provide, any guarantee or warranty to any user or customer. PulseCore does not assume any responsibility or liability arising out of the application or use of any product described herein, and disclaims any express or implied warranties related to the sale and/or use of PulseCore products including liability or warranties related to fitness for a particular purpose, merchantability, or infringement of any intellectual property rights, except as express agreed to in PulseCore's Terms and Conditions of Sale (which are available from PulseCore). All sales of PulseCore products are made exclusively according to PulseCore's Terms and Conditions of Sale. The purchase of products from PulseCore does not convey a license under any patent rights, copyrights; mask works rights, trademarks, or any other intellectual property rights of PulseCore or third parties. PulseCore does not authorize its products for use as critical components in life-supporting systems where a malfunction or failure may reasonably be expected to result in significant injury to the user, and the inclusion of PulseCore products in such life-supporting systems implies that the manufacturer assumes all risk of such use and agrees to indemnify PulseCore against all claims arising from such use.