

**PLEASE CHECK WWW.MOLEX.COM FOR LATEST PART INFORMATION**

**Part Number:** [0879751002](#)  
**Status:** **Active**  
**Description:** 1.27mm (.050") Signal Pitch, 0.80mm (.031") SCSI Pitch, 1.27mm (.050") Power Pitch SAS Receptacle, Right Angle, Surface Mount, with Straight Solder Tab, "Z" Height of 2.85mm (.112"), 29 Circuits, Leadfree

**Documents:**

[3D Model](#) [Product Specification PS-87975-102 \(PDF\)](#)  
[Drawing \(PDF\)](#) [RoHS Certificate of Compliance \(PDF\)](#)

**Agency Certification**

CSA LR19980  
 UL E29179

**General**

Product Family I/O Connectors  
 Series [87975](#)  
 Application Board-to-Board  
 Comments No pick and place cap|"Z" Height - 2.85mm (.112")  
 Component Type Receptacle  
 Product Name SAS  
 Type N/A

**Physical**

Boot Color N/A  
 Circuits (Loaded) 29  
 Circuits (maximum) 29  
 Circuits Detail Signal 7, SCSI 7, Power 15  
 Color - Resin Black  
 Durability (mating cycles max) 500  
 Flammability 94V-0  
 Gender Female  
 Keying to Mating Part Yes  
 Lock to Mating Part None  
 Material - Plating Mating Gold  
 Material - Plating Termination Tin  
 Number of Rows 2  
 Orientation Right Angle  
 PC Tail Length (in) 0.000 In  
 PC Tail Length (mm) 0.00 mm  
 PCB Locator Yes  
 PCB Retention Yes  
 PCB Thickness Recommended (in) 0.063 In  
 PCB Thickness Recommended (mm) 1.60 mm  
 Packaging Type Tray  
 Panel Mount Yes  
 Pitch - Mating Interface (in) 0.031 In, 0.050 In  
 Pitch - Mating Interface (mm) 0.80 mm, 1.27 mm  
 Pitch - Term. Interface (in) 0.031 In, 0.050 In  
 Pitch - Term. Interface (mm) 0.80 mm, 1.27 mm  
 Plating min: Mating (µin) 30  
 Plating min: Mating (µm) 0.76  
 Plating min: Termination (µin) 102  
 Plating min: Termination (µm) 2.54  
 Polarized to Mating Part Yes  
 Polarized to PCB Yes

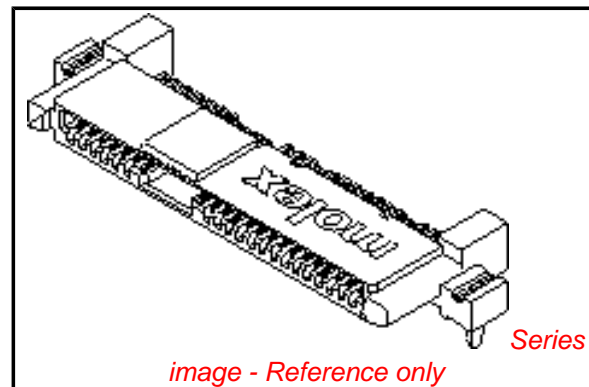


image - Reference only

**EU RoHS**

**ELV and RoHS  
 Compliant**  
**REACH SVHC**  
 Not Reviewed  
**Halogen-Free  
 Status**

**China RoHS**



**Need more information on product  
 environmental compliance?**

Email [productcompliance@molex.com](mailto:productcompliance@molex.com)  
 For a multiple part number RoHS Certificate of Compliance, [click here](#)

Please visit the [Contact Us](#) section for any non-product compliance questions.

**Search Parts in this Series**

[87975Series](#)

**Mates With**

[87679](#) , [87799](#) , [87703](#) , SFF 8482 Hard Disk Drive and Backplane Plug

Surface Mount Compatible (SMC)	N/A
Temperature Range - Operating	0°C to +55°C
Termination Interface: Style	Surface Mount
Waterproof / Dustproof	No
Wire Size AWG	N/A

### **Electrical**

Current - Maximum per Contact	1.5A
Shielded	No
Voltage - Maximum	30V

### **Solder Process Data**

Duration at Max. Process Temperature (seconds)	10
Lead-free Process Capability	Reflow Capable (SMT only)
Max. Cycles at Max. Process Temperature	1
Process Temperature max. C	260

### **Material Info**

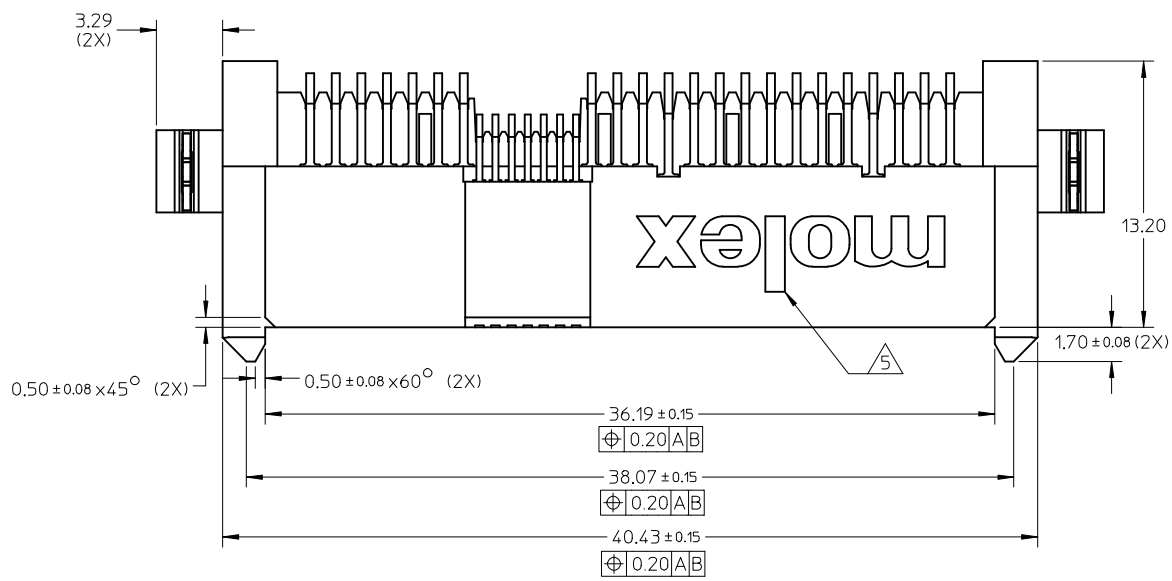
#### **Reference - Drawing Numbers**

Product Specification	PS-87975-102
Sales Drawing	SD-87975-101

This document was generated on 06/08/2010

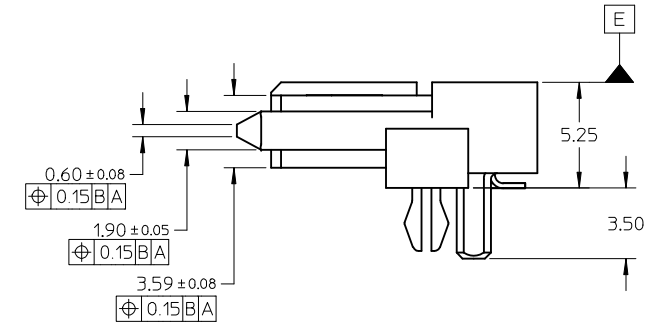
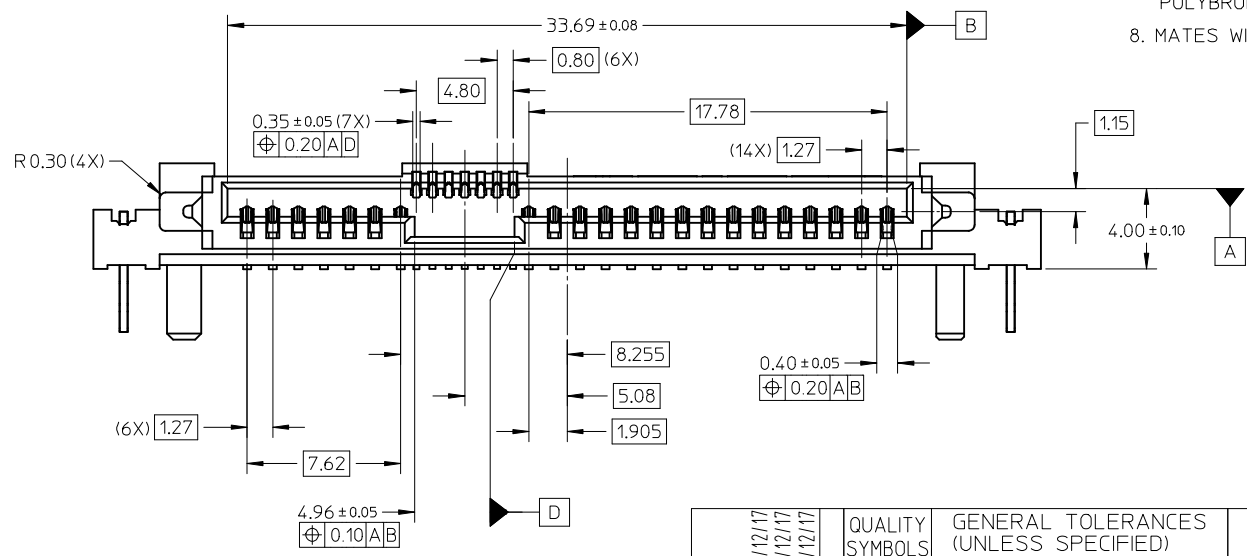
**PLEASE CHECK [WWW.MOLEX.COM](http://WWW.MOLEX.COM) FOR LATEST PART INFORMATION**

PART NUMBERS	HOLD DOWN OPTION
87975-1001	FORK LOCK
87975-1002	BLADE

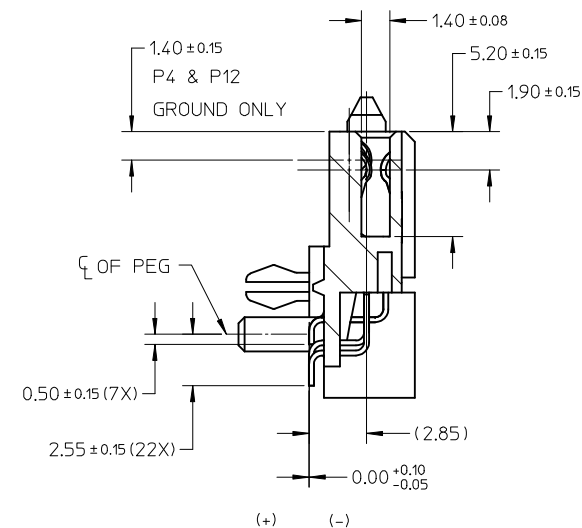
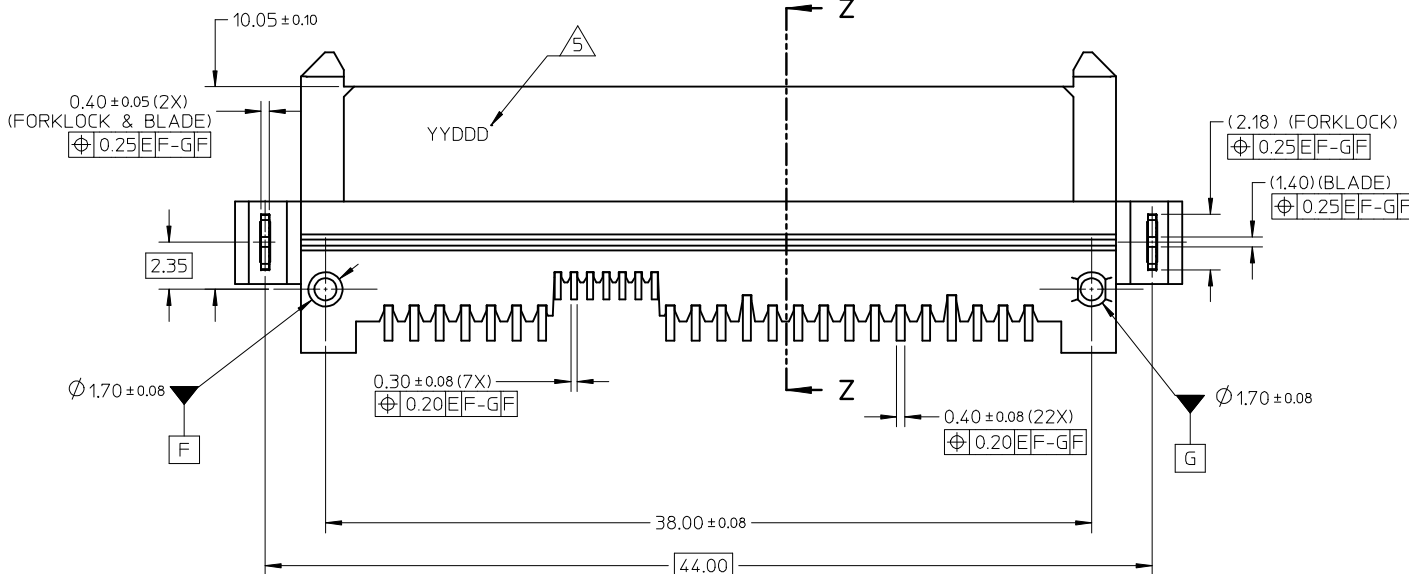
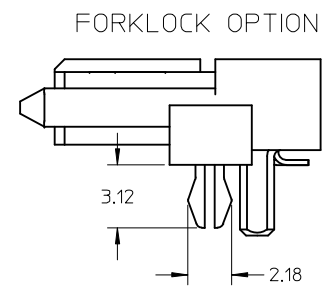
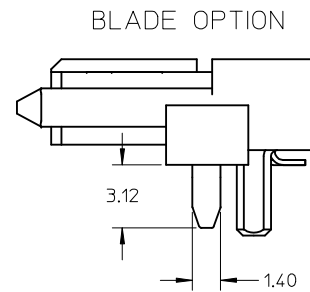
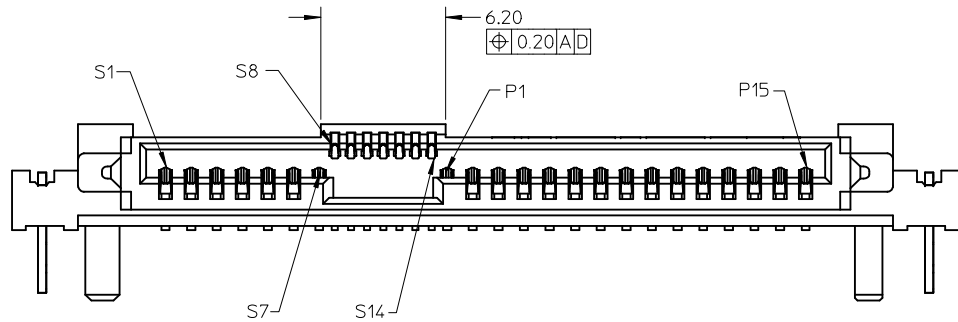


NOTES:

- MATERIAL:  
HOUSING: NYLON, GLASS FILLED, UL 94V-0, BLACK.  
TERMINAL/FORKLOCK/BLADE : COPPER ALLOY.
- FINISHES:  
TERMINAL:  
CONTACT: 0.76µm MIN. SELECTIVE GOLD OVER 1.27µm MIN. NICKEL UNDERPLATE.  
SOLDERTAIL: 2.54µm MIN. TIN OVER 1.27µm MIN. NICKEL UNDERPLATE.  
FORKLOCK/BLADE: 2.54µm MIN. TIN OVER 1.27µm MIN. NICKEL UNDERPLATE.
- PRODUCT SPECIFICATION: PS-87975-102
- PACKAGING SPECIFICATION : TRAY.
- MOLEX LOGO AND DATE CODE LOCATED APPROXIMATELY AS SHOWN.
- NON FUNCTIONAL CORE HOLE MAY VARY.
- THIS PRODUCT IS COMPLIANT TO RoHS DIRECTIVE WITH THE FOLLOWING BANNED SUBSTANCES - LEAD, MERCURY, CADMIUM, HEXAVALENT CHROMIUM, POLYBROMINATED BIPHENYLS AND POLYBROMINATED DIPHENYL ETHERS.
- MATES WITH : SFF-8482 PLUG  
SATA PLUG SERIES 87679, 87703 AND 87799

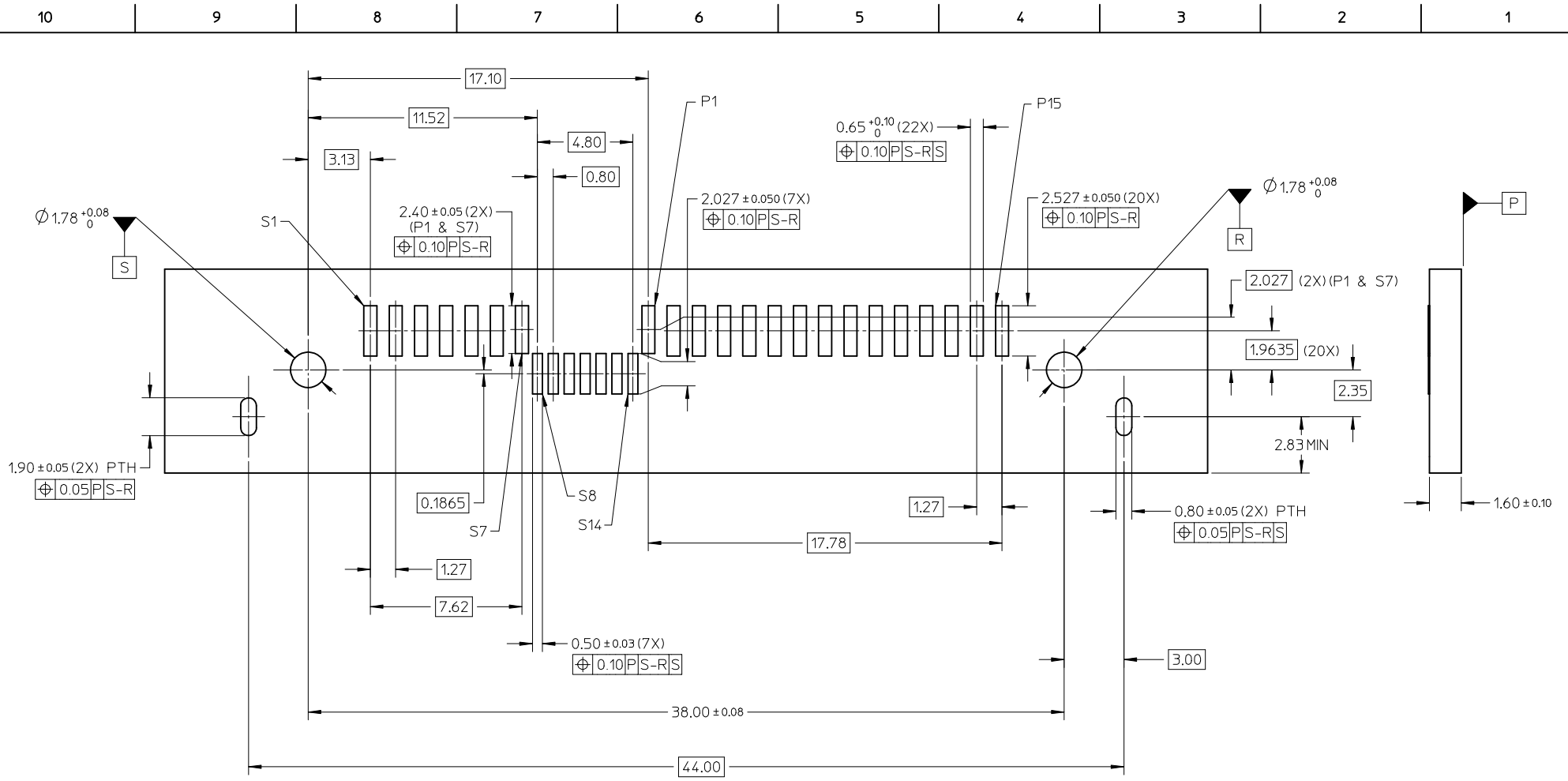


<b>CHG TO REV A</b> EC NO: S2009-0393 DRWING: MEMARLY 2008/12/17 CHKD: CGOH 2008/12/17 APPR: BOKOK 2008/12/17	QUALITY SYMBOLS ▽=0 ◻=0	GENERAL TOLERANCES (UNLESS SPECIFIED)		DIMENSION STYLE <b>MM ONLY</b>		SCALE NTS	DESIGN UNITS METRIC	THIRD ANGLE PROJECTION			
		4 PLACES ± --- ± ---	mm INCH	DRAWN BY YKOH	DATE 2005/03/16	TITLE SERIAL ATTACH SCSI RECEPTACLE, RIGHT-ANGLE SMT, 2.85MM HEIGHT					
		3 PLACES ± --- ± ---		CHECKED BY DKOH	DATE 2005/03/23	MOLEX INCORPORATED					
		2 PLACES ± 0.20 ± ---		APPROVED BY SKTOH	DATE 2005/03/23	MATERIAL NO. SEE TABLE	DOCUMENT NO. SD-87975-101	SHEET NO. 1 OF 4			
1 PLACE ± --- ± ---		ANGULAR ± 3 °		THIS DRAWING CONTAINS INFORMATION THAT IS PROPRIETARY TO MOLEX INCORPORATED AND SHOULD NOT BE USED WITHOUT WRITTEN PERMISSION							
DRAFT WHERE APPLICABLE MUST REMAIN WITHIN DIMENSIONS											



SECTION Z-Z

<b>CHG TO REV A</b> EC NO: S2009-0393 DRWN: MEMARLY 2008/12/17 CHKD: CGOH 2008/12/17 APPR: BOKOK 2008/12/17	QUALITY SYMBOLS ▽=0 ◻=0	GENERAL TOLERANCES (UNLESS SPECIFIED)		DIMENSION STYLE <b>MM ONLY</b>		SCALE <b>NTS</b>	DESIGN UNITS <b>METRIC</b>	THIRD ANGLE PROJECTION		
			mm	INCH	DRAWN BY	DATE	TITLE			
		4 PLACES	± ---	± ---	YKOH	2005/03/16	<b>SERIAL ATTACH SCSI RECEPTACLE, RIGHT-ANGLE SMT, 2.85MM HEIGHT</b>			
		3 PLACES	± ---	± ---	CHECKED BY	DATE				
2 PLACES	± 0.20	± ---	DKOH	2005/03/23	<b>MOLEX INCORPORATED</b>					
1 PLACE	± ---	± ---	APPROVED BY	DATE						
ANGULAR ± 3 °		DRAFT WHERE APPLICABLE MUST REMAIN WITHIN DIMENSIONS		SKTOH	2005/03/23	DOCUMENT NO.		SHEET NO.		
				SEE TABLE		SD-87975-101		2 OF 4		
				THIS DRAWING CONTAINS INFORMATION THAT IS PROPRIETARY TO MOLEX INCORPORATED AND SHOULD NOT BE USED WITHOUT WRITTEN PERMISSION						

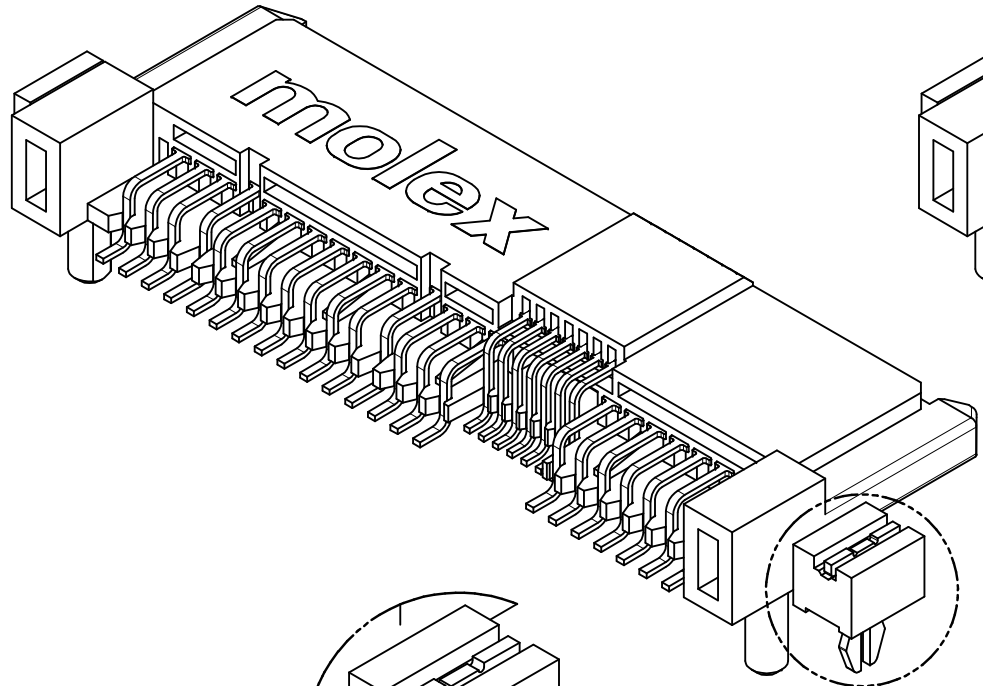


RECOMMENDED PCB LAYOUT

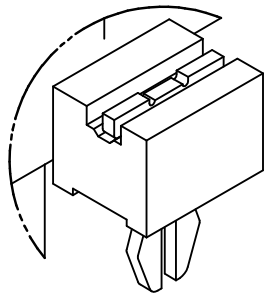
<b>CHG TO REV A</b> EC NO: S2009-0393 DRWNG: MENARLY 2008/12/17 CHKD: CGOH 2008/12/17 APPR: BOKOK 2008/12/17 A	QUALITY SYMBOLS ▼=0 ◻=0	GENERAL TOLERANCES (UNLESS SPECIFIED)		DIMENSION STYLE <b>MM ONLY</b>		SCALE NTS	DESIGN UNITS METRIC	THIRD ANGLE PROJECTION		
			mm	INCH	DRAWN BY	DATE	TITLE			
		4 PLACES	± ---	± ---	YKOH	2005/03/16	SERIAL ATTACH SCSI RECEPTACLE, RIGHT-ANGLE SMT, 2.85MM HEIGHT <b>molex</b> MOLEX INCORPORATED			
		3 PLACES	± ---	± ---	CHECKED BY	DATE				
2 PLACES	± 0.20	± ---	DKOH	2005/03/23	APPROVED BY DATE SKTOH 2005/03/23					
1 PLACE	± ---	± ---	ANGULAR ± 3 °		MATERIAL NO.		DOCUMENT NO.		SHEET NO.	
DRAFT WHERE APPLICABLE MUST REMAIN WITHIN DIMENSIONS			SEE TABLE		SD-87975-101		3 OF 4			

10 9 8 7 6 5 4 3 2 1

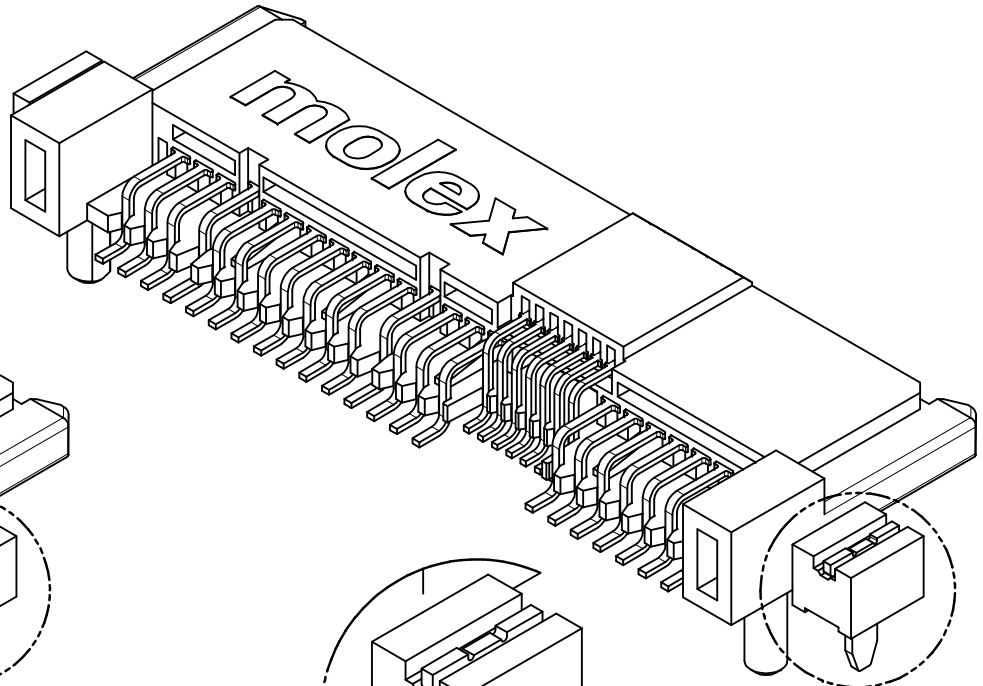
F  
E  
D  
C  
B  
A



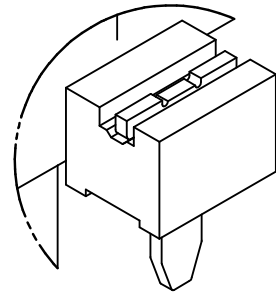
FORKLOCK OPTION



FORKLOCK OPTION



BLADE OPTION



BLADE OPTION

<b>CHG TO REV A</b> EC NO: S2009-0393 DRWING: MENARLY 2008/12/17 CHKD: CGOH 2008/12/17 APPR: BOKOK 2008/12/17	QUALITY SYMBOLS ▽=0 ◻=0	GENERAL TOLERANCES (UNLESS SPECIFIED)	DIMENSION STYLE <b>MM ONLY</b>	SCALE NTS	DESIGN UNITS METRIC	THIRD ANGLE PROJECTION														
		<table border="1"> <thead> <tr> <th></th> <th>mm</th> <th>INCH</th> </tr> </thead> <tbody> <tr> <td>4 PLACES</td> <td>± ---</td> <td>± ---</td> </tr> <tr> <td>3 PLACES</td> <td>± ---</td> <td>± ---</td> </tr> <tr> <td>2 PLACES</td> <td>± 0.20</td> <td>± ---</td> </tr> <tr> <td>1 PLACE</td> <td>± ---</td> <td>± ---</td> </tr> </tbody> </table>		mm	INCH	4 PLACES	± ---	± ---	3 PLACES	± ---	± ---	2 PLACES	± 0.20	± ---	1 PLACE	± ---	± ---	DRAWN BY: YKOH DATE: 2005/03/16	TITLE: SERIAL ATTACH SCSI RECEPTACLE, RIGHT-ANGLE SMT, 2.85MM HEIGHT	
		mm	INCH																	
	4 PLACES	± ---	± ---																	
3 PLACES	± ---	± ---																		
2 PLACES	± 0.20	± ---																		
1 PLACE	± ---	± ---																		
	ANGULAR ± 3 °	CHECKED BY: DKOH DATE: 2005/03/23	APPROVED BY: SKTOH DATE: 2005/03/23	MOLEX INCORPORATED																
DRAFT WHERE APPLICABLE MUST REMAIN WITHIN DIMENSIONS		SEE TABLE	MATERIAL NO.	DOCUMENT NO.	SHEET NO.															

9 8 7 6 5 4 3 2 1