

PLEASE CHECK WWW.MOLEX.COM FOR LATEST PART INFORMATION

Part Number: [0879751001](#)
Status: **Active**
Description: 1.27mm (.050") Signal Pitch, 0.80mm (.031") SCSI Pitch, 1.27mm (.050") Power Pitch SAS Receptacle, Right Angle, Surface Mount, "Z" Height of 2.85mm (.112"), with Beveled Metal Pins, 29 Circuits, Leadfree

Documents:

[3D Model](#) [Product Specification PS-87975-102 \(PDF\)](#)
[Drawing \(PDF\)](#) [RoHS Certificate of Compliance \(PDF\)](#)

Agency Certification

CSA LR19980
 UL E29179

General

Product Family I/O Connectors
 Series [87975](#)
 Application Board-to-Board
 Comments No pick and place cap|"Z" Height - 2.85mm (.112")
 Component Type Receptacle
 Product Name SAS
 Type N/A

Physical

Boot Color N/A
 Circuits (Loaded) 29
 Circuits (maximum) 29
 Circuits Detail Signal 7, SCSI 7, Power 15
 Color - Resin Black
 Durability (mating cycles max) 500
 Flammability 94V-0
 Gender Female
 Keying to Mating Part Yes
 Lock to Mating Part None
 Material - Plating Mating Gold
 Material - Plating Termination Tin
 Number of Rows 2
 Orientation Right Angle
 PCB Locator Yes
 PCB Retention Yes
 PCB Thickness Recommended (in) 0.062 In
 PCB Thickness Recommended (mm) 1.60 mm
 Packaging Type Tray
 Panel Mount Yes
 Pitch - Mating Interface (in) 0.031 In, 0.050 In
 Pitch - Mating Interface (mm) 0.80 mm, 1.27 mm
 Pitch - Term. Interface (in) 0.031 In, 0.050 In
 Pitch - Term. Interface (mm) 0.80 mm, 1.27 mm
 Plating min: Mating (µin) 30
 Plating min: Mating (µm) 0.76
 Plating min: Termination (µin) 102
 Plating min: Termination (µm) 2.54
 Polarized to Mating Part Yes
 Polarized to PCB Yes
 Surface Mount Compatible (SMC) N/A
 Temperature Range - Operating 0°C to +55°C

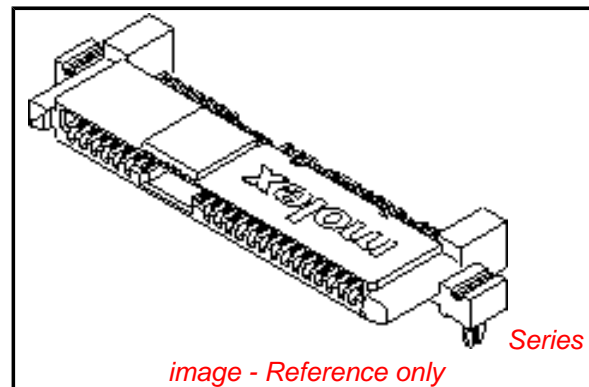


image - Reference only

EU RoHS

ELV and RoHS Compliant
REACH SVHC
 Not Reviewed
Halogen-Free Status
Not Reviewed

China RoHS



Need more information on product environmental compliance?

Email productcompliance@molex.com
 For a multiple part number RoHS Certificate of Compliance, [click here](#)

Please visit the [Contact Us](#) section for any non-product compliance questions.

Search Parts in this Series

[87975Series](#)

Mates With

[87679](#) , [87799](#) , [87703](#) , SFF 8482 Hard Disk Drive and Backplane Plug

Termination Interface: Style	Surface Mount
Waterproof / Dustproof	No
Wire Size AWG	N/A

Electrical

Current - Maximum per Contact	1.5A
Shielded	No
Voltage - Maximum	30V

Solder Process Data

Duration at Max. Process Temperature (seconds)	10
Lead-free Process Capability	Reflow Capable (SMT only)
Max. Cycles at Max. Process Temperature	1
Process Temperature max. C	260

Material Info**Reference - Drawing Numbers**

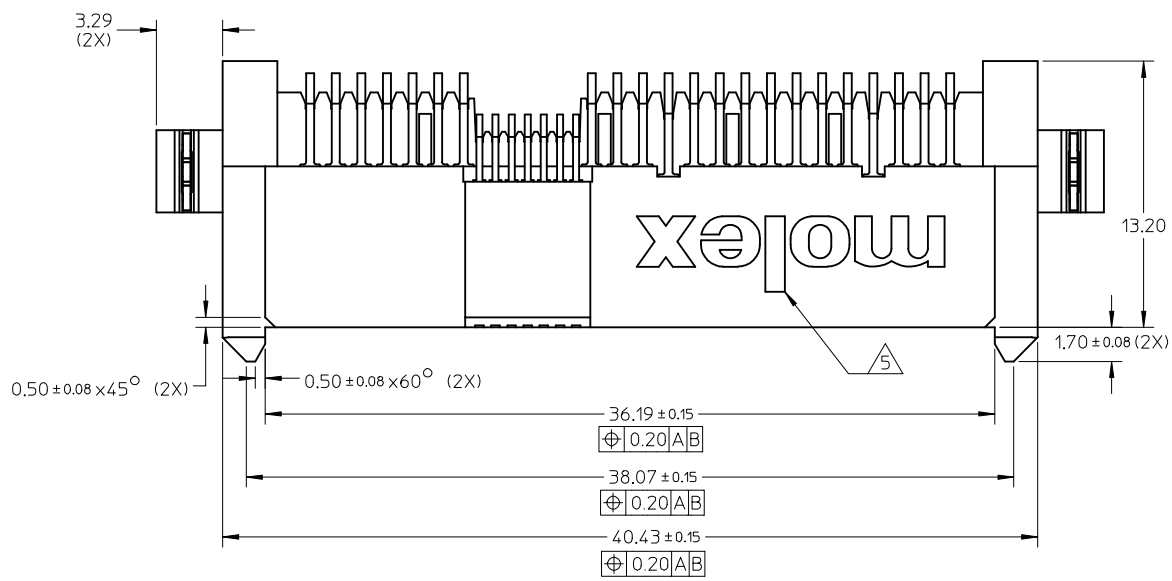
Product Specification	PS-87975-102
Sales Drawing	SD-87975-101

This document was generated on 04/09/2010

PLEASE CHECK WWW.MOLEX.COM FOR LATEST PART INFORMATION

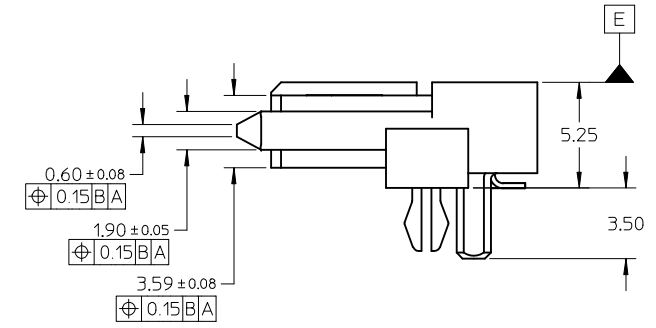
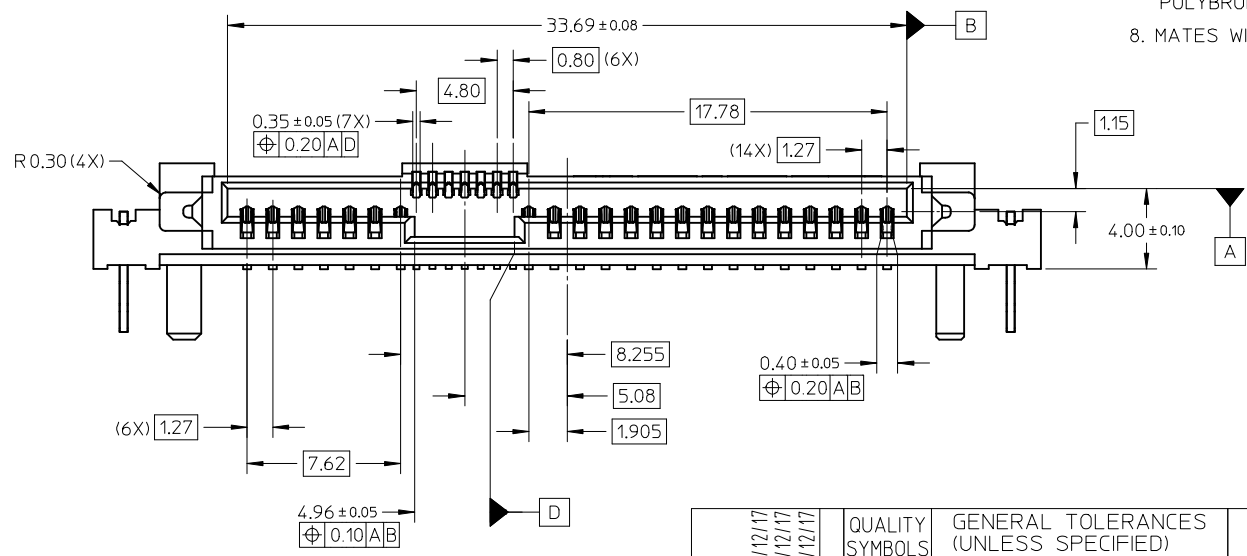
10 9 8 7 6 5 4 3 2 1

PART NUMBERS	HOLD DOWN OPTION
87975-1001	FORK LOCK
87975-1002	BLADE



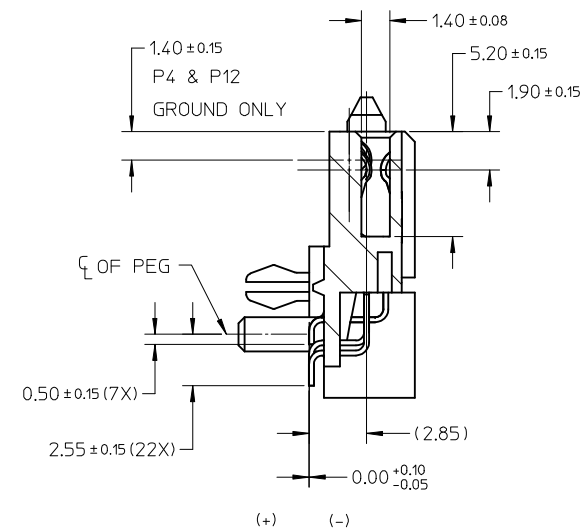
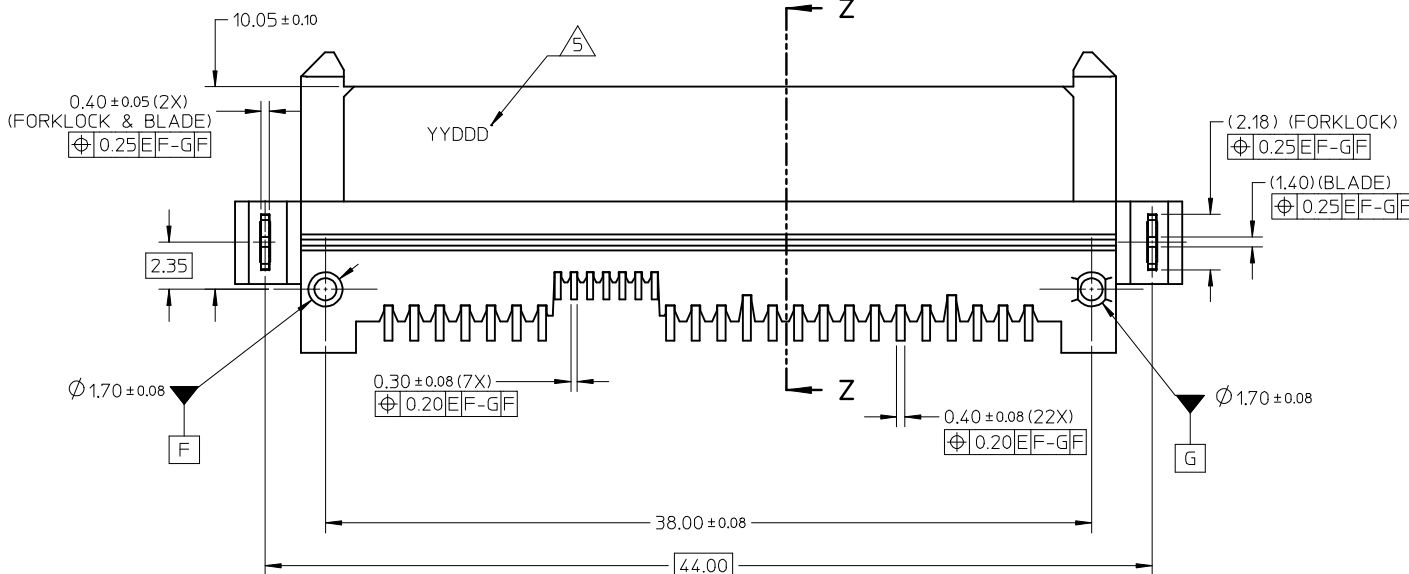
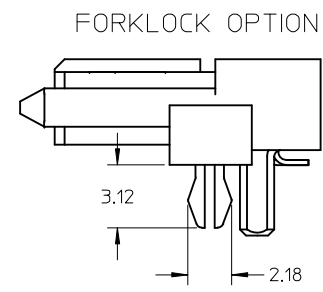
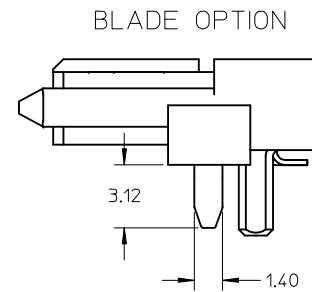
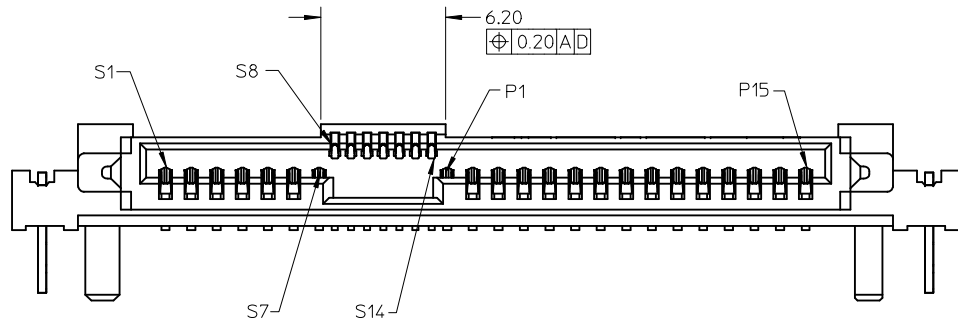
NOTES:

- MATERIAL:
HOUSING: NYLON, GLASS FILLED, UL 94V-0, BLACK.
TERMINAL/FORKLOCK/BLADE : COPPER ALLOY.
- FINISHES:
TERMINAL:
CONTACT: 0.76µm MIN. SELECTIVE GOLD OVER 1.27µm MIN. NICKEL UNDERPLATE.
SOLDERTAIL: 2.54µm MIN. TIN OVER 1.27µm MIN. NICKEL UNDERPLATE.
FORKLOCK/BLADE: 2.54µm MIN. TIN OVER 1.27µm MIN. NICKEL UNDERPLATE.
- PRODUCT SPECIFICATION: PS-87975-102
- PACKAGING SPECIFICATION : TRAY.
- MOLEX LOGO AND DATE CODE LOCATED APPROXIMATELY AS SHOWN.
- NON FUNCTIONAL CORE HOLE MAY VARY.
- THIS PRODUCT IS COMPLIANT TO RoHS DIRECTIVE WITH THE FOLLOWING BANNED SUBSTANCES - LEAD, MERCURY, CADMIUM, HEXAVALENT CHROMIUM, POLYBROMINATED BIPHENYLS AND POLYBROMINATED DIPHENYL ETHERS.
- MATES WITH : SFF-8482 PLUG
SATA PLUG SERIES 87679, 87703 AND 87799



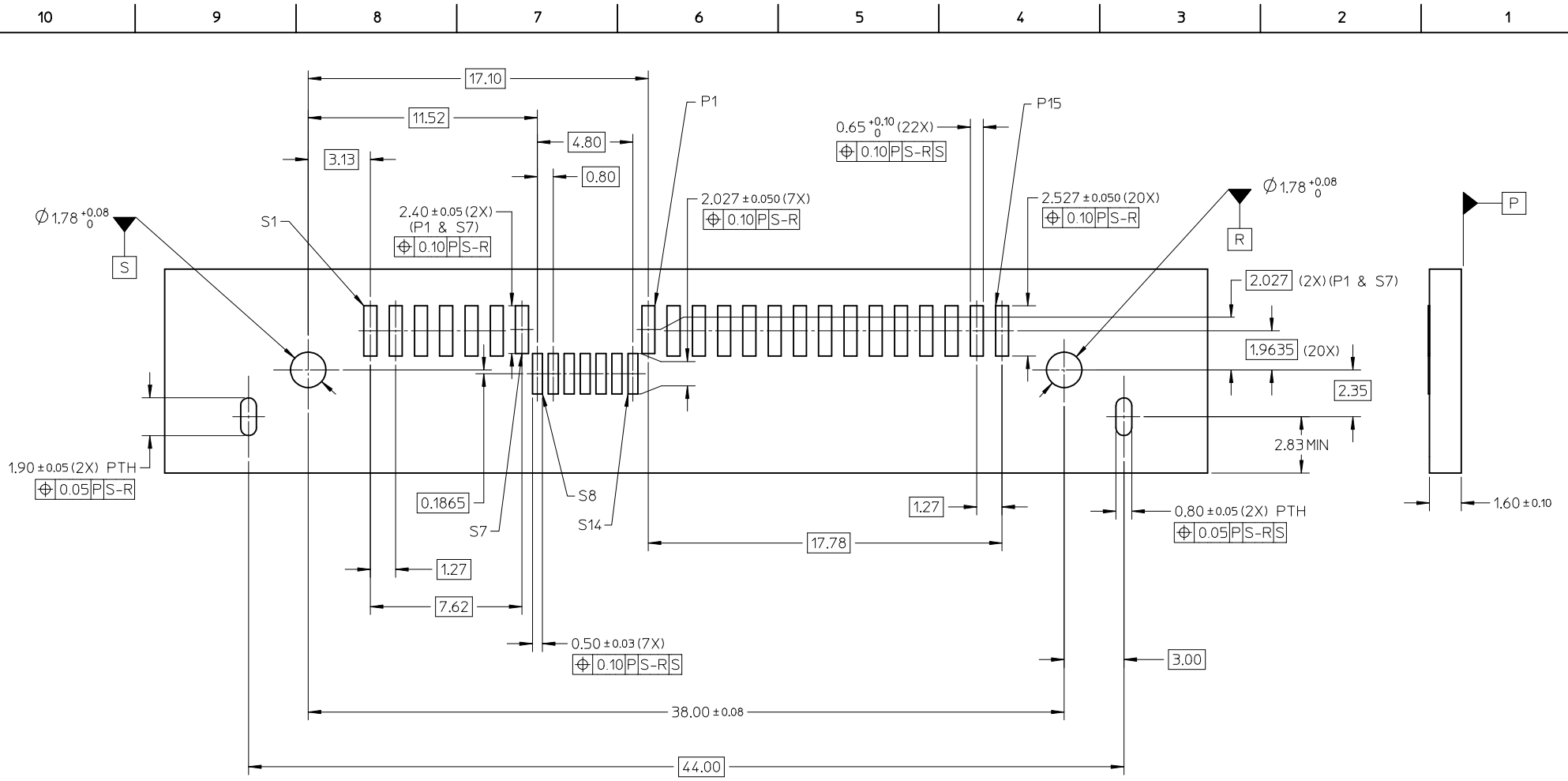
CHG TO REV A EC NO: S2009-0393 DRWING: MEMARLY 2008/12/17 CHKD: CGOH 2008/12/17 APPR: BOKOK 2008/12/17	QUALITY SYMBOLS ▽=0 ◻=0	GENERAL TOLERANCES (UNLESS SPECIFIED)		DIMENSION STYLE MM ONLY		SCALE NTS	DESIGN UNITS METRIC	THIRD ANGLE PROJECTION		
			mm	INCH	DRAWN BY	DATE	TITLE			
		4 PLACES	± ---	± ---	YKOH	2005/03/16	SERIAL ATTACH SCSI RECEPTACLE, RIGHT-ANGLE SMT, 2.85MM HEIGHT MOLEX INCORPORATED			
		3 PLACES	± ---	± ---	CHECKED BY	DATE				
2 PLACES	± 0.20	± ---	APPROVED BY	DATE	DOCUMENT NO.		SHEET NO.			
1 PLACE	± ---	± ---	SKTOH	2005/03/23	SD-87975-101		1 OF 4			
DRAFT WHERE APPLICABLE MUST REMAIN WITHIN DIMENSIONS		ANGULAR ± 3 °		MATERIAL NO. SEE TABLE		THIS DRAWING CONTAINS INFORMATION THAT IS PROPRIETARY TO MOLEX INCORPORATED AND SHOULD NOT BE USED WITHOUT WRITTEN PERMISSION				

9 8 7 6 5 4 3 2 1



SECTION Z-Z

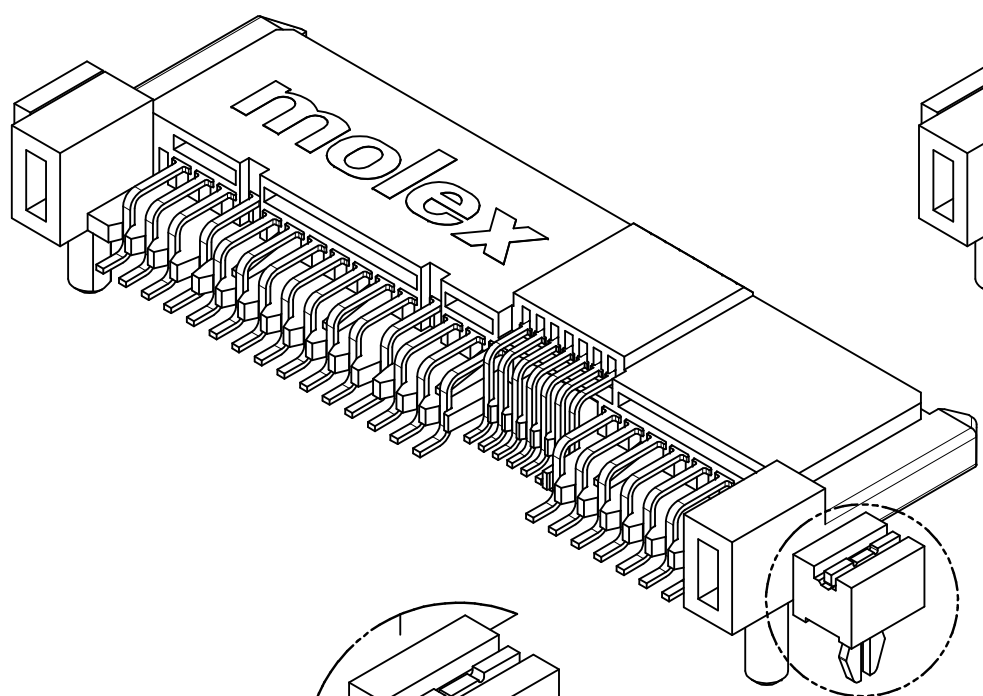
CHG TO REV A EC NO: S2009-0393 DRWN: MEMARLY 2008/12/17 CHKD: CGOH 2008/12/17 APPR: BOKOK 2008/12/17	QUALITY SYMBOLS ▽=0 ◻=0	GENERAL TOLERANCES (UNLESS SPECIFIED)		DIMENSION STYLE MM ONLY		SCALE NTS	DESIGN UNITS METRIC	THIRD ANGLE PROJECTION		
			mm	INCH	DRAWN BY	DATE	TITLE			
		4 PLACES	± ---	± ---	YKOH	2005/03/16	SERIAL ATTACH SCSI RECEPTACLE, RIGHT-ANGLE SMT, 2.85MM HEIGHT			
		3 PLACES	± ---	± ---	CHECKED BY	DATE				
2 PLACES	± 0.20	± ---	DKOH	2005/03/23	MOLEX INCORPORATED					
1 PLACE	± ---	± ---	APPROVED BY	DATE						
ANGULAR ± 3 °		DRAFT WHERE APPLICABLE MUST REMAIN WITHIN DIMENSIONS		SKTOH	2005/03/23	DOCUMENT NO.		SHEET NO.		
				SEE TABLE		SD-87975-101		2 OF 4		
				THIS DRAWING CONTAINS INFORMATION THAT IS PROPRIETARY TO MOLEX INCORPORATED AND SHOULD NOT BE USED WITHOUT WRITTEN PERMISSION						



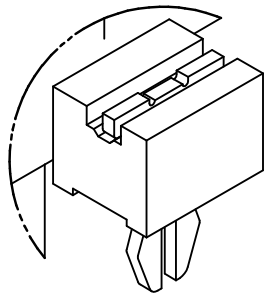
RECOMMENDED PCB LAYOUT

CHG TO REV A EC NO: S2009-0393 DRWNG: MENARLY 2008/12/17 CHKD: CGOH 2008/12/17 APPR: BOKOK 2008/12/17 A	QUALITY SYMBOLS ▽=0 ◻=0	GENERAL TOLERANCES (UNLESS SPECIFIED)		DIMENSION STYLE MM ONLY		SCALE NTS	DESIGN UNITS METRIC	THIRD ANGLE PROJECTION		
			mm	INCH	DRAWN BY	DATE	TITLE			
		4 PLACES	± ---	± ---	YKOH	2005/03/16	SERIAL ATTACH SCSI RECEPTACLE, RIGHT-ANGLE SMT, 2.85MM HEIGHT			
		3 PLACES	± ---	± ---	CHECKED BY	DATE				
2 PLACES	± 0.20	± ---	DKOH	2005/03/23	MOLEX INCORPORATED					
1 PLACE	± ---	± ---	APPROVED BY	DATE						
ANGULAR ± 3 °		DRAFT WHERE APPLICABLE MUST REMAIN WITHIN DIMENSIONS		SKTOH	2005/03/23	MATERIAL NO. SEE TABLE		DOCUMENT NO. SD-87975-101		
				SIZE A3		THIS DRAWING CONTAINS INFORMATION THAT IS PROPRIETARY TO MOLEX INCORPORATED AND SHOULD NOT BE USED WITHOUT WRITTEN PERMISSION				

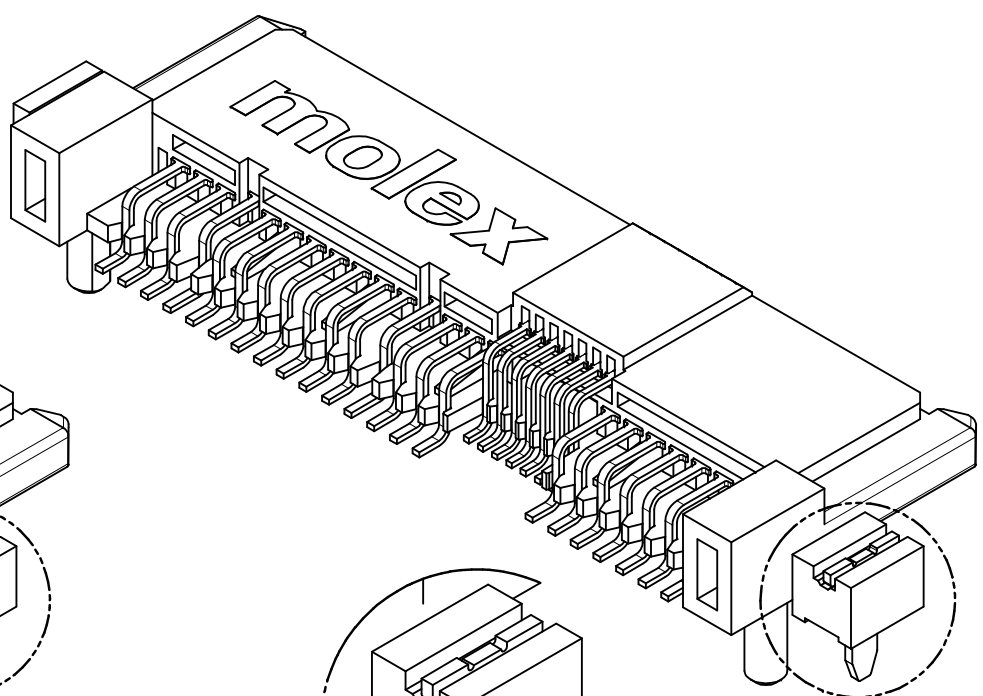
10 9 8 7 6 5 4 3 2 1



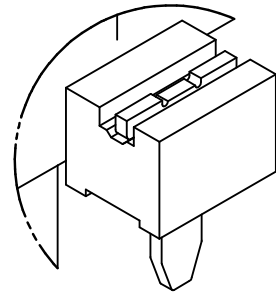
FORKLOCK OPTION



FORKLOCK OPTION



BLADE OPTION



BLADE OPTION

CHG TO REV A EC NO: S2009-0393 DRWN:SMENARLY 2008/12/17 CHKD:CGOH 2008/12/17 APPR:BOKOK 2008/12/17	QUALITY SYMBOLS ▽=0 ◻=0	GENERAL TOLERANCES (UNLESS SPECIFIED) <table border="1"> <thead> <tr> <th></th> <th>mm</th> <th>INCH</th> </tr> </thead> <tbody> <tr> <td>4 PLACES</td> <td>± ---</td> <td>± ---</td> </tr> <tr> <td>3 PLACES</td> <td>± ---</td> <td>± ---</td> </tr> <tr> <td>2 PLACES</td> <td>± 0.20</td> <td>± ---</td> </tr> <tr> <td>1 PLACE</td> <td>± ---</td> <td>± ---</td> </tr> </tbody> </table>		mm	INCH	4 PLACES	± ---	± ---	3 PLACES	± ---	± ---	2 PLACES	± 0.20	± ---	1 PLACE	± ---	± ---	DIMENSION STYLE MM ONLY	SCALE NTS	DESIGN UNITS METRIC	THIRD ANGLE PROJECTION
		mm	INCH																		
	4 PLACES	± ---	± ---																		
	3 PLACES	± ---	± ---																		
2 PLACES	± 0.20	± ---																			
1 PLACE	± ---	± ---																			
DESCRIPTION A	DRAFT WHERE APPLICABLE MUST REMAIN WITHIN DIMENSIONS	<table border="1"> <thead> <tr> <th>DRAWN BY</th> <th>DATE</th> <th>TITLE</th> </tr> </thead> <tbody> <tr> <td>YKOH</td> <td>2005/03/16</td> <td rowspan="4"> SERIAL ATTACH SCSI RECEPTACLE, RIGHT-ANGLE SMT, 2.85MM HEIGHT MOLEX INCORPORATED </td> </tr> <tr> <td>CHECKED BY</td> <td>DATE</td> </tr> <tr> <td>APPROVED BY</td> <td>DATE</td> </tr> <tr> <td>SKTOH</td> <td>2005/03/23</td> </tr> </tbody> </table>	DRAWN BY	DATE	TITLE	YKOH	2005/03/16	SERIAL ATTACH SCSI RECEPTACLE, RIGHT-ANGLE SMT, 2.85MM HEIGHT MOLEX INCORPORATED	CHECKED BY	DATE	APPROVED BY	DATE	SKTOH	2005/03/23	MATERIAL NO.	DOCUMENT NO.	SHEET NO.				
DRAWN BY	DATE	TITLE																			
YKOH	2005/03/16	SERIAL ATTACH SCSI RECEPTACLE, RIGHT-ANGLE SMT, 2.85MM HEIGHT MOLEX INCORPORATED																			
CHECKED BY	DATE																				
APPROVED BY	DATE																				
SKTOH	2005/03/23																				
		SEE TABLE	THIS DRAWING CONTAINS INFORMATION THAT IS PROPRIETARY TO MOLEX INCORPORATED AND SHOULD NOT BE USED WITHOUT WRITTEN PERMISSION																		
					SD-87975-101	4 OF 4															

9 8 7 6 5 4 3 2 1