

PLEASE CHECK WWW.MOLEX.COM FOR LATEST PART INFORMATION

Part Number: [0878344441](#)
Status: **Active**
Overview: [cgrid_sl_products](#)
Description: 2.54mm (.100") Pitch C-Grid® Header, Dual Row, Low Profile, Vertical, Shrouded, without PCB Locator, without End Window, 0.13µm (5µ) Gold (Au) Flash Plating, Nylon Housing, 44 Circuits, Lead-free

Documents:

[3D Model](#) [Product Specification PS-70246-100 \(PDF\)](#)
[Drawing \(PDF\)](#) [RoHS Certificate of Compliance \(PDF\)](#)

General

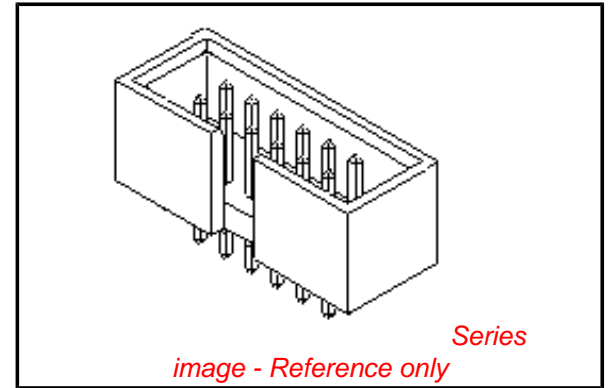
Product Family	PCB Headers
Series	87834
Application	Wire-to-Board
Overview	cgrid_sl_products
Product Name	C-Grid®

Physical

Breakaway	No
Circuits (Loaded)	44
Circuits (maximum)	44
Color - Resin	Natural
First Mate / Last Break	No
Glow-Wire Compliant	No
Guide to Mating Part	No
Keying to Mating Part	Yes
Lock to Mating Part	None
Material - Plating Mating	Gold
Material - Plating Termination	Tin
Material - Resin	Nylon
Number of Rows	2
Orientation	Vertical
PC Tail Length (in)	0.135 In
PC Tail Length (mm)	3.43 mm
PCB Locator	No
PCB Retention	None
Packaging Type	Tray
Pitch - Mating Interface (in)	0.100 In
Pitch - Mating Interface (mm)	2.54 mm
Pitch - Term. Interface (in)	0.100 In
Pitch - Term. Interface (mm)	2.54 mm
Plating min: Mating (µin)	5
Plating min: Mating (µm)	0.13
Plating min: Termination (µin)	98
Plating min: Termination (µm)	2.50
Polarized to Mating Part	Center Slot
Polarized to PCB	No
Shrouded	Fully
Stackable	No
Temperature Range - Operating	-55°C to +120°C
Termination Interface: Style	Through Hole

Electrical

Current - Maximum per Contact	2.5A
Voltage - Maximum	250V DC



EU RoHS

ELV and RoHS Compliant
REACH SVHC Contains SVHC: No
Halogen-Free Status

China RoHS



Not Reviewed

Need more information on product environmental compliance?

Email productcompliance@molex.com
 For a multiple part number RoHS Certificate of Compliance, [click here](#)

Please visit the [Contact Us](#) section for any non-product compliance questions.

Search Parts in this Series

87834Series

Mates With

.050" pitch ribbon cable connectors

Material Info

Reference - Drawing Numbers

Packaging Specification
Product Specification
Sales Drawing

PK-87835-001
PS-70246-100
SD-87834-023

This document was generated on 05/25/2010

PLEASE CHECK WWW.MOLEX.COM FOR LATEST PART INFORMATION

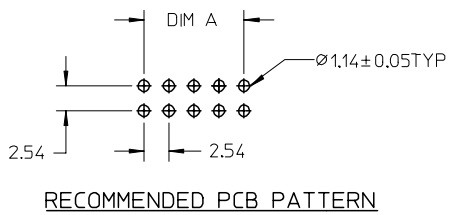
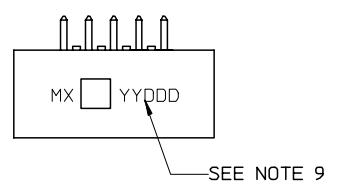
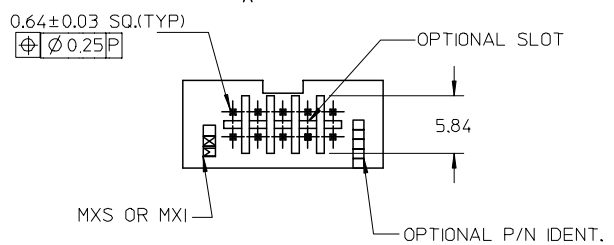
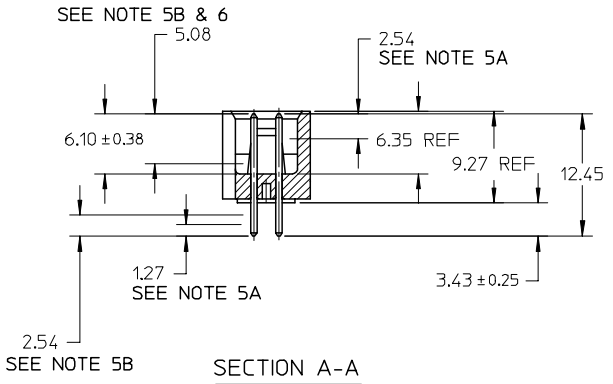
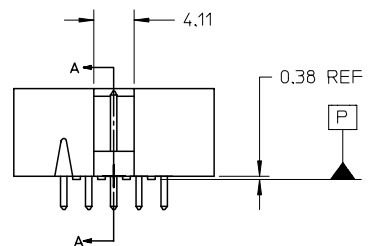
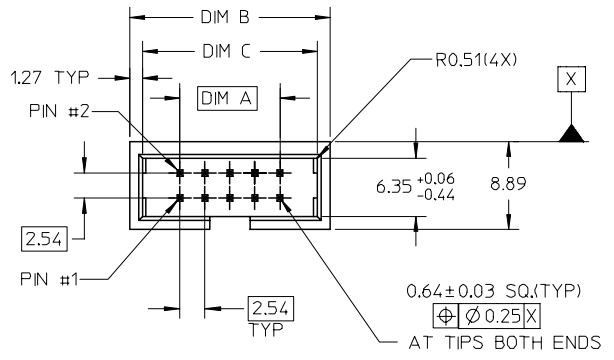
ASSEMBLY P/N	CKT SIZE	DIM A	DIM B	DIM C
87834-0841	08	7.62	17.78	15.24
87834-1041	10	10.16	20.32	17.78
87834-1241	12	12.70	22.86	20.32
87834-1441	14	15.24	25.40	22.86
87834-1641	16	17.78	27.94	25.40
87834-2041	20	22.86	33.02	30.48
87834-2441	24	27.94	38.10	35.56
87834-2641	26	30.48	40.64	38.10
87834-3041	30	35.56	45.72	43.18
87834-3441	34	40.64	50.80	48.26
87834-4041	40	48.26	58.42	55.88
87834-4441	44	53.34	63.50	60.96
87834-5041	50	60.96	71.12	68.58
87834-5641	56	68.58	78.74	76.20
87834-6041	60	73.66	83.82	81.28
87834-6441	64	78.74	88.90	86.36
87834-7241	72	88.90	99.06	96.52

PART NUMBER LEGEND

87834 - **41
CKT SIZES

NOTES :

- MATERIAL :
HOUSING : NYLON (PA), UL94V-0, COLOR: NATURAL.
PIN : COPPER ALLOY.
- PIN PUSHOUT FORCE 0.91 KG MIN.
- PRODUCT SPECIFICATION PS-70246-100 APPLIES.
- WAFER TO BE FLAT WITHIN 0.03MM/CM
- DIMENSIONS FOR PLATING LOCATIONS : A - MEASURE POINT FOR THICKNESS.
B - MINIMUM COVERAGE.
- GOLD END OF PIN UNLESS OVERALL PLATED.
- FINISH :
0.13um MIN. GOLD FLASH OVER 1.02um MIN PD/Ni
IN SELECTED AREA AND 2.5um MIN. TIN IN SELECTED AREA OVER 1.27um NICKEL OVERALL.
- FOR ILLUSTRATION PURPOSE A 10 CKT IS SHOWN.
- OPTIONAL LOCATION FOR MANUFACTURER/YEAR/DAY MARKING IF REQUIRED BY CUSTOMER



OBS P/N	EC NO: S2007-0257	2006/09/15
	DRWN:SKANG	2006/09/15
	CHKD:M LONG	2006/09/19
	APPR:SKTOH	2006/09/19
REV	A3	

QUALITY SYMBOLS	DESCRIPTION
▽=0	
▽=0	

GENERAL TOLERANCES (UNLESS SPECIFIED)	
	MM ONLY
4 PLACES	± ---
3 PLACES	± ---
2 PLACES	± 0.20
1 PLACE	± ---
ANGULAR ± 3 °	
DRAFT WHERE APPLICABLE MUST REMAIN WITHIN DIMENSIONS	

DIMENSION STYLE	
MM ONLY	
DRAWN BY	DATE
RSHAN	2003/11/20
CHECKED BY	DATE
KCL ING	2003/12/05
APPROVED BY	DATE
SKTOH	2003/12/06
MATERIAL NO.	DOCUMENT NO.
SEE TABLE	SD-87834-023

SCALE	DESIGN UNITS	THIRD ANGLE PROJECTION
NTS	METRIC	☉ □
C-GRID, SHROUDED WAFER SLOTTED W/O END WINDOW & PEGS		
MOLEX INCORPORATED		
SHEET NO.		1 OF 1