

PLEASE CHECK WWW.MOLEX.COM FOR LATEST PART INFORMATION

Part Number: [0753437777](#)
Status: **Active**
Overview: [gbx_backplane_connector_system](#)
Description: 1.85mm by 1.85mm (.073 by .073") Pitch 4-Pair GbX® Backplane Connector System, Power Module, 24 Circuits, 1.27µm (50µ") Gold (Au)

Documents:

[Drawing \(PDF\)](#) [RoHS Certificate of Compliance \(PDF\)](#)
[Product Specification PS-75221-999 \(PDF\)](#)

General

Product Family	Backplane Connectors
Series	75343
Application	Backplane
Application Tooling Documents	Tooling Manual
Comments	Blade Length A 7.50mm, B 7.50mm, C 7.50mm, D 7.50mm
Component Type	Power Header
Overview	gbx_backplane_connector_system
Product Name	GbX®
Style	N/A

Physical

Circuits (Loaded)	24
Circuits (maximum)	24
Circuits Detail	Rows A, B, C & D
Color - Resin	Gray (Dark)
Durability (mating cycles max)	200
First Mate / Last Break	No
Guide to Mating Part	No
Keying to Mating Part	None
Material - Metal	High Performance Alloy (HPA)
Material - Plating Mating	Gold
Material - Plating Termination	90/10 Tin Lead
Material - Resin	High Temperature Thermoplastic
Number of Columns	N/A
Number of Pairs	4
Number of Rows	4
Orientation	Vertical
PC Tail Length (in)	0.090 In
PC Tail Length (mm)	2.28 mm
PCB Locator	Yes
PCB Retention	Yes
PCB Thickness Recommended (in)	0.063 In
PCB Thickness Recommended (mm)	1.60 mm
Packaging Type	Tube
Pitch - Mating Interface (in)	0.000 In
Pitch - Mating Interface (mm)	0.00 mm
Pitch - Term. Interface (in)	0.102 In
Pitch - Term. Interface (mm)	2.60 mm
Plating min: Mating (µin)	50
Plating min: Mating (µm)	1.25
Plating min: Termination (µin)	30
Plating min: Termination (µm)	0.75
Polarized to PCB	Yes

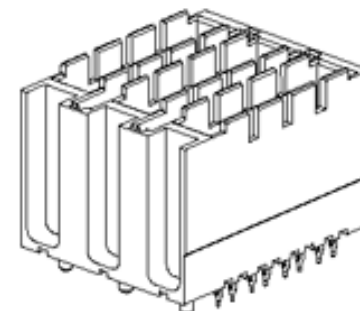


image - Reference only

Series

EU RoHS

RoHS Compliant by Exemption
REACH SVHC
Contains SVHC: No
Halogen-Free
Status
Halogen-Free

China RoHS



Need more information on product environmental compliance?

Email productcompliance@molex.com
 For a multiple part number RoHS Certificate of Compliance, [click here](#)

Please visit the [Contact Us](#) section for any non-product compliance questions.

Search Parts in this Series

[75343Series](#)

Mates With

[75292 GbX® Daughtercard](#)

Application Tooling | FAQ

Tooling specifications and manuals are found by selecting the products below. Crimp Height Specifications are then contained in the Application Tooling Specification document.

Global

Description	Product #
Insertion Module, GbX® 4 pair 3 - Up Power Module	0622022061
GbX® Single Pin Repair Tool	0622022090
GbX® Shield Removal Tool	0622022100

Stackable	No
Surface Mount Compatible (SMC)	Yes
Temperature Range - Operating	105°C
Termination Interface: Style	Through Hole - Compliant Pin

Electrical

Current - Maximum per Contact	6A
Data Rate	8.0 Gbps
Real Signals (per 25mm)	0
Shielded	No
Voltage - Maximum	120V AC (RMS)/DC

Material Info

Reference - Drawing Numbers

Packaging Specification	PK-70873-562
Product Specification	PS-75221-999
Sales Drawing	SD-75341-001

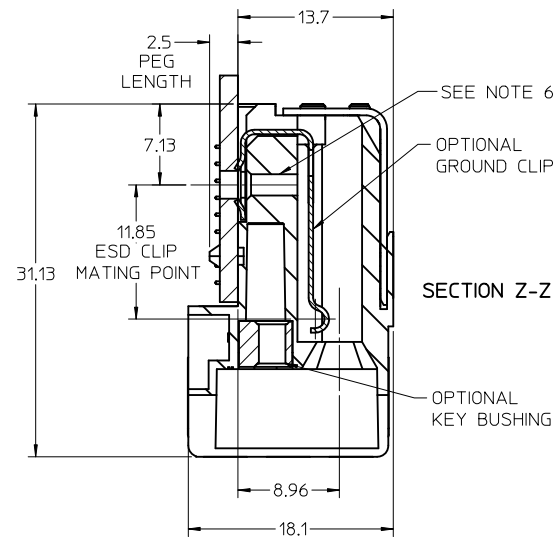
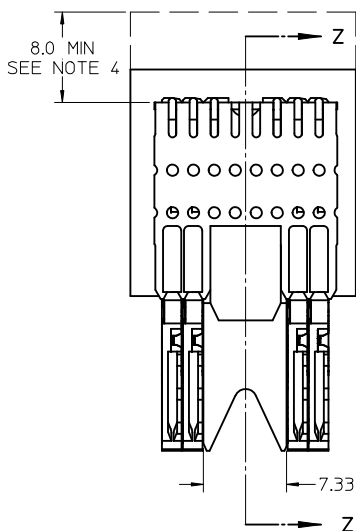
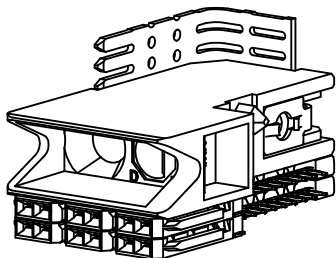
GbX is a registered trademark of Amphenol Corporation.

This document was generated on 05/14/2010

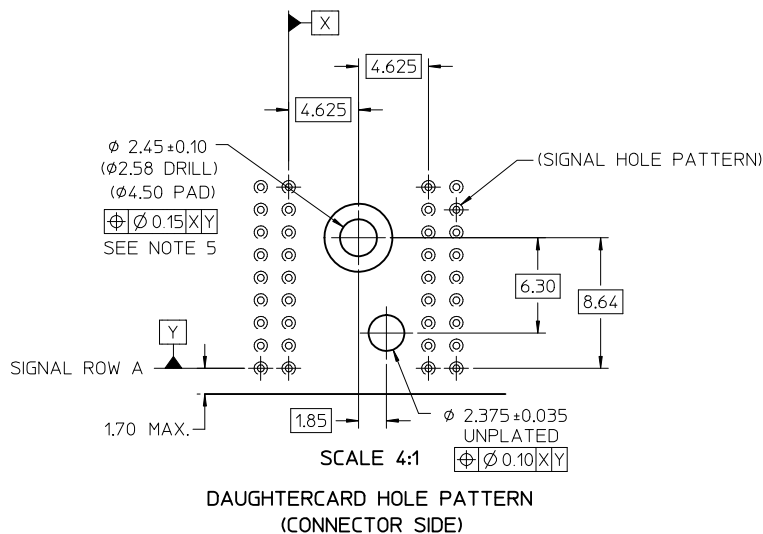
PLEASE CHECK WWW.MOLEX.COM FOR LATEST PART INFORMATION

NOTES:

1. MATERIALS: HOUSING - LIQUID CRYSTAL POLYMER (LCP), GLASS-FILLED, UL 94V-0
TERMINAL - HIGH PERFORMANCE COPPER ALLOY
2. FINISH: SELECTIVE GOLD (Au) IN CONTACT AREA,
SELECTIVE TIN/LEAD (Sn/Pb) ON PC TAILS,
NICKEL OVERALL.
3. REFER TO MOLEX PRODUCT SPECIFICATION PS-75221-999 FOR PERFORMANCE SPECIFICATIONS.
4. THE SPECIFIED KEEP-OUT ZONE IS REQUIRED FOR CONNECTOR REPAIRABILITY.
5. THE ESD GROUND CLIP AND PLATED THROUGH HOLE APPLIES TO THE ESD GROUND MODULE ONLY. THE UNGROUNDED GUIDE MODULES USES A $\phi 2.45 \pm 0.10$ UNPLATED SCREW HOLE.
6. THREAD FORMING SCREW TORQUE SPECIFICATION: 2.5 \pm 0.5 IN./LBS.
9. RECOMMENDED CIRCUIT BOARD THICKNESS: 1.5-3.2mm. FOR OTHER BOARD THICKNESSES CONSULT FACTORY.
10. RECOMMENDED MOUNTING SCREW:
CIRCUIT BOARD THICKNESS 1.5-2.5mm: 73726-0005
CIRCUIT BOARD THICKNESS 2.5-3.2mm: 73726-0000



KEY POSITION		GUIDE ASSEMBLY PART NUMBER (USES HOUSING AND BUSHING)	GROUND ASSEMBLY PART NUMBER (USES HOUSING, BUSHING, CONTACT)
A		75377-0411	75377-5411
B		75377-0412	75377-5412
C		75377-0413	75377-5413
D		75377-0414	75377-5414
E		75377-0415	75377-5415
F		75377-0416	75377-5416
G		75377-0417	75377-5417
H		75377-0418	75377-5418
NONE		(75377-0013)	75377-5013



REVISED EC NO: UCP2010-1625 DRWN: BINGHAM 2010/01/06 CHKD: LAURX 2010/01/06 APPR: LAURX 2010/02/01 REV DESCRIPTION	QUALITY SYMBOLS ▽=0 ▽=0	GENERAL TOLERANCES (UNLESS SPECIFIED)	DIMENSION STYLE MM ONLY	SCALE 3:1	DESIGN UNITS METRIC	THIRD ANGLE PROJECTION							
		<table border="1"> <tr> <th>mm</th> <th>INCH</th> </tr> <tr> <td>4 PLACES ± ---</td> <td>± ---</td> </tr> <tr> <td>3 PLACES ± ---</td> <td>± ---</td> </tr> <tr> <td>2 PLACES ± ---</td> <td>± ---</td> </tr> <tr> <td>1 PLACE ± ---</td> <td>± ---</td> </tr> </table> ANGULAR ± 3 °	mm	INCH	4 PLACES ± ---	± ---	3 PLACES ± ---	± ---	2 PLACES ± ---	± ---	1 PLACE ± ---	± ---	DRAWN BY DATE ELO 2005/12/29 CHECKED BY DATE MYCZEK 2005/12/29 APPROVED BY DATE JLAURX 2010/02/01
mm	INCH												
4 PLACES ± ---	± ---												
3 PLACES ± ---	± ---												
2 PLACES ± ---	± ---												
1 PLACE ± ---	± ---												
DRAFT WHERE APPLICABLE MUST REMAIN WITHIN DIMENSIONS	MATERIAL NO. SEE CHART	DOCUMENT NO. SD-75377-001	SHEET NO. 1 OF 1										
THIS DRAWING CONTAINS INFORMATION THAT IS PROPRIETARY TO MOLEX INCORPORATED AND SHOULD NOT BE USED WITHOUT WRITTEN PERMISSION													