

PLEASE CHECK WWW.MOLEX.COM FOR LATEST PART INFORMATION

Part Number: [0743003155](#)
Status: **Active**
Overview: [hdm](#)
Description: 2.00mm (.079") Pitch HDM® Board-to-Board Daughtercard Receptacle, Vertical, Signal Module, with Guide, 144 Circuits, Mounted Height 15.00mm (.591"), Press-Fit Pin Length 3.50mm (.138")

Documents:

[3D Model](#) [Product Specification PS-73780-999 \(PDF\)](#)
[Drawing \(PDF\)](#) [RoHS Certificate of Compliance \(PDF\)](#)

General

Product Family	Backplane Connectors
Series	74300
Application	Daughtercard, Mezzanine
Component Type	PCB Receptacle
Overview	hdm
Product Name	HDM®
Style	N/A

Physical

Circuits (Loaded)	144
Circuits (maximum)	144
Color - Resin	Black
Durability (mating cycles max)	250
First Mate / Last Break	No
Guide to Mating Part	Yes
Keying to Mating Part	None
Material - Metal	Copper-Nickel-Tin
Material - Plating Mating	Gold
Material - Plating Termination	Tin-Lead
Material - Resin	High Temperature Thermoplastic
Number of Columns	24
Number of Pairs	Open Pin Field
Number of Rows	6
Orientation	Vertical
PC Tail Length (in)	0.138 In
PC Tail Length (mm)	3.50 mm
PCB Locator	No
PCB Retention	None
PCB Thickness Recommended (in)	0.063 In
PCB Thickness Recommended (mm)	1.60 mm
Packaging Type	Tube
Pitch - Mating Interface (in)	0.079 In
Pitch - Mating Interface (mm)	2.00 mm
Pitch - Term. Interface (in)	0.079 In
Pitch - Term. Interface (mm)	2.00 mm
Plating min: Mating (µin)	30
Plating min: Mating (µm)	0.76
Plating min: Termination (µin)	30
Plating min: Termination (µm)	.88
Polarized to PCB	No
Stackable	Yes
Surface Mount Compatible (SMC)	Yes
Temperature Range - Operating	-55°C to +105°C
Termination Interface: Style	Through Hole - Compliant Pin

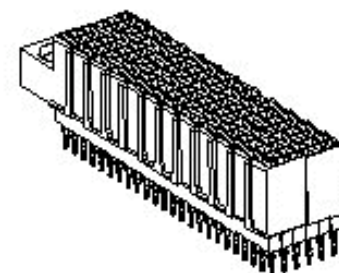


image - Reference only

Series

EU RoHS

RoHS Compliant by Exemption
REACH SVHC
Contains SVHC: No
Halogen-Free
Status
Not Reviewed

China RoHS



Need more information on product environmental compliance?

Email productcompliance@molex.com
 For a multiple part number RoHS Certificate of Compliance, [click here](#)

Please visit the [Contact Us](#) section for any non-product compliance questions.

Search Parts in this Series

[74300Series](#)

Mates With

HDM® Board-to-Board Backplane Header
[73642](#) , [73643](#) , [73644](#) , [74349](#) , [74428](#) ,
[73769](#) , [73781](#) , [73770](#) , [73782](#) , [73783](#) ,
[73771](#)

Electrical

Current - Maximum per Contact	1A
Data Rate	1.0 Gbps
Real Signals (per 25mm)	76
Shielded	Yes
Voltage - Maximum	250V AC

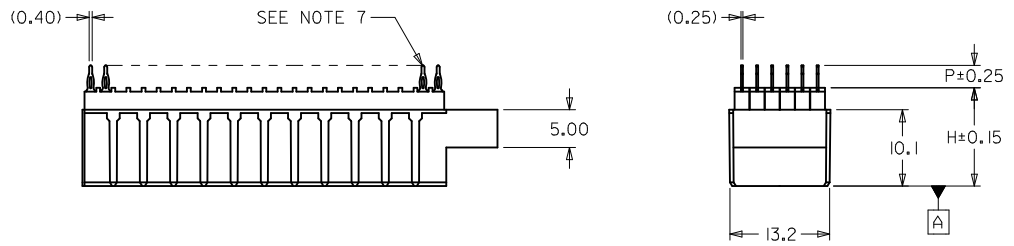
Material Info**Reference - Drawing Numbers**

Product Specification	PS-73780-999
Sales Drawing	SD-74300-002

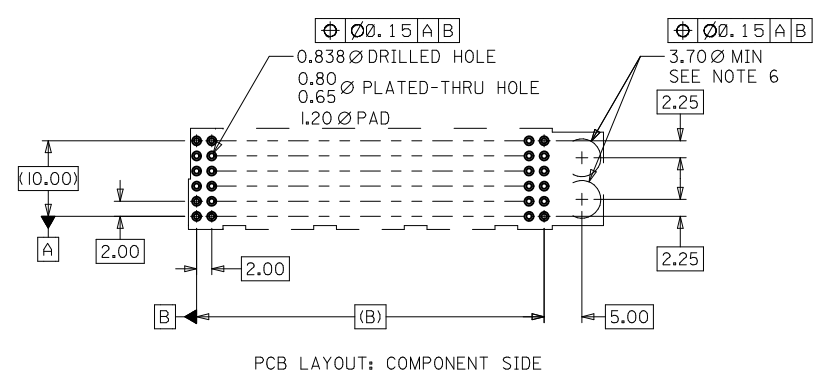
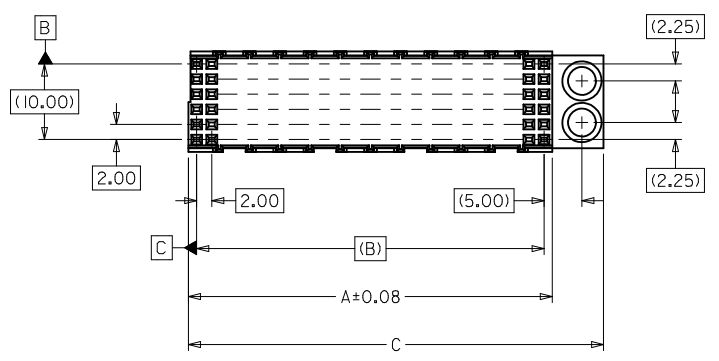
HDM and High Density Metric are trademarks of Amphenol Corporation

This document was generated on 05/15/2010

PLEASE CHECK WWW.MOLEX.COM FOR LATEST PART INFORMATION

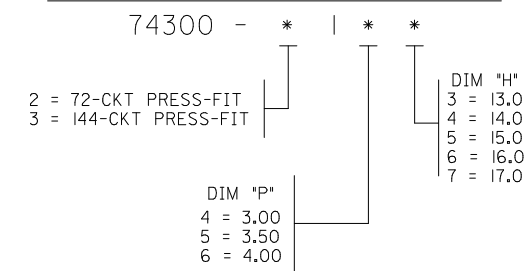


- NOTES:
1. MATERIALS: HOUSING - LIQUID CRYSTAL POLYMER (LCP) BLACK
TERMINALS - HIGH PERFORMANCE COPPER ALLOY
 2. FINISH: SELECTIVE GOLD (Au) IN CONTACT AREA.
2.50 MICROMETER MINIMUM THICKNESS.
SELECTIVE TIN/LEAD (Sn/Pb) ON PRESS FIT TAILS.
0.88 MICROMETER MINIMUM THICKNESS.
NICKEL OVERALL.
 3. THIS PART CONFORMS TO MOLEX PRODUCT SPEC PS-73780-999.
 4. 144 CKT STACKING MODULE SHOWN FOR ILLUSTRATION PURPOSES.
SEE CHART FOR TABULATED DIMENSIONS.
 5. 74300-***7 PARTS TO BE PACKAGED IN TUBES PER PK-70873-0872.
ALL OTHER PARTS TO BE PACKAGED IN TUBES PER PK-70873-0900.
 6. DEPENDING ON APPLICATION, THIS HOLE MAY BE NEEDED FOR
CLEARANCE OF BACKPLANE GUIDE PIN. LOCATION OF HOLE WILL
DEPEND ON LOCATION OF GUIDE PIN.
 7. TRUE POSITION OF TAILS IS INSPECTED USING GAGE NUMBER
73727-0014.
 8. THIS PART CONFORMS TO MOLEX COSMETIC SPEC PS-45499-002 CLASS B.



PCB LAYOUT: COMPONENT SIDE

MATERIAL NUMBER ASSIGNMENT



74300 - 31**	144	48.17	46.00	54.95
74300 - 21**	72	24.17	22.00	30.95
MATERIAL NUMBER	CIRCUIT SIZE	DIM A	DIM B	DIM C

UPDATE TO LEADED ONLY EC NO: UCP2010-1860 DRWN: JELTON 2010/01/25 CHKD: SDANNELLEY 2006/02/14 APPR: SMILLER 2010/02/08	QUALITY SYMBOLS ▽=0 ▽=0 ▽=0	GENERAL TOLERANCES (UNLESS SPECIFIED)		DIMENSION STYLE MM ONLY		SCALE	DESIGN UNITS METRIC	THIRD ANGLE PROJECTION		
		4 PLACES ± ---	± ---	mm	INCH	DRAWN BY	DATE	TITLE SALES ASSY, HDM LEADED DAUGHTERCARD STACKING MODULE, GUIDE OPTION		
		3 PLACES ± ---	± ---			CHECKED BY	DATE	MOLEX MOLEX INCORPORATED		
		2 PLACES ± ---	± ---			SREED	2006/02/14	DOCUMENT NO. SD-74300-002		
		1 PLACE ± --- ± ---		APPROVED BY SMILLER 2010/02/08		SHEET NO. 1 OF 1				
		ANGULAR ±1/2°		MATERIAL NO. SEE TABLE		THIS DRAWING CONTAINS INFORMATION THAT IS PROPRIETARY TO MOLEX INCORPORATED AND SHOULD NOT BE USED WITHOUT WRITTEN PERMISSION				
		DRAFT WHERE APPLICABLE MUST REMAIN WITHIN DIMENSIONS		SIZE C						