

**PLEASE CHECK WWW.MOLEX.COM FOR LATEST PART INFORMATION**

**Part Number:** **0559320710**  
**Status:** **Active**  
**Overview:** microclasp  
**Description:** 2.00mm (.079") Pitch MicroClasp™ Wire-to-Board Header, Single Row, Vertical, 7 Circuits, with PCB Locator

**Documents:**

[3D Model](#) [Product Specification PS-51382-004 \(PDF\)](#)  
[Drawing \(PDF\)](#) [RoHS Certificate of Compliance \(PDF\)](#)

**General**

Product Family	PCB Headers
Series	<a href="#">55932</a>
Application	Wire-to-Board
Overview	<a href="#">microclasp</a>
Product Name	MicroClasp™

**Physical**

Breakaway	No
Circuits (Loaded)	7
Circuits (maximum)	7
Color - Resin	Natural
Durability (mating cycles max)	30
First Mate / Last Break	No
Glow-Wire Compliant	No
Guide to Mating Part	No
Keying to Mating Part	None
Lock to Mating Part	Yes
Material - Plating Mating	Tin
Material - Plating Termination	Tin
Material - Resin	Polyester
Number of Rows	1
Orientation	Vertical
PC Tail Length (in)	0.126 In
PC Tail Length (mm)	3.20 mm
PCB Locator	Yes
PCB Retention	Yes
PCB Thickness Recommended (in)	0.062 In
PCB Thickness Recommended (mm)	1.60 mm
Packaging Type	Tray
Pitch - Mating Interface (in)	0.079 In
Pitch - Mating Interface (mm)	2.00 mm
Shrouded	Fully
Stackable	No
Surface Mount Compatible (SMC)	No
Temperature Range - Operating	-25°C to +85°C
Termination Interface: Style	Through Hole

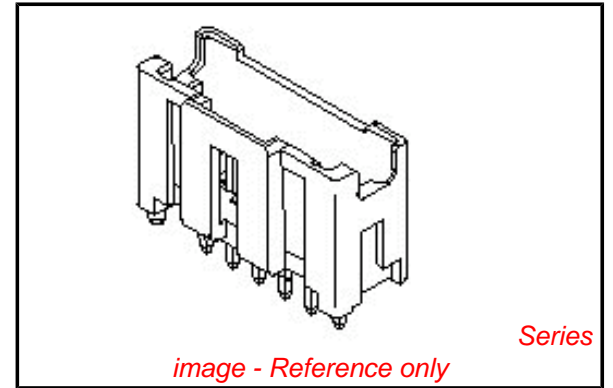
**Electrical**

Current - Maximum per Contact	3A
Voltage - Maximum	250V

**Material Info**

**Reference - Drawing Numbers**

Packaging Specification	SPK-55932-001
-------------------------	---------------



**EU RoHS**

**ELV and RoHS Compliant**  
**REACH SVHC Contains SVHC: No**  
**Halogen-Free Status**  
**Not Halogen-Free**

**China RoHS**



**Need more information on product environmental compliance?**

Email [productcompliance@molex.com](mailto:productcompliance@molex.com)  
 For a multiple part number RoHS Certificate of Compliance, [click here](#)

Please visit the [Contact Us](#) section for any non-product compliance questions.

**Search Parts in this Series**

[55932Series](#)

**Mates With**

[51382](#) MicroClasp™ Wire-to-Board Receptacle Housing

Product Specification

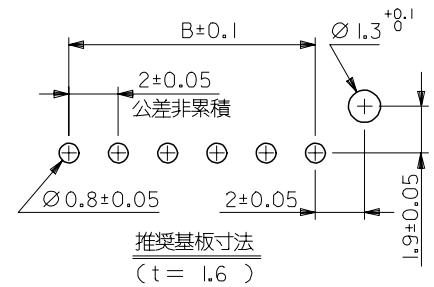
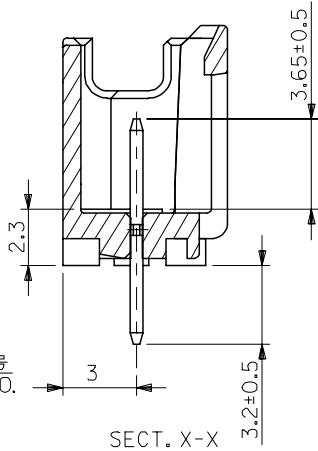
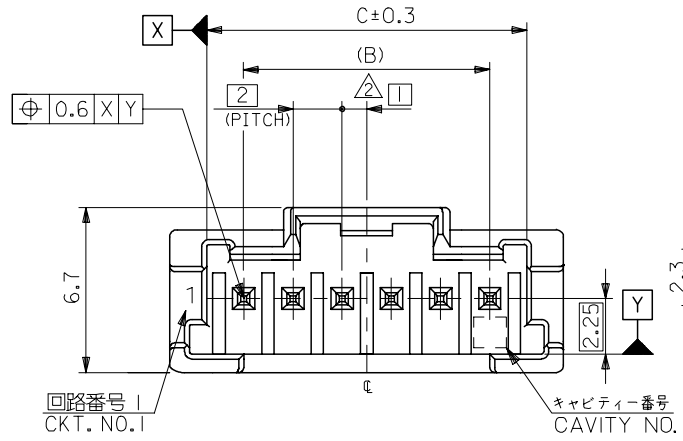
PS-51382-004, RPS-51382-006, RPS-51382-007,  
RPS-51382-008, RPS-51382-009, RPS-51382-010,  
RPS-51382-011, RPS-51382-012, RPS-51382-013,  
RPS-51382-014  
SD-55932-002

Sales Drawing

This document was generated on 05/25/2010

**PLEASE CHECK [WWW.MOLEX.COM](http://WWW.MOLEX.COM) FOR LATEST PART INFORMATION**

10 9 8 7 6 5 4 3 2 1



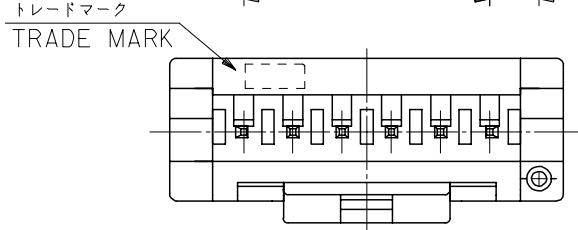
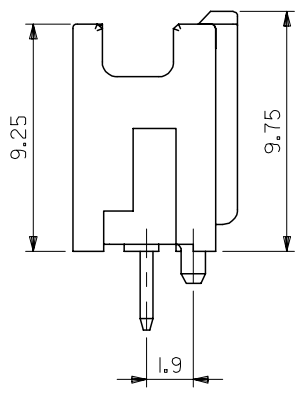
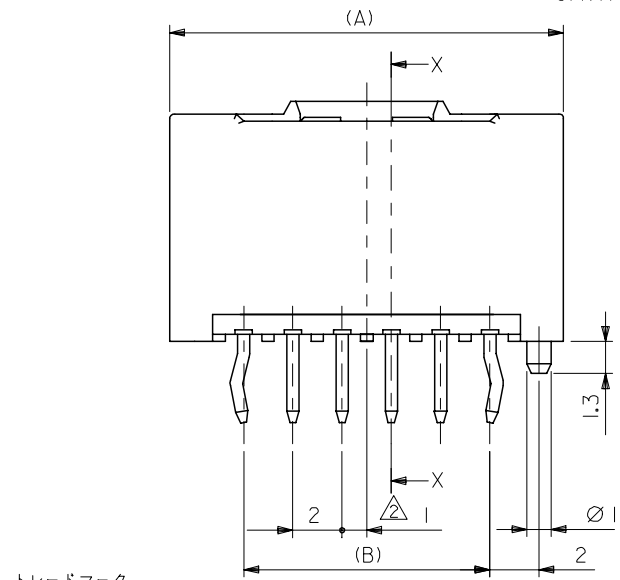
NOTE  
 1. 嵌合相手: 51382シリーズ  
 2. 偶数極(列)に適用。  
 3. キングは両外側の位置に付加。  
 4. 製品番号 MATERIAL NO.

55932-\*\*\*\*

極数 CIRCUIT SIZE 色 COLOR

10	自然色(白) NATURAL(WHITE)
11	黒 BLACK
12	赤 RED
13	黄 YELLOW
14	青 BLUE
15	桃 PINK
16	緑 GREEN
17	茶 BROWN
18	橙 ORANGE
19	紫 VIOLET
41	灰 GRAY
43	蛍光黄 FLUORESCENCE YELLOW
44	水 PALE BLUE
46	黄緑 YELLOWISH GREEN

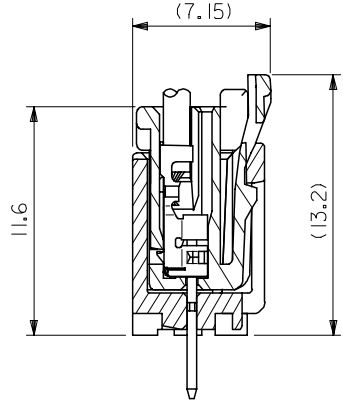
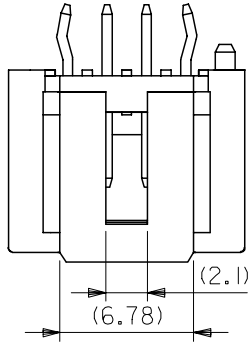
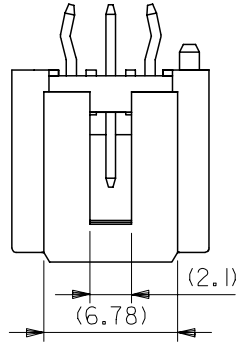
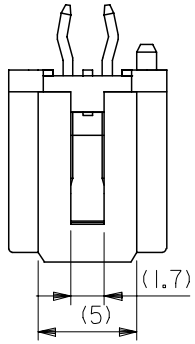
31	28	34	55932-15**	15
29	26	32	55932-14**	14
27	24	30	55932-13**	13
25	22	28	55932-12**	12
23	20	26	55932-11**	11
21	18	24	55932-10**	10
19	16	22	55932-09**	9
17	14	20	55932-08**	8
15	12	18	55932-07**	7
13	10	16	55932-06**	6
11	8	14	55932-05**	5
9	6	12	55932-04**	4
7	4	10	55932-03**	3
5	2	8	55932-02**	2
C	B	A	MATERIAL NO.	CKT.
MODEL NO.: 55932-****				



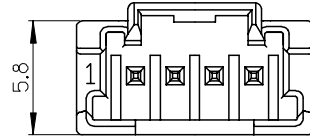
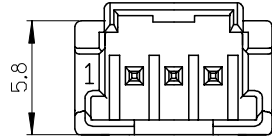
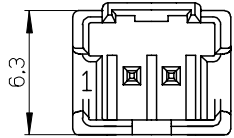
MATERIAL  
 ピン : 黄銅、錫メッキ  
 ハウジング : PBT

REVISED EC NO: J2006-3014 DRWN: NABE 2006/03/28 CHKD: KTOYODA 2006/05/08 APPR: NUKITA 2006/05/08	GENERAL TOLERANCES (UNLESS SPECIFIED)		DIMENSION STYLE MM ONLY		SCALE ---	DESIGN UNITS METRIC	THIRD ANGLE PROJECTION
	10 UNDER	±0.2	DRAWN BY DATE T. NIITSU '02/02/08		TITLE 2.0 W/B SINGLE CONN. PLUG HOUSING ASS'Y ST -LEAD FREE-		
	10 OVER 30 UNDER	±0.25	CHECKED BY DATE K. ASAKAWA '03/06/12		MOLEX INCORPORATED		
	30 OVER	±0.3	APPROVED BY DATE T. YAMAGUCHI '03/06/12		DOCUMENT NO. SD-55932-002		
	ANGULAR	±3 °	MATERIAL NO. SEE CHART		SHEET NO. 1 OF 2		
DRAFT WHERE APPLICABLE MUST REMAIN WITHIN DIMENSIONS		SIZE A3		THIS DRAWING CONTAINS INFORMATION THAT IS PROPRIETARY TO MOLEX INCORPORATED AND SHOULD NOT BE USED WITHOUT WRITTEN PERMISSION			

10 9 8 7 6 5 4 3 2 1



嵌合断面図



2 CIRCUIT

3 CIRCUIT

4 CIRCUIT 以上

MODEL NO. : 55932-\*\*\*\*

REVISED EC NO: J2006-3014 DRWN: NABEI 2006/03/28 CHKDK: TOYODA 2006/05/08 APPR: NUKITA 2006/05/08	GENERAL TOLERANCES (UNLESS SPECIFIED)		DIMENSION STYLE MM ONLY	SCALE ---	DESIGN UNITS METRIC	THIRD ANGLE PROJECTION
	10 UNDER	±0.2	DRAWN BY T. NIITSU	DATE '02/02/08	TITLE 2.0 W/B SINGLE CONN. PLUG HOUSING ASS'Y ST -LEAD FREE-	
	10 OVER 30 UNDER	±0.25	CHECKED BY K. ASAKAWA	DATE '03/06/12	MOLEX INCORPORATED	
	30 OVER	±0.3	APPROVED BY T. YAMAGUCHI	DATE '03/06/12	DOCUMENT NO. SD-55932-002	SHEET NO. 2 OF 2
	ANGULAR	±3 °	MATERIAL NO. SEE CHART	THIS DRAWING CONTAINS INFORMATION THAT IS PROPRIETARY TO MOLEX INCORPORATED AND SHOULD NOT BE USED WITHOUT WRITTEN PERMISSION		
DRAFT WHERE APPLICABLE MUST REMAIN WITHIN DIMENSIONS						