

PLEASE CHECK WWW.MOLEX.COM FOR LATEST PART INFORMATION

Part Number: **0559320330**
Status: **Active**
Overview: microclasp
Description: 2.00mm (.079") Pitch MicroClasp™ Wire-to-Board Header, Single Row, Vertical, 3 Circuits, without PCB Locator

Documents:

[3D Model](#) [Product Specification PS-51382-004 \(PDF\)](#)
[Drawing \(PDF\)](#) [RoHS Certificate of Compliance \(PDF\)](#)

General

| | |
|----------------|----------------------------|
| Product Family | PCB Headers |
| Series | 55932 |
| Application | Wire-to-Board |
| Overview | microclasp |
| Product Name | MicroClasp™ |

Physical

| | |
|--------------------------------|----------------|
| Breakaway | No |
| Circuits (Loaded) | 3 |
| Circuits (maximum) | 3 |
| Color - Resin | Natural |
| Durability (mating cycles max) | 30 |
| First Mate / Last Break | No |
| Glow-Wire Compliant | No |
| Guide to Mating Part | No |
| Keying to Mating Part | None |
| Lock to Mating Part | Yes |
| Material - Plating Mating | Tin |
| Material - Plating Termination | Tin |
| Material - Resin | Polyester |
| Number of Rows | 1 |
| Orientation | Vertical |
| PC Tail Length (in) | 0.126 In |
| PC Tail Length (mm) | 3.20 mm |
| PCB Locator | No |
| PCB Retention | Yes |
| PCB Thickness Recommended (in) | 0.062 In |
| PCB Thickness Recommended (mm) | 1.60 mm |
| Packaging Type | Tray |
| Pitch - Mating Interface (in) | 0.079 In |
| Pitch - Mating Interface (mm) | 2.00 mm |
| Shrouded | Fully |
| Stackable | No |
| Surface Mount Compatible (SMC) | No |
| Temperature Range - Operating | -25°C to +85°C |
| Termination Interface: Style | Through Hole |

Electrical

| | |
|-------------------------------|------|
| Current - Maximum per Contact | 3A |
| Voltage - Maximum | 250V |

Material Info

Reference - Drawing Numbers

| | |
|-------------------------|---------------|
| Packaging Specification | SPK-55932-001 |
|-------------------------|---------------|

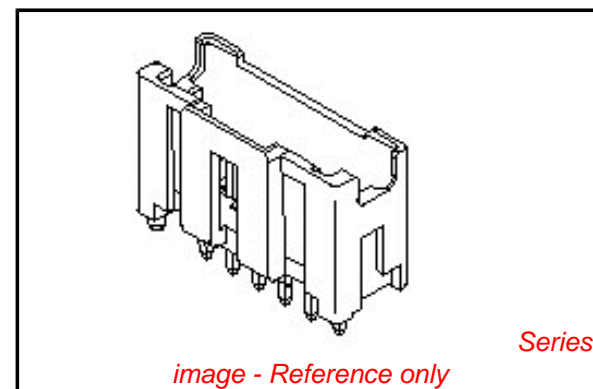


image - Reference only

EU RoHS

ELV and RoHS Compliant
REACH SVHC Contains SVHC: No
Halogen-Free Status

China RoHS



Not Reviewed

Need more information on product environmental compliance?

Email productcompliance@molex.com
 For a multiple part number RoHS Certificate of Compliance, [click here](#)

Please visit the [Contact Us](#) section for any non-product compliance questions.

Search Parts in this Series

[55932Series](#)

Mates With

[51382 MicroClasp™ Wire-to-Board Receptacle Housing](#)

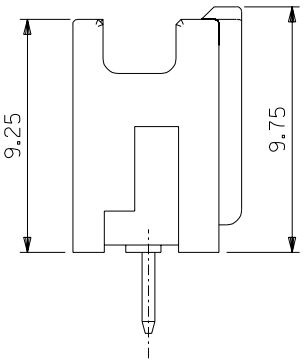
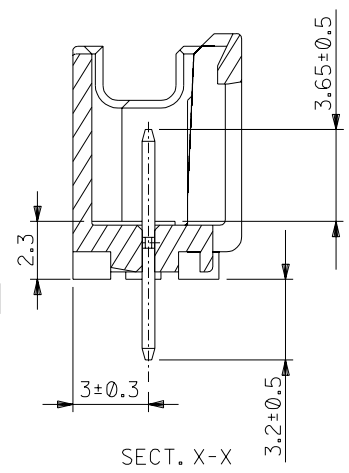
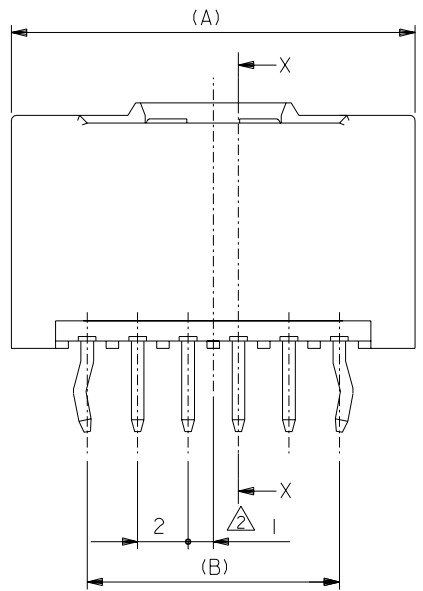
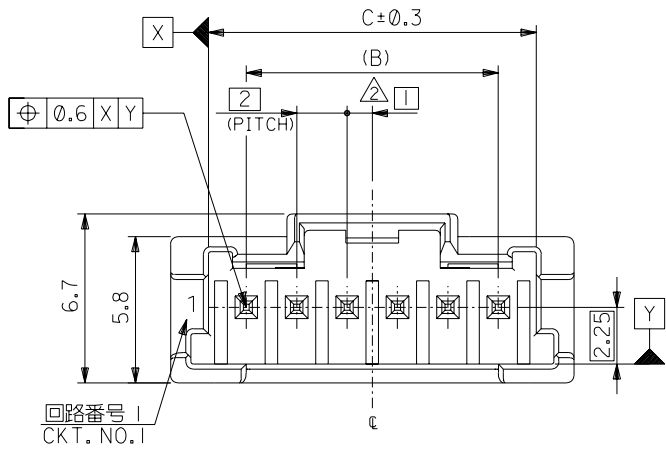
Product Specification

Sales Drawing

PS-51382-004, RPS-51382-006, RPS-51382-007,
RPS-51382-008, RPS-51382-009, RPS-51382-010,
RPS-51382-012, RPS-51382-013, RPS-51382-014
SD-55932-006, SD-55932-007

This document was generated on 05/25/2010

PLEASE CHECK WWW.MOLEX.COM FOR LATEST PART INFORMATION



NOTE

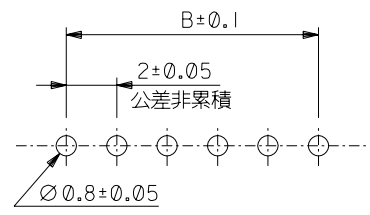
- 1. 嵌合相手: 51382-****
- △ 偶数極 (列) に適用。
- 3. キンフは両外側の位置に付加。
- △ 製品番号 MATERIAL NO.

55932-****

極数 CIRCUIT SIZE

色 COLOR

| | |
|----|----------------------------|
| 30 | 自然色 (白) NATURAL (WHITE) |
| 31 | 黒 BLACK |
| 32 | 赤 RED |
| 33 | 黄 YELLOW |
| 34 | 青 BLUE |
| 35 | 桃 PINK |
| 36 | 緑 GREEN |
| 37 | 茶 BROWN |
| 38 | 橙 ORANGE |
| 39 | 紫 VIOLET |
| 51 | 灰 GRAY |
| 53 | 蛍光黄 FLUORESCENT YELLOW |
| 54 | 水 PALE BLUE |
| 55 | 蛍光桃 FLUORESCENT PINK |
| 56 | 黄緑 YELLOWISH GREEN |
| 58 | 蛍光橙 FLUORESCENT ORANGE |



推奨基板寸法
(t = 1.6)

| | | | | |
|----|----|----|----------------|------|
| 31 | 28 | 34 | 55932-15** | 15 |
| 29 | 26 | 32 | 55932-14** | 14 |
| 27 | 24 | 30 | 55932-13** | 13 |
| 25 | 22 | 28 | 55932-12** | 12 |
| 23 | 20 | 26 | 55932-11** | 11 |
| 21 | 18 | 24 | 55932-10** | 10 |
| 19 | 16 | 22 | 55932-09** | 9 |
| 17 | 14 | 20 | 55932-08** | 8 |
| 15 | 12 | 18 | 55932-07** | 7 |
| 13 | 10 | 16 | 55932-06** | 6 |
| 11 | 8 | 14 | 55932-05** | 5 |
| 9 | 6 | 12 | 55932-04** | 4 |
| 7 | 4 | 10 | 55932-03** | 3 |
| 5 | 2 | 8 | 55932-02** | 2 |
| C | B | A | △ MATERIAL NO. | CKT. |

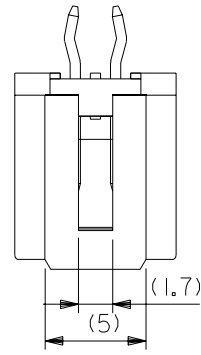
DO NOT SCALE DRAWING

| | | |
|---|---|---|
| REVISED '04/05/31 #62NO. J2004-4514 DRWN: M. ERIGUCHI CHK: K. ASAKAWA APPR: S. ICHIKAWA | REVISED '03/06/12 #61NO. J2003-3127 DRWN: N. ITO CHK: K. ASAKAWA APPR: T. YAMAGUCHI | REVISED '03/04/04 #60NO. J2003-2421 DRWN: N. ITO CHK: K. ASAKAWA APPR: T. YAMAGUCHI |
| G | F | E |

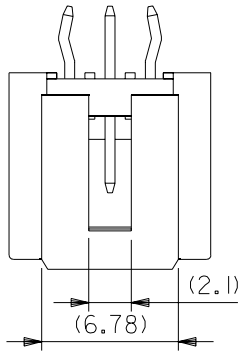
| | | | |
|---|---------------|----------------------|--------------------|
| MATERIAL 材料 ピン: 黄銅、ニッケル下地錫メッキ ハウジング: PBT | FINISH 仕上り | WIRE RANGE 適用線径範囲 | INS. RANGE 被覆外径 |
|---|---------------|----------------------|--------------------|

| | | | |
|---|---|--|--|
| GENERAL TOLERANCES: (UNLESS SPECIFIED) 一般公差 | SCALE | DESIGN UNITS <input checked="" type="checkbox"/> mm <input type="checkbox"/> INCH | PROJECTION <input checked="" type="checkbox"/> 1st ANGLE <input type="checkbox"/> 3rd ANGLE |
| 10 UNDER 未満 ±0.2 | DRAWN BY & DATE T. NIITSU '02/2/8 | 10 OVER 以上 ±0.25 | CHECKED BY & DATE K. ASAKAWA '03/6/12 |
| 30 UNDER 未満 ±0.25 | 30 OVER 以上 ±0.3 | APPROVED BY & DATE T. YAMAGUCHI '03/6/12 | CAD FILENAME SD-55932-006.S01 |
| ANGLE 角度 ±3° | TITLE: 2.0 W/B SINGLE CONN. PLUG HOUSING ASS'Y ST -LEAD FREE- | | |

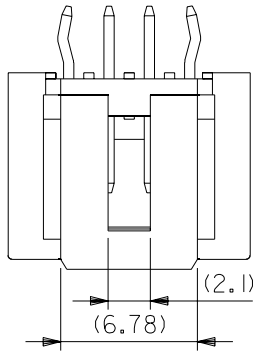
| | | | | |
|--|--|--------------------------|-----|------------------|
| MODEL NO.: 55932-**** | DIMENSIONS: <input type="checkbox"/> mm <input type="checkbox"/> INCH | | SHT | REV |
| MATERIAL NO. 55932-**** | | DRAWING NO. SD-55932-006 | | SHEET NO. 1 of 2 |
| MOLEX MOLEX INCORPORATED | | | | |
| THIS DRAWING CONTAINS INFORMATION THAT IS PROPRIETARY TO MOLEX INCORPORATED AND SHOULD NOT BE USED WITHOUT WRITTEN PERMISSION. | | | | |



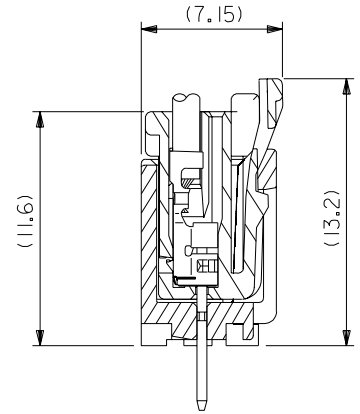
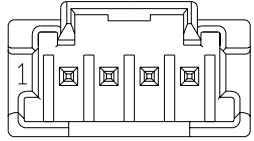
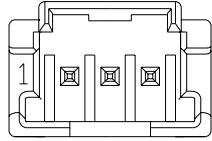
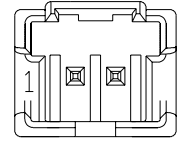
2 CIRCUIT



3 CIRCUIT



4 CIRCUIT



嵌合断面図

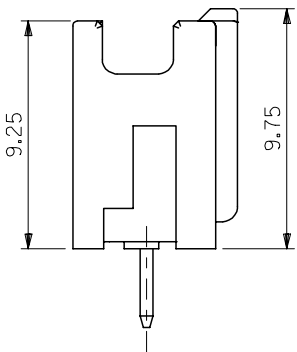
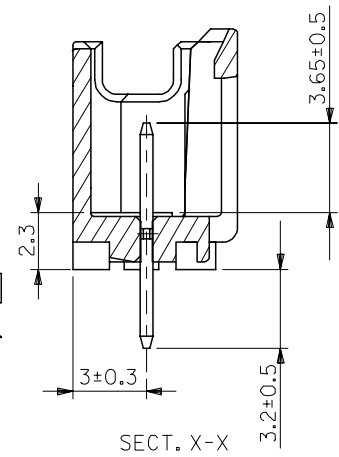
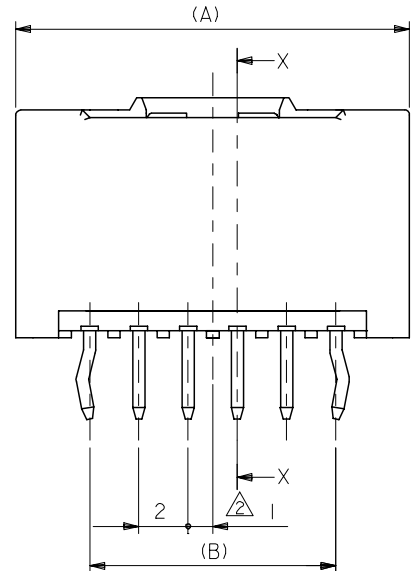
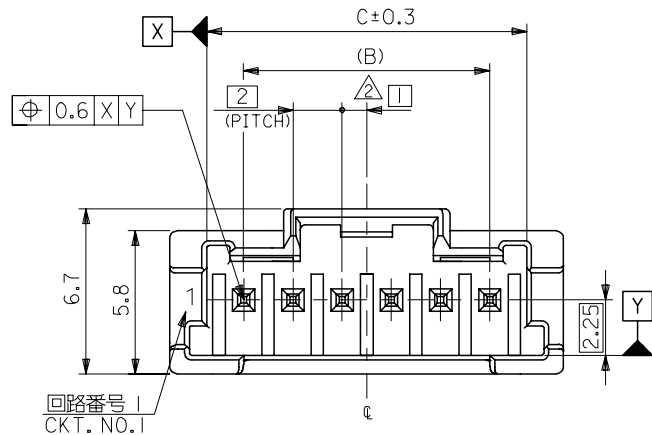
DO NOT SCALE DRAWING

| | | | | |
|-----------------------------|-----------------------------|---|--|--|
| E64NO. DRWN: CH'K: APPR: | E63NO. DRWN: CH'K: APPR: | REVISED '04/05/31 E62NO. J2004-4514 DRWN: M.ERIGUCHI CH'K: K.ASAKAWA APPR: S.ICHIKAWA | REVISED '03/06/12 E61NO. J2003-3127 DRWN: N.IITO CH'K: K.ASAKAWA APPR: T.YAMAGUCHI | REVISED '03/04/04 E60NO. J2003-2421 DRWN: N.IITO CH'K: K.ASAKAWA APPR: T.YAMAGUCHI |
| SEE SHEET 1 OF 2 | | | | |
| FINISH 仕上り | | | | |
| WIRE RANGE 適用導線範囲 | | | | |
| INS. RANGE 被覆外径 | | | | |

| | |
|-------------------|-----------------------------|
| MATERIAL 材料 | SEE SHEET 1 OF 2 |
| FINISH 仕上り | SEE SHEET 1 OF 2 |
| WIRE RANGE 適用導線範囲 | |
| INS. RANGE 被覆外径 | |

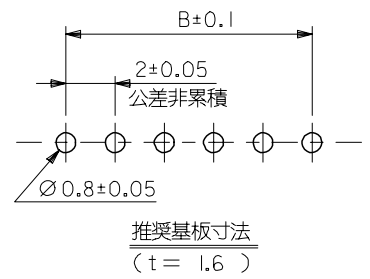
| | |
|---|-------|
| GENERAL TOLERANCES: (UNLESS SPECIFIED) 一般公差 | |
| 10 UNDER 未満 | ±0.2 |
| 10 OVER 以上 30 UNDER 未満 | ±0.25 |
| 30 OVER 以上 | ±0.3 |
| ANGLE 角度 | ±3° |

| | | | | | |
|--|--|--|---|------|-----|
| MODEL NO.: 55932-**** | | DIMENSIONS: | | SHT | REV |
| SCALE | DESIGN UNITS <input checked="" type="checkbox"/> mm <input type="checkbox"/> INCH | <input type="checkbox"/> mm <input type="checkbox"/> INCH | <input checked="" type="checkbox"/> mm ONLY | | |
| DRAWN BY & DATE T.NIITSU '02/2/8 | | TITLE: 2.0 W/B SINGLE CONN. PLUG HOUSING ASS'Y ST -LEAD FREE- | | | |
| CHECKED BY & DATE K.ASAKAWA '03/6/12 | | MOLEX INCORPORATED MATERIAL NO. 55932-**** DRAWING NO. SD-55932-006 SHEET NO. 2 of 2 | | | |
| APPROVED BY & DATE T.YAMAGUCHI '03/6/12 | | | | | |
| CAD FILENAME SD-55932-006.S02 | | THIS DRAWING CONTAINS INFORMATION THAT IS PROPRIETARY TO MOLEX INCORPORATED AND SHOULD NOT BE USED WITHOUT WRITTEN PERMISSION. | | | |
| | | | | SIZE | B |



NOTE

- 1. 嵌合相手：51382-****
- △ 偶数極 (列) に適用。
- 3. キングは両外側の位置に付加。
- 4. ピン：黄銅、ニッケル下地錫メッキ
ハウジング：PBT
- △ 適合リテーナー：500638シリーズ
APPLICABLE RETAINER：500638 SERIES.
- △ 製品番号 MATERIAL NO.



55932-****

極数 CIRCUIT SIZE 色 COLOR

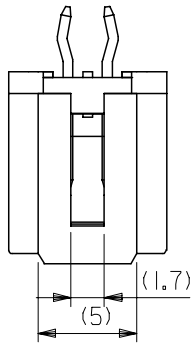
| | | |
|----|---------|--------------------|
| 30 | 自然色 (白) | NATURAL (WHITE) |
| 31 | 黒 | BLACK |
| 32 | 赤 | RED |
| 33 | 黄 | YELLOW |
| 34 | 青 | BLUE |
| 35 | 桃 | PINK |
| 36 | 緑 | GREEN |
| 37 | 茶 | BROWN |
| 38 | 橙 | ORANGE |
| 39 | 紫 | VIOLET |
| 51 | 灰 | GRAY |
| 53 | 蛍光黄 | FLUORESCENT YELLOW |
| 54 | 水 | PALE BLUE |
| 55 | 蛍光桃 | FLUORESCENT PINK |
| 56 | 黄緑 | YELLOWISH GREEN |
| 58 | 蛍光橙 | FLUORESCENT ORANGE |

| | | | | |
|----|----|----|------------|----|
| 31 | 28 | 34 | 55932-15** | 15 |
| 29 | 26 | 32 | 55932-14** | 14 |
| 27 | 24 | 30 | 55932-13** | 13 |
| 25 | 22 | 28 | 55932-12** | 12 |
| 23 | 20 | 26 | 55932-11** | 11 |
| 21 | 18 | 24 | 55932-10** | 10 |
| 19 | 16 | 22 | 55932-09** | 9 |
| 17 | 14 | 20 | 55932-08** | 8 |
| 15 | 12 | 18 | 55932-07** | 7 |
| 13 | 10 | 16 | 55932-06** | 6 |
| 11 | 8 | 14 | 55932-05** | 5 |
| 9 | 6 | 12 | 55932-04** | 4 |
| 7 | 4 | 10 | 55932-03** | 3 |
| 5 | 2 | 8 | 55932-02** | 2 |

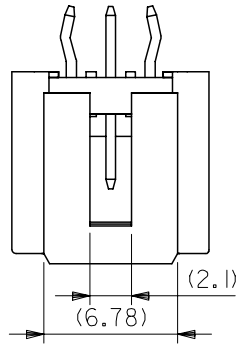
MODEL NO.: 55932-****

| | | | | | | |
|---|---------------------------------------|---------|-----------------|--------------|---|------------------------|
| RELEASED EC NO: J2006-1522 DRWN: MAEDA 2005/11/08 CHKD: NUKITA 2005/11/08 APPR: NUKITA 2005/11/09 | GENERAL TOLERANCES (UNLESS SPECIFIED) | | DIMENSION STYLE | SCALE | DESIGN UNITS | THIRD ANGLE PROJECTION |
| | | | MM ONLY | --- | METRIC | |
| | 10 UNDER | ±0.2 | DRAWN BY | DATE | TITLE | |
| | 10 OVER 30 UNDER | ±0.25 | YMAEDA | 2005/06/13 | 2.0 W/B CONN.PLUG HOUSING ASS'Y WO BOSS -LEAD FREE- | |
| | 30 OVER | ±0.3 | CHECKED BY | DATE | MOLEX INCORPORATED | |
| ANGULAR | ±3 ° | MTANAKA | 2005/06/13 | APPROVED BY | DATE | DOCUMENT NO. |
| | | NUKITA | 2005/06/13 | NUKITA | 2005/06/13 | SD-55932-007 |
| | | | | MATERIAL NO. | | SHEET NO. |
| | | | | SEE CHART | | 1 OF 2 |
| | | | | SIZE | THIS DRAWING CONTAINS INFORMATION THAT IS PROPRIETARY TO MOLEX INCORPORATED AND SHOULD NOT BE USED WITHOUT WRITTEN PERMISSION | |
| | | | | A3 | | |

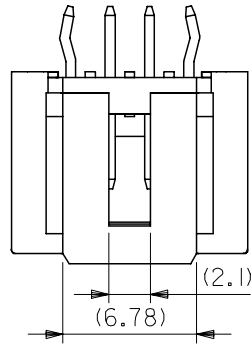
10 9 8 7 6 5 4 3 2 1



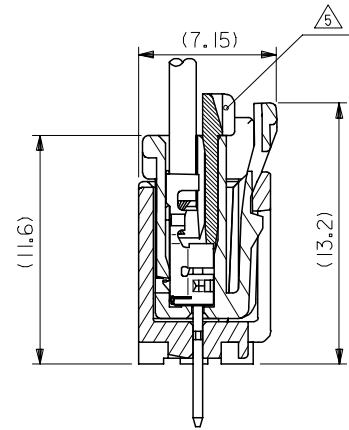
(5) (1.7)



(6.78) (2.1)

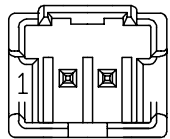


(6.78) (2.1)

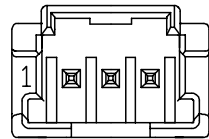


(7.15) (11.6) (13.2)

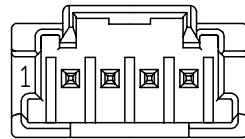
嵌合断面図



2 CIRCUIT



3 CIRCUIT



4 CIRCUIT

MODEL NO. : 55932-****

| | | | | | | |
|--|---------------------------------------|---|----------------------------|--------------------|--|------------------------|
| RELEASED EC NO: J2006-1522 DRWN: MAEDA 2005/11/08 CHK: NUKITA 2005/11/08 APPR: NUKITA 2005/11/09 | GENERAL TOLERANCES (UNLESS SPECIFIED) | | DIMENSION STYLE MM ONLY | SCALE --- | DESIGN UNITS METRIC | THIRD ANGLE PROJECTION |
| | 10 UNDER | ± 0.2 | DRAWN BY YMAEDA | DATE 2005/06/13 | TITLE 2.0 W/B CONN.PLUG HOUSING ASS'Y WO BOSS -LEAD FREE- | |
| | 10 ^{OVER} 30 UNDER | ± 0.25 | CHECKED BY MTANAKA | DATE 2005/06/13 | MOLEX INCORPORATED | |
| | 30 ^{OVER} | ± 0.3 | APPROVED BY NUKITA | DATE 2005/06/13 | DOCUMENT NO. SD-55932-007 | SHEET NO. 2 OF 2 |
| | ANGULAR ±3 ° | | MATERIAL NO. SEE CHART | | | |
| DRAFT WHERE APPLICABLE MUST REMAIN WITHIN DIMENSIONS | | THIS DRAWING CONTAINS INFORMATION THAT IS PROPRIETARY TO MOLEX INCORPORATED AND SHOULD NOT BE USED WITHOUT WRITTEN PERMISSION | | | | |