

PLEASE CHECK WWW.MOLEX.COM FOR LATEST PART INFORMATION

Part Number: [0039302056](#)
Status: **Active**
Overview: [minifit_jr](#)
Description: 4.20mm (.165") Pitch Mini-Fit Jr.™ Header, Single Row, Vertical, with Snap-in Plastic Peg PCB Lock, 5 Circuits, PA Polyamide Nylon 6/6, UL 94V-0, Tin (Sn) Plating, with Drain Holes

Documents:

[3D Model](#) [Product Specification PS-5556-001 \(PDF\)](#)
[Drawing \(PDF\)](#) [RoHS Certificate of Compliance \(PDF\)](#)

Agency Certification

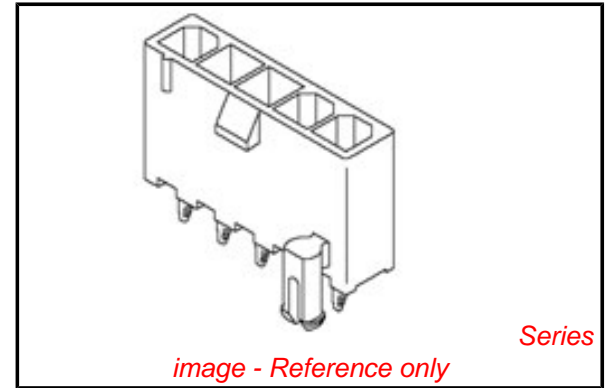
CSA	LR19980
TUV	R72081037
UL	E29179

General

Product Family	PCB Headers
Series	5566
Application	Wire-to-Board
Comments	Current = 13A max. per circuit when header is mated to a receptacle loaded with 45750 Mini-Fit Plus HCS™ Crimp Terminal Crimped to to 16 AWG wire. . See Molex product specification PS-45750-001 for additional current de-rating information.. High Temperature, Square Pin, Solder Type
Overview	minifit_jr
Product Name	Mini-Fit Jr.™

Physical

Breakaway	No
Circuits (Loaded)	5
Circuits (maximum)	5
Color - Resin	Natural
Durability (mating cycles max)	30
First Mate / Last Break	No
Flammability	94V-0
Glow-Wire Compliant	No
Guide to Mating Part	No
Keying to Mating Part	None
Lock to Mating Part	Yes
Material - Metal	Brass
Material - Plating Mating	Tin
Material - Plating Termination	Tin
Material - Resin	Nylon
Number of Rows	1
Orientation	Vertical
PC Tail Length (in)	0.138 In
PC Tail Length (mm)	3.50 mm
PCB Locator	Yes
PCB Retention	Yes
PCB Thickness Recommended (in)	0.062 In
PCB Thickness Recommended (mm)	1.60 mm
Packaging Type	Tray
Pitch - Mating Interface (in)	0.165 In
Pitch - Mating Interface (mm)	4.20 mm



EU RoHS

ELV and RoHS Compliant
REACH SVHC
 Not Reviewed
Halogen-Free Status

China RoHS



Need more information on product environmental compliance?

Email productcompliance@molex.com
 For a multiple part number RoHS Certificate of Compliance, [click here](#)

Please visit the [Contact Us](#) section for any non-product compliance questions.

Search Parts in this Series

[5566Series](#)

Mates With

[5557](#) Mini-Fit Jr.™ Receptacle Housing

Pitch - Term. Interface (in)	0.165 In
Pitch - Term. Interface (mm)	4.20 mm
Plating min: Mating (µin)	355.6
Plating min: Mating (µm)	8.89
Plating min: Termination (µin)	355.6
Plating min: Termination (µm)	8.89
Polarized to Mating Part	Yes
Polarized to PCB	Yes
Shrouded	Fully
Stackable	No
Surface Mount Compatible (SMC)	No
Temperature Range - Operating	-40°C to +105°C
Termination Interface: Style	Through Hole

Electrical

Current - Maximum per Contact	13A
Voltage - Maximum	600V

Solder Process Data

Duration at Max. Process Temperature (seconds)	5
Lead-free Process Capability	Wave Capable (TH only)
Max. Cycles at Max. Process Temperature	1
Process Temperature max. C	240

Material Info

Old Part Number	5566-05B3-210
-----------------	---------------

Reference - Drawing Numbers

Packaging Specification	PK-5566-002
Product Specification	PS-5556-001
Sales Drawing	SDA-5566-NL*
Test Summary	TS-5556-002

This document was generated on 05/21/2010

PLEASE CHECK WWW.MOLEX.COM FOR LATEST PART INFORMATION

NOTES:

1. MATERIALS:

HOUSING:

BLANK=NYLON 6/6, UL94 V-2, COLOR: NATURAL

210=NYLON 6/6, UL94 V-0, COLOR: NATURAL

BL=NYLON 6/6, UL94 V-2, COLOR: BLACK

TERMINALS:

BRASS

2. TERMINAL PLATING:

BLANK=.000035/(0.00090) MIN. BRIGHT TIN OVER

.000020/(0.00050) MIN. COPPER

*GS2=.000015/(0.00038) MIN. SELECT GOLD AND

.000100/(0.00254) MIN. SELECT MATTE TIN

OVER .000050/(0.00127) MIN. NICKEL OVERALL

*GS=.000030/(0.00076) MIN. SELECT GOLD AND

.000100/(0.00254) MIN. SELECT MATTE TIN

OVER .000050/(0.00127) MIN. NICKEL OVERALL

S=.000100/(0.00254) MIN. BRIGHT TIN OVER

.000050/(0.00127) MIN. NICKEL

*THE PRIMARY SHIPPING CARTON WILL BE LABELED

"ELV AND RoHS COMPLIANT", CARTONS WITHOUT

THIS LABEL MAY CONTAIN PRODUCT WITH

TIN-LEAD PLATING.

3. PRODUCT SPECIFICATION: PS-5556-001

4. PACKAGING: TRAY PACKED PER PK-5566-002

5. PART MATES WITH MINI-FIT JR. RECEPTACLE NO. 5557.

6. PART IS NOT DESIGNED FOR CURRENT SHARING.

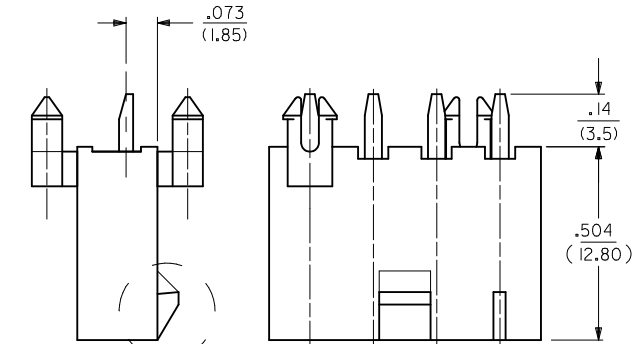
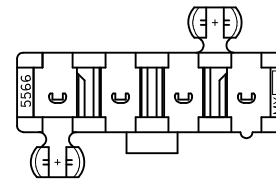
7. PARTS ARE NOT TO BE MATED OR UN-MATED WHILE

CIRCUITS ARE LIVE.

8. PART CONFORMS TO CLASS "B" REQUIREMENTS OF

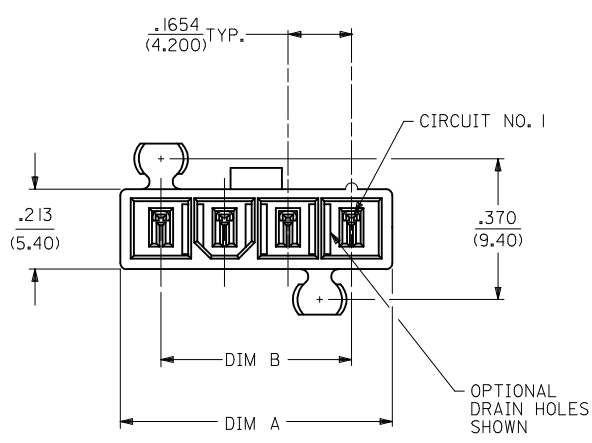
COSMETIC SPECIFICATION PS-45499-002.

CKT SIZE	DIM A	DIM B
4	.709 (18.00)	.496 (12.60)
5	.874 (22.20)	.661 (16.80)
6	1.039 (26.40)	.827 (21.00)
7	1.205 (30.60)	.992 (25.20)
8	1.370 (34.80)	1.157 (29.40)
9	1.535 (39.00)	1.323 (33.60)
10	1.701 (43.20)	1.488 (37.80)
11	1.866 (47.40)	1.654 (42.00)
12	2.031 (51.60)	1.819 (46.20)



LOCK OPTION

POSITIVE LOCK PASSIVE LOCK



LEGEND:

5566 - N * * * * *

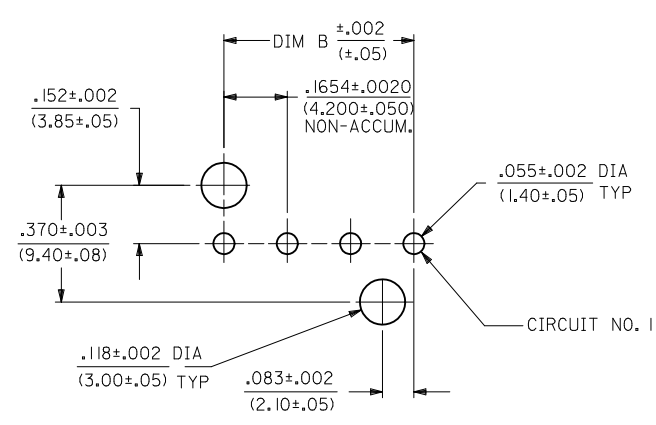
CIRCUIT SIZE (04-12)

ASSEMBLY TYPE
A=W/O DRAIN HOLES
B=WITH DRAIN HOLES

PEG AND LOCK OPTION
3=MTG. PEGS, POSITIVE LOCK
4=MTG. PEGS, PASSIVE LOCK

PLATING (SEE NOTE 2)

HOUSING MAT'L (SEE NOTE 1)



RECOMMENDED HOLE LAYOUT FOR .070/(1.78) MAX. THICK P. C. BOARD VIEWED FROM COMPONENT SIDE

ADD PART #S EC NO: UCP2010-1922 DRWN:TBENES 2009/02/10 CHKD:JBELL 2010/02/12 APPR:FSMITH 2010/02/15	QUALITY SYMBOLS ▽=0 ▽=0	GENERAL TOLERANCES (UNLESS SPECIFIED)	DIMENSION STYLE IN/MM	SCALE 1:1	DESIGN UNITS METRIC	THIRD ANGLE PROJECTION
		4 PLACES ± --- ± --- 3 PLACES ± --- ± .015 2 PLACES ± 0.38 ± --- 1 PLACE ± --- ± --- ANGULAR ± 1/2°	DRAWN BY DATE KSS 1989/02/19 CHECKED BY DATE JTR 1989/02/19 APPROVED BY DATE RAS 1989/02/19	TITLE VERTICAL HEADER ASSY W/ & W/O PEG & DRAIN HOLE MINI-FIT JR SINGLE ROW	MOLEX INCORPORATED	SHEET NO. 1 OF 4
DRAFT WHERE APPLICABLE MUST REMAIN WITHIN DIMENSIONS	MATERIAL NO. SEE CHART	DOCUMENT NO. SDA-5566-NL*	THIS DRAWING CONTAINS INFORMATION THAT IS PROPRIETARY TO MOLEX INCORPORATED AND SHOULD NOT BE USED WITHOUT WRITTEN PERMISSION			

A
B
C
D
E
F
G
H
I
J


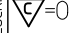
13	12	11	10	9	8	7	6	5	4	3	2	1	
PASSIVE LOCK WITH MTG. PEGS, 94V-2 BLACK HOUSING						PASSIVE LOCK WITH MTG. PEGS, 94V-2 HOUSING MATERIAL						BLACK HOUSING	
PART NO	ENG NO	CKT DRAIN SIZE HOLE	PLATING OPTION	PART NO	ENG NO	CKT DRAIN SIZE HOLE	PLATING OPTION	PART NO	ENG NO	CKT DRAIN SIZE HOLE	PART NO	ENG NO	CKT DRAIN SIZE HOLE
50-29-1528	5566-04A3-BL	04 NO	TIN OVER COPPER										
50-29-1529	5566-05A3-BL	05 NO	TIN OVER COPPER										
50-29-1530	5566-06A3-BL	06 NO	TIN OVER COPPER										
50-29-1531	5566-07A3-BL	07 NO	TIN OVER COPPER										
50-29-1532	5566-08A3-BL	08 NO	TIN OVER COPPER										
50-29-1533	5566-09A3-BL	09 NO	TIN OVER COPPER										
50-29-1534	5566-10A3-BL	10 NO	TIN OVER COPPER										
50-29-1535	5566-11A3-BL	11 NO	TIN OVER COPPER										
50-29-1536	5566-12A3-BL	12 NO	TIN OVER COPPER										
26-01-3162	5566-04A3S-BL	04 NO	TIN OVER NICKEL										
26-01-3163	5566-05A3S-BL	05 NO	TIN OVER NICKEL										
		06											
		07											
		08											
		09											
		10											
		11											
		12											
		04											
		05											
		06											
		07											
		08											
		09											
		10											
		11											
		12											
		04											
		05											
		06											
		07											
		08											
		09											
		10											
		11											
		12											
		04											
		05											
		06											
		07											
		08											
		09											
		10											
		11											
		12											
		04											
		05											
		06											
		07											
		08											
		09											
		10											
		11											
		12											

13	12	11	10	9	8	7	6	5	4	3	2	1	
PASSIVE LOCK WITH MTG. PEGS, 94V-2 HOUSING MATERIAL						PASSIVE LOCK WITH MTG. PEGS, 94V-2 HOUSING MATERIAL						BLACK HOUSING	
PART NO	ENG NO	CKT DRAIN SIZE HOLE	PLATING OPTION	PART NO	ENG NO	CKT DRAIN SIZE HOLE	PLATING OPTION	PART NO	ENG NO	CKT DRAIN SIZE HOLE	PART NO	ENG NO	CKT DRAIN SIZE HOLE
39-30-5049	5566-04B3S	04 YES	TIN OVER NICKEL										
NO EDP	5566-05B3S	05 YES	TIN OVER NICKEL										
NO EDP	5566-06B3S	06 YES	TIN OVER NICKEL										
NO EDP	5566-07B3S	07 YES	TIN OVER NICKEL										
NO EDP	5566-08B3S	08 YES	TIN OVER NICKEL										
NO EDP	5566-09B3S	09 YES	TIN OVER NICKEL										
NO EDP	5566-10B3S	10 YES	TIN OVER NICKEL										
NO EDP	5566-11B3S	11 YES	TIN OVER NICKEL										
NO EDP	5566-12B3S	12 YES	TIN OVER NICKEL										
50-36-2453	5566-04A3S	04 NO	TIN OVER NICKEL										
50-36-2454	5566-05A3S	05 NO	TIN OVER NICKEL										
		06											
		07											
		08											
		09											
		10											
		11											
		12											
		04											
		05											
		06											
		07											
		08											
		09											
		10											
		11											
		12											
		04											
		05											
		06											
		07											
		08											
		09											
		10											
		11											
		12											
		04											
		05											
		06											
		07											
		08											
		09											
		10											
		11											
		12											

SEE SHEET 1
EC NO: UCP2010-1922
DRAWN: TBENES
CHKD: JBELL
APPR: FSMITH

2009/02/12
2010/02/12
2010/02/15

REV	DESCRIPTION
M	

QUALITY SYMBOLS



GENERAL TOLERANCES (UNLESS SPECIFIED)

	mm	INCH
4 PLACES	± 0.25	± 0.010
3 PLACES	± 0.15	± 0.006
2 PLACES	± 0.10	± 0.004
1 PLACE	± 0.05	± 0.002
ANGULAR	± 1.0°	

DRAFT WHERE APPLICABLE
MUST REMAIN
WITHIN DIMENSIONS

DIMENSION STYLE: IN/MM
SCALE: 1:1
DESIGN UNITS: METRIC
THIRD ANGLE PROJECTION

TITLE: VERTICAL HEADER ASSY W/ PEG AND DRAIN OPTIONS MINI-FIT JR SINGLE ROW

APPROVED BY: RAS
DATE: 1989/07/13

MATERIAL NO. SEE CHART
DOCUMENT NO. SDA-5566-NL*
SHEET NO. 3 OF 4

THIS DRAWING CONTAINS INFORMATION THAT IS PROPRIETARY TO MOLEX INCORPORATED AND SHOULD NOT BE USED WITHOUT WRITTEN PERMISSION