

**PLEASE CHECK WWW.MOLEX.COM FOR LATEST PART INFORMATION**

**Part Number:** [5013340000](#)  
**Status:** **Active**  
**Overview:** [picoclasp](#)  
**Description:** 1.00mm (.039") Pitch Pico-Clasp™ Wire-to-Board Crimp Terminal, 28-32 AWG, Lead-free, Tin Plating, Reel

**Documents:**

[3D Model](#) [Product Specification PS-501940-001 \(PDF\)](#)  
[Drawing \(PDF\)](#) [RoHS Certificate of Compliance \(PDF\)](#)  
[Product Specification PS-501331-001 \(PDF\)](#)

**General**

Product Family Crimp Terminals  
 Series [501334](#)  
 Crimp Quality Equipment Yes  
 Overview [picoclasp](#)  
 Product Name Pico-Clasp™

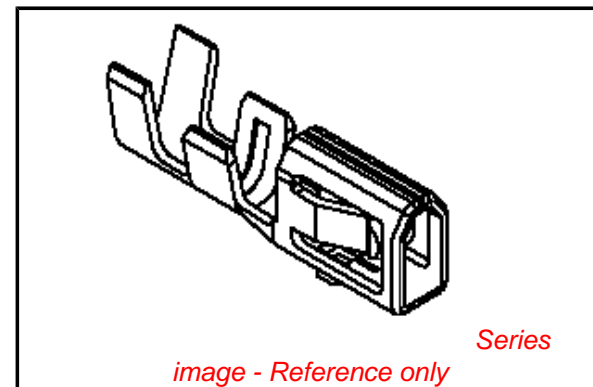
**Physical**

Gender Receptacle  
 Material - Metal Phosphor Bronze  
 Material - Plating Mating Tin  
 Material - Plating Termination Tin  
 Packaging Type Reel  
 Plating min: Mating (µin) 40.00  
 Plating min: Mating (µm) 1.000  
 Plating min: Termination (µin) 40.00  
 Plating min: Termination (µm) 1.00  
 Termination Interface: Style Crimp or Compression  
 Wire Insulation Diameter 0.80mm (.031") max.  
 Wire Size AWG 28, 30, 32  
 Wire Size mm² N/A

**Material Info**

**Reference - Drawing Numbers**

Packaging Specification [SPK-501334-001](#)  
 Product Specification [PS-501331-001](#), [PS-501940-001](#), [RPS-501331-001](#),  
[RPS-501331-002](#), [RPS-501331-003](#), [RPS-501331-005](#),  
[RPS-501331-006](#), [RPS-501331-007](#), [RPS-501568-002](#),  
[RPS-501940-001](#), [RPS-501940-002](#), [RPS-501940-003](#),  
[RPS-501940-004](#)  
 Sales Drawing [SD-501334-001](#)



**EU RoHS**

**ELV and RoHS  
 Compliant**  
**REACH SVHC  
 Contains SVHC: No**  
**Halogen-Free  
 Status**

**China RoHS**



**Need more information on product  
 environmental compliance?**

Email [productcompliance@molex.com](mailto:productcompliance@molex.com)  
 For a multiple part number RoHS Certificate of  
 Compliance, [click here](#)

Please visit the [Contact Us](#) section for any  
 non-product compliance questions.

**Search Parts in this Series**

[501334Series](#)

**Mates With**

[501331](#) PCB Header

**Use With**

[501330](#) Crimp Housing

**Application Tooling | FAQ**

*Tooling specifications and manuals are  
 found by selecting the products below.  
 Crimp Height Specifications are then  
 contained in the Application Tooling  
 Specification document.*

**Global**

Description	Product #
Fine Adjust™ Applicator for 1.00mm (.039") Pitch Wire-to-Board Crimp Terminal	<a href="#">0639019400</a>
Hand Crimp Tool for 1.00mm (.039")	<a href="#">0638191500</a>

Pico-Clasp™ Wire-  
to-Board Crimp  
Terminal, 28-32  
AWG  
T2 Terminator Die 0638583000

**Japan**

**Description** **Product #**

Applicator for M211A 5780163000

Bench Press, 28-32

AWG, for 501193

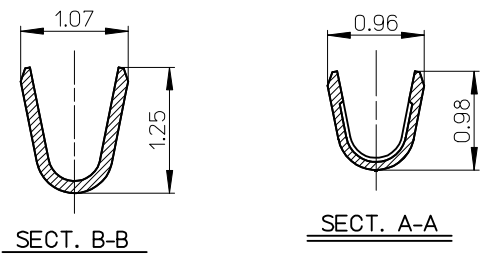
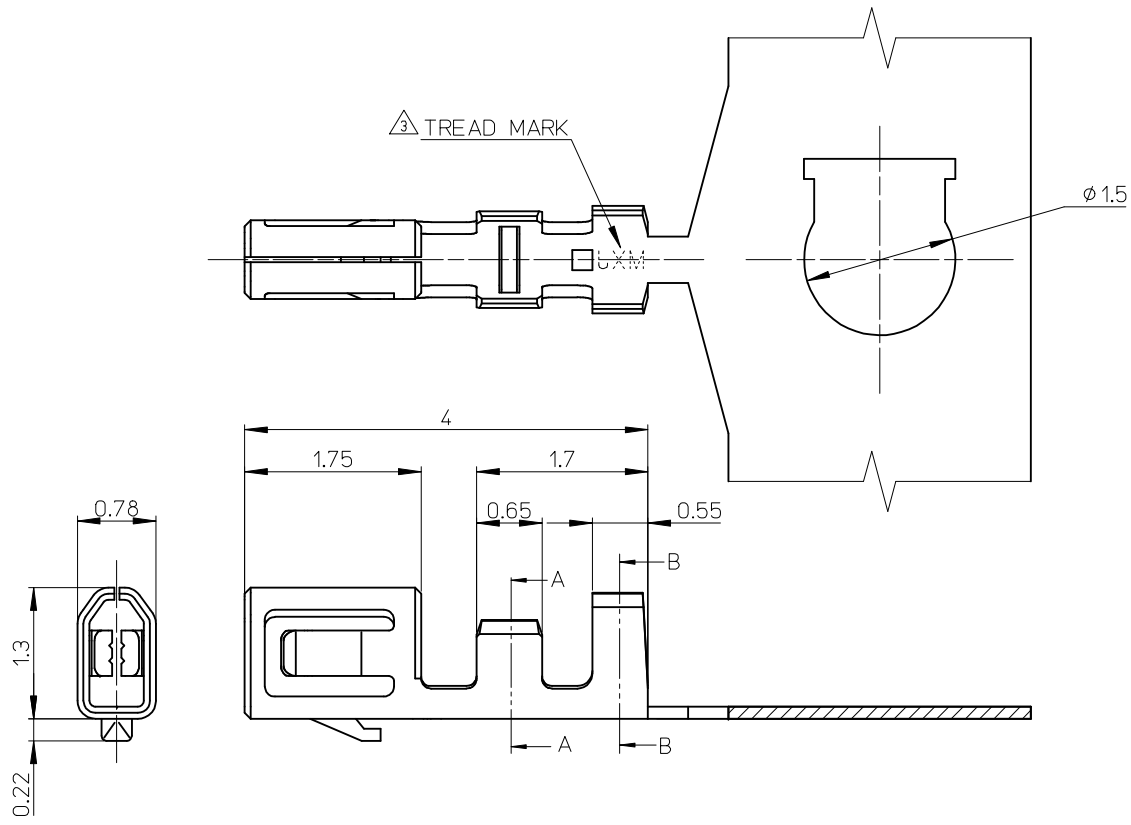
and 501334 Crimp

Terminal

Hand Extraction Tool 5780166000

This document was generated on 05/24/2010

**PLEASE CHECK [WWW.MOLEX.COM](http://WWW.MOLEX.COM) FOR LATEST PART INFORMATION**



SECT. B-B

SECT. A-A

NOTES.

- 適合ハウジング: 501330-\*\*\*\* / 501939-\*\*\*\*  
APPLICABLE HOUSING: 501330-\*\*\*\* / 501939-\*\*\*\*
- メッキ仕様  
PLATING  
錫メッキ: 1.0μmMIN. リフロー処理(前メッキ)  
Sn: 1.0μmMIN. REFLOW TREATMENT (PRE-PLATED)
- 刻印は裏面から実施  
PUNCH SIDE: OTHER SIDE  
MXJ  金型番号(番号無しの製品もあります.)  
Die No. (There is Non-Mark Item)  
TREAD MARK

501334-0100	バラ状 LOOSE
501334-0000	連鎖状 CHAIN
MATERIAL NO.	端子形状 FORM

MATERIAL リン青銅 PHOSPHOR BRONZE t=0.12	REVISED EC NO.: J2009-0651 DRW: NAKATA 2008/09/16 CHK: MATSUMOTO 2008/09/16 APP: NUKITA 2008/09/16	GENERAL TOLERANCES (UNLESS SPECIFIED)	DIMENSION STYLE MM ONLY	SCALE 20:1	DESIGN UNITS METRIC	THIRD ANGLE PROJECTION
FINISH SEE NOTE		10 UNDER ±0.2	DRAWN BY NYOSHIDA	DATE 2004/07/29	TITLE 1.0 WIRE TO BOARD CONN. CRIMP REC TERMINAL (SN) -LEAD FREE-	
WIRE RANGE AWG #28-32		10 OVER 30 UNDER ±0.25	CHECKED BY MYAGI	DATE 2004/07/29	MOLEX INCORPORATED	
INS. RANGE φ0.4-0.8		30 OVER ±0.3	APPROVED BY MIYAZAWA	DATE 2004/07/29	DOCUMENT NO. SD-501334-001	SHEET NO. 1 OF 1
		ANGULAR ±3°	MATERIAL NO. SEE TABLE	THIS DRAWING CONTAINS INFORMATION THAT IS PROPRIETARY TO MOLEX INCORPORATED AND SHOULD NOT BE USED WITHOUT WRITTEN PERMISSION		
		DRAFT WHERE APPLICABLE MUST REMAIN WITHIN DIMENSIONS	SIZE A3			