

**PLEASE CHECK WWW.MOLEX.COM FOR LATEST PART INFORMATION**

**Part Number:** [0365380004](#)  
**Status:** **Active**  
**Overview:** [mlx](#)  
**Description:** 6.35mm (.250") Pitch MLX™ Power Connector Header, Vertical, with Compliant Polarizing Peg, 3 Circuits, Unreinforced Polyester 94V-0, White

**Documents:**

[3D Model](#) [Product Specification PSX-42002-0001 \(PDF\)](#)  
[Drawing \(PDF\)](#) [RoHS Certificate of Compliance \(PDF\)](#)

**General**

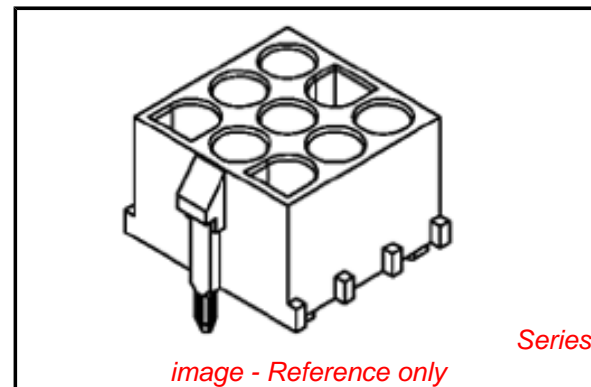
Product Family	PCB Headers
Series	<a href="#">36538</a>
Application	Wire-to-Board
Overview	<a href="#">mlx</a>
Product Name	MLX™

**Physical**

Breakaway	No
Circuits (Loaded)	3
Circuits (maximum)	3
Circuits Detail	With Compliant Polarizing Peg
Color - Resin	Natural
Durability (mating cycles max)	50
First Mate / Last Break	No
Glow-Wire Compliant	No
Guide to Mating Part	No
Keying to Mating Part	None
Lock to Mating Part	Yes
Material - Metal	Phosphor Bronze
Material - Plating Mating	Tin-Lead
Material - Resin	Polyester
Number of Rows	1
Orientation	Vertical
PCB Locator	Yes
PCB Retention	Yes
PCB Thickness Recommended (in)	0.062 In
PCB Thickness Recommended (mm)	1.57 mm
Packaging Type	Bag
Pitch - Mating Interface (in)	0.250 In
Pitch - Mating Interface (mm)	6.35 mm
Pitch - Term. Interface (in)	0.250 In
Pitch - Term. Interface (mm)	6.35 mm
Plating min: Mating (µin)	20
Plating min: Mating (µm)	0.51
Polarized to Mating Part	Yes
Polarized to PCB	Yes
Shrouded	Fully
Stackable	No
Surface Mount Compatible (SMC)	No
Temperature Range - Operating	-55°C to +105°C
Termination Interface: Style	Through Hole

**Electrical**

Current - Maximum per Contact	12A
Voltage - Maximum	600V



*image - Reference only*

**EU RoHS** **China RoHS**

**Compliance Status**

**Not Reviewed**

**REACH SVHC**

**Not Reviewed**

**Halogen-Free**

**Status**

**Not Reviewed**

**Need more information on product environmental compliance?**

Email [productcompliance@molex.com](mailto:productcompliance@molex.com)  
 For a multiple part number RoHS Certificate of Compliance, [click here](#)

Please visit the [Contact Us](#) section for any non-product compliance questions.

**Search Parts in this Series**

[36538Series](#)

**Material Info**

**Reference - Drawing Numbers**

Product Specification

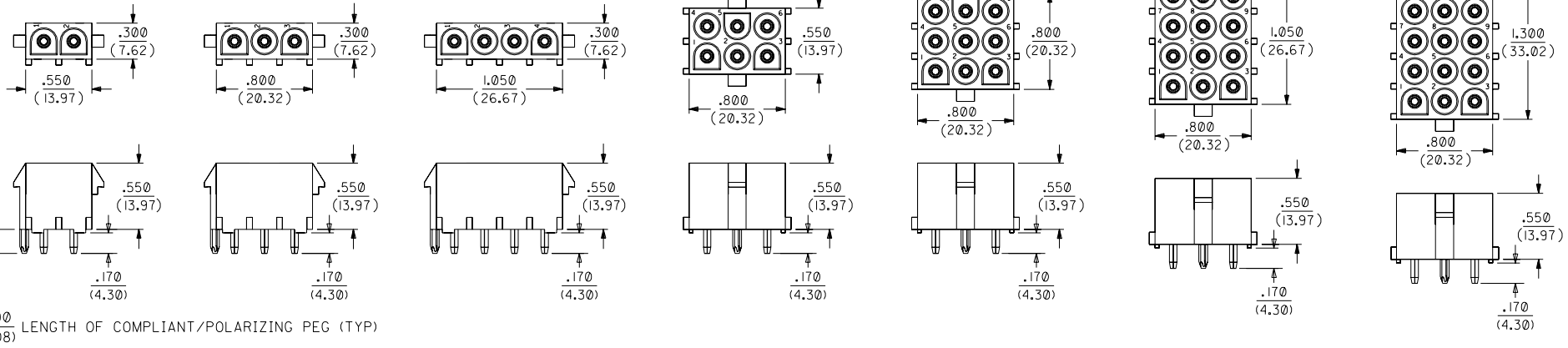
Sales Drawing

PSX-42002-0001

SD-36538-001

This document was generated on 05/24/2010

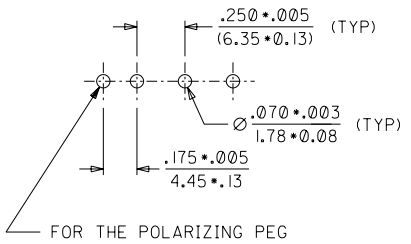
**PLEASE CHECK [WWW.MOLEX.COM](http://WWW.MOLEX.COM) FOR LATEST PART INFORMATION**



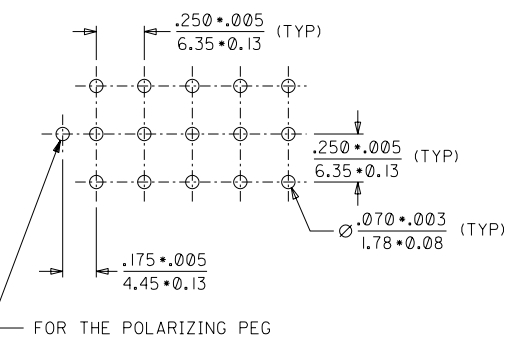
$\frac{.200}{(5.08)}$  LENGTH OF COMPLIANT/POLARIZING PEG (TYP)

**P.C. BOARD  
MOUNTING DIMENSIONS**

**2, 3 & 4 POSITION HEADER ASSEMBLIES**



**6, 9, 12 & 15 POSITION HEADER ASSEMBLY**





**NOTES:**

- 1) MATERIAL CODES:  
HOUSING :  
\*A= UNREINFORCED POLYESTER, 94V-0.  
COLOR: WHITE  
\*B= UNREINFORCED POLYESTER, 94V-0.  
COLOR: BRICK RED  
\*C= NYLON (PA66), UL94V-2  
COLOR: WHITE, TRANSLUCENT  
TERMINAL : PHOSPHOR BRONZE
- 2) FINISH:  
TIN-LEAD 20 MICROINCH (0.51 MICRONS) MINIMUM
- 3) TERMINAL LENGTH IS SUITABLE FOR .062/(1.57) THICK P.C BOARD
- 4) DIMENSIONS ARE FOR REFERENCE ONLY UNLESS INDICATED OTHERWISE.
- 5) HEADER ASSEMBLY HOUSINGS MATE WITH :  
- PLUG HOUSINGS, .084/(2.13) DIA. SERIES: (42021-\*\*)
- 6) CONTACTS ARE ON .250/(6.35) GRID CENTERLINE SPACING.

EC NO. I 2003-0027 A1 DRWNS.S 20/01/03 CHK: G.L 20/01/03 APPR: G.L 20/01/03	DESCRIPTION MAJOR CRITICAL	GENERAL TOLERANCES: (UNLESS SPECIFIED)		SCALE 1.5:1	DESIGN UNITS <input type="checkbox"/> mm <input checked="" type="checkbox"/> INCH	DIMENSIONS: <input type="checkbox"/> mm <input checked="" type="checkbox"/> INCH <input type="checkbox"/> mm ONLY		SHT	REV
		4 PLACES ±0.25	±.010	DRAWN BY & DATE S.S 01/09/28	THIRD ANGLE PROJECTION				
		3 PLACES ±0.25	±.014	CHECKED BY & DATE G.L 01/09/28	TITLE: HEADER HOUSING ASSEMBLIES .084/(2.13) SERIES WITH COMPLIANT/POLARISING PEG				
		2 PLACES ±0.25	±.014	APPROVED BY & DATE G.L 01/09/28	MATERIAL NO. SD-36538-001				
		1 PLACE ±0.36	±.	CAD FILENAME SD-36538-001.S01	DRAWING NO. SD-36538-001				
		ANGULAR: ± 1/2°		THIS DRAWING CONTAINS INFORMATION THAT IS PROPRIETARY TO MOLEX INCORPORATED AND SHOULD NOT BE USED WITHOUT WRITTEN PERMISSION.					
		DRAFT WHERE APPLICABLE MUST REMAIN WITHIN DIMENSIONS		SHEET NO. 1 OF 2					
				SIZE C					

	13	12	11	10	9	8	7	6	5	4	3	2	
	ITEM NO.	CIRCUIT SIZE	MATERIAL COLOR (SEE NOTE 1)										
J	36538-0001	2	A										
	36538-0002		B										
	36538-0003		C										
	36538-0004	3	A										
	36538-0005		B										
	36538-0006		C										
I	36538-0007	9	A										
	36538-0008		B										
	36538-0009		C										
	36538-0010	4	A										
	36538-0011		B										
	36538-0012		C										
	36538-0013	6	A										
H	36538-0014		B										
	36538-0015		C										
	36538-0016	15	A										
	36538-0017		B										
	36538-0018		C										
	36538-0019	12	A										
	36538-0020		B										
G	36538-0021		C										

EC NO. I 2003-0027 DRWNS.S 20/01/03 CHK: G.L 20/01/03 APPR: G.L 20/01/03	QUALITY SYMBOLS MAJOR  = CRITICAL  =	GENERAL TOLERANCES: (UNLESS SPECIFIED)		SCALE	DESIGN UNITS	THIRD ANGLE PROJECTION	DIMENSIONS:	SHT	REV
			mm	INCH	<input type="checkbox"/> mm <input checked="" type="checkbox"/> INCH	<input type="checkbox"/> mm <input checked="" type="checkbox"/> INCH	<input type="checkbox"/> mm ONLY		
		4 PLACES	±0.	±.	DRAWN BY & DATE S.S 01/09/28	TITLE: HEADER HOUSING ASSEMBLIES .084/(2.13) SERIES WITH COMPLIANT/POLARIZING PEG			
		3 PLACES	±0.	±. 010	CHECKED BY & DATE G.L 01/09/28	MATERIAL NO. DRAWING NO. SEE CHART SD-36538-001			
2 PLACES	±0.25	±. 014	APPROVED BY & DATE G.L 01/09/28	SHEET NO. 2 OF 2					
1 PLACE	±0.36	±.	ANGULAR: ± 1/2°	THIS DRAWING CONTAINS INFORMATION THAT IS PROPRIETARY TO MOLEX INCORPORATED AND SHOULD NOT BE USED WITHOUT WRITTEN PERMISSION.					
DRAFT WHERE APPLICABLE MUST REMAIN WITHIN DIMENSIONS									SIZE C