

PLEASE CHECK WWW.MOLEX.COM FOR LATEST PART INFORMATION

Part Number: [0354216302](#)
Status: **Active**
Description: Tab Crimp Terminal 35421, AVSS 2f, Use With 35382 Hybrid Housing

Documents:

[Drawing \(PDF\)](#) [Product Specification PS-35385-001 \(PDF\)](#)
[Product Specification PS-35282-001 \(PDF\)](#) [RoHS Certificate of Compliance \(PDF\)](#)

General

Product Family	Crimp Terminals
Series	35421
Crimp Quality Equipment	Yes
Product Name	N/A

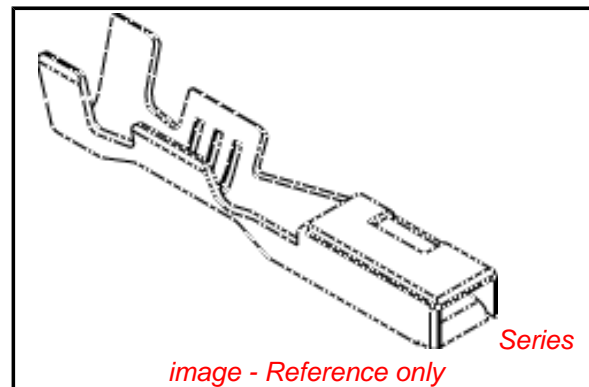
Physical

Gender	Female
Material - Metal	High Performance Alloy (HPA)
Material - Plating Mating	Tin
Material - Plating Termination	Tin
Packaging Type	Reel
Plating min: Mating (µin)	32.00
Plating min: Mating (µm)	0.800
Plating min: Termination (µin)	32.00
Plating min: Termination (µm)	0.80
Termination Interface: Style	Crimp or Compression
Wire Insulation Diameter	2.80mm (.110") max.
Wire Size AWG	14
Wire Size mm ²	N/A

Material Info

Reference - Drawing Numbers

Product Specification	PS-35282-001, PS-35385-001
Sales Drawing	SD-35421-002, SD-35421-6*02



EU RoHS

**ELV and RoHS
Compliant**
**REACH SVHC
Contains SVHC: No
Halogen-Free
Status**

China RoHS



**Need more information on product
environmental compliance?**

Email productcompliance@molex.com
 For a multiple part number RoHS Certificate of
 Compliance, [click here](#)

Please visit the [Contact Us](#) section for any
 non-product compliance questions.

Search Parts in this Series

[35421Series](#)

Mates With

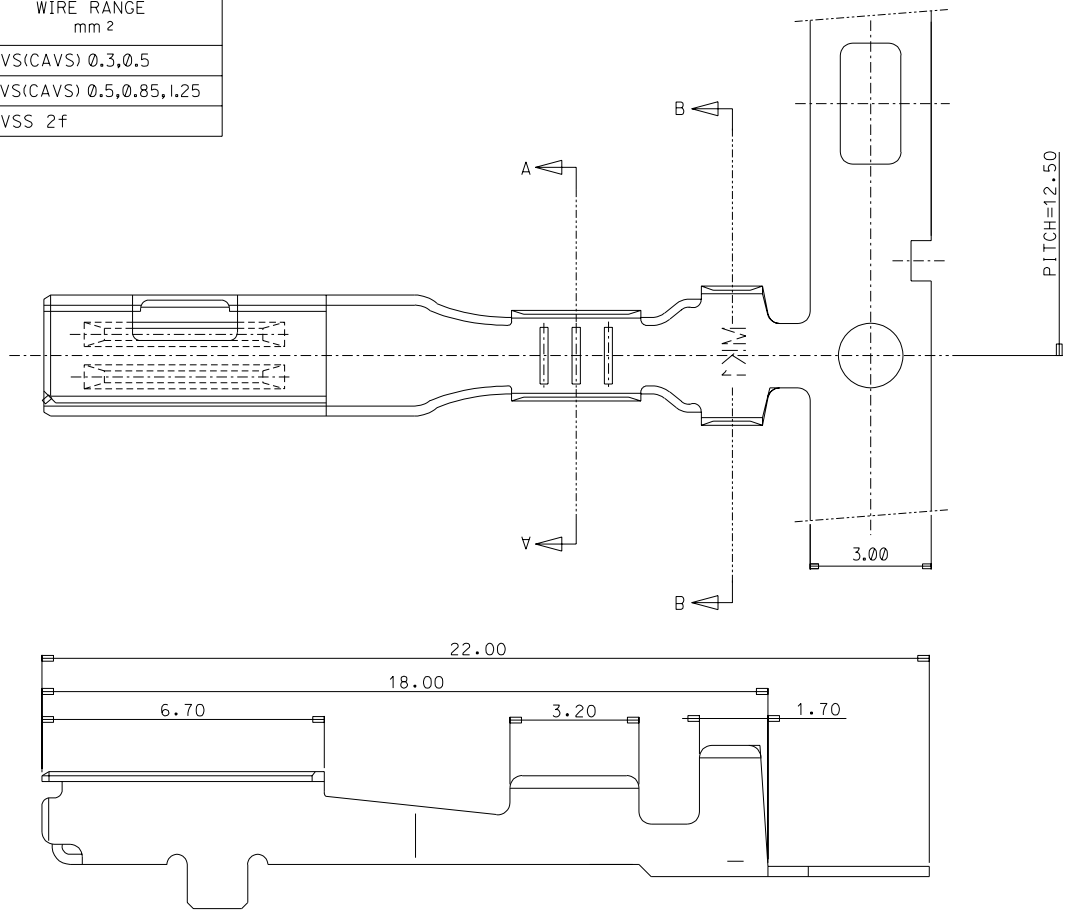
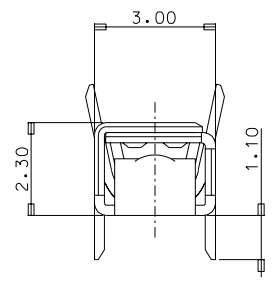
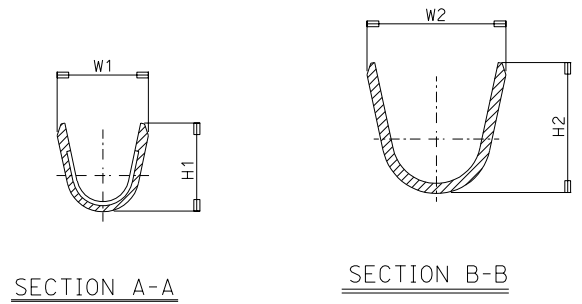
[35420](#)

Use With

[35382](#)

DWG. NO. SD-35421-002
 SIMILAR ITEM
 PROJECT NO.
 C
 B
 DO NOT SCALE DRAWING DIMENSION IN METRIC

"B" TYPE ENG.NO	DESCRIPTION	DIMENSION				WIRE RANGE mm ²
		W1	H1	W2	H2	
35421-6102	UNICONN FEMALE TERMINAL (S)	2.1	2.2	3.4	3.25	AVS(CAVS) 0.3,0.5
35421-6202	UNICONN FEMALE TERMINAL (M)	2.6	2.95	4.0	3.8	AVS(CAVS) 0.5,0.85,1.25
35421-6302	UNICONN FEMALE TERMINAL (L)	3.6	4.0	4.3	3.9	AVSS 2f



NOTES

1. MATERIAL: COPPER ALLOY 0.25± ±0.01
2. FINISH: PRE-TIN PLATED
3. INSERTION-EXTRACTION FORCE WITH TAB TERMINAL P/N 35420.
 INSERTION FORCE : 0.30±1.0 Kgf.
 AFTER SIX TIMES OF INSERTION & EXTRACTION FORCE : 0.15±1.0 Kgf.

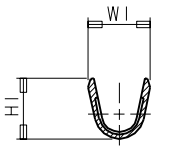
CHANGED TENSION SPEC. EC NO. KOR2002-0090 DRWN: S.M.KIM 02/07/08 CHK: Y.SIK.KIM 02/07/08 APPR: C.W.LEE	QUALITY SYMBOLS MAJOR = 0 CRITICAL = 0	GENERAL TOLERANCES: (UNLESS SPECIFIED)		SCALE 8:1	DESIGN UNITS <input checked="" type="checkbox"/> mm <input type="checkbox"/> INCH	THIRD ANGLE PROJECTION 	DIMENSIONS: <input type="checkbox"/> mm <input type="checkbox"/> INCH <input checked="" type="checkbox"/> mm ONLY	SHT REV		
		4 PLACES ±. ±.	3 PLACES ±0. ±.	2 PLACES ±0.30 ±.	1 PLACE ±0.30 ±.	DRAWN BY & DATE W.Y.YANG 97/12/03		TITLE: UNICONN FEMALE TERMINAL		
		ANGULAR: ± 1.0 °				CHECKED BY & DATE B.K.CHOI 97/12/03				
		DRAFT WHERE APPLICABLE MUST REMAIN WITHIN DIMENSIONS				APPROVED BY & DATE C.W.LEE 97/12/03		MOLEX INCORPORATED		
D	REV	THIS DRAWING CONTAINS INFORMATION THAT IS PROPRIETARY TO MOLEX INCORPORATED AND SHOULD NOT BE USED WITHOUT WRITTEN PERMISSION.		MATERIAL NO. SEETABLE	DRAWING NO. SD-35421-002	SHEET NO. 10F1	SIZE B			

ENG. NO.

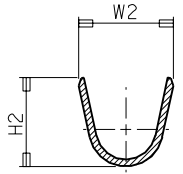
EDP NO.

SIMILAR ITEM

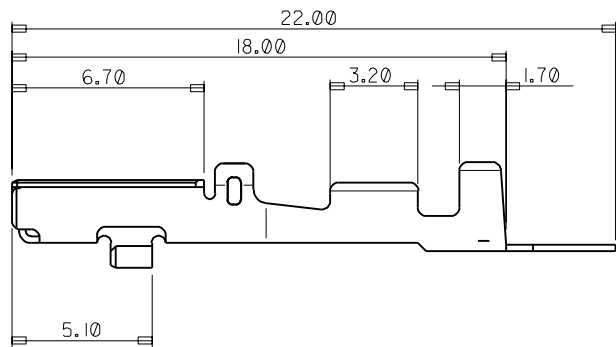
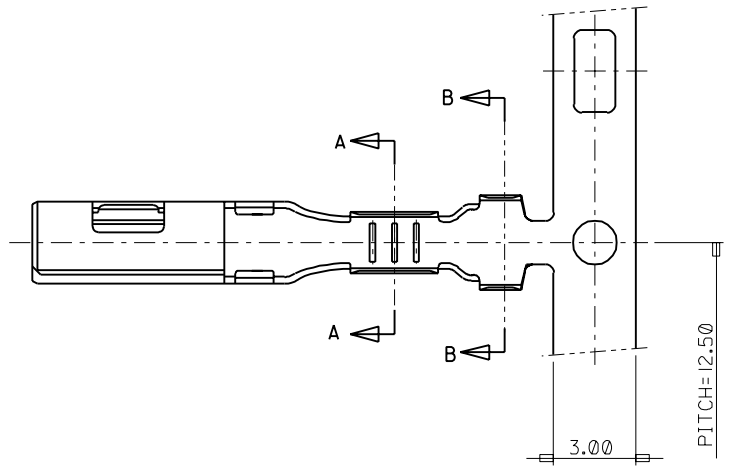
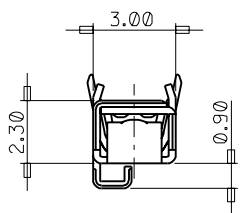
PROJECT NO.



SECTION A-A



SECTION B-B



ENG.NO	DESCRIPTION	DIMENSION				WIRE RANGE mm ²
		W1	H1	W2	H2	
35421-6702	UNICONN FEMALE TERMINAL (S)	2.1	2.2	3.4	3.25	AVS(CAVS) 0.3,0.5
35421-6802	UNICONN FEMALE TERMINAL (M)	2.6	2.95	4.0	3.8	AVS(CAVS) 0.5,0.85,1.25
35421-6902	UNICONN FEMALE TERMINAL (L)	3.6	4.0	4.3	3.9	AVSS 2f

				MATERIAL PRE-TIN PLATED COPPER ALLOY 0.25t		MOLEX-KOREA CO.,LTD.	
				GENERAL TOLERANCE DIMENSION : +0.30 ANGLE :		DRAWN BY Y.SIK,KIM	CHK'D BY
				DIMENSION CLASSIFICATION ▽ : CRITICAL ▼ : MAJOR () : REFERENCE		APP'D BY	SCALE 6:1
A	NEW RELEASE	KOR 97-0162	97.12.03	ASS'Y PART		TITLE : UNICONN FEMALE TERMINAL	
LTR	REVISION RECORD	ECN	DATE	DESCRIPTION ENG. NO.		SHEET 1/1	
REVISE ONLY ON CAD SYSTEM						ENG. NO. SD 35421-6*02 REV A	