

**PLEASE CHECK WWW.MOLEX.COM FOR LATEST PART INFORMATION**

**Part Number:** [0987871019](#)  
**Status:** **Active**  
**Overview:** [mox crimp terminals](#)  
**Description:** 2.54mm (.100") Pitch Pitch MOX Plug Housing 6 Circuits, Brown

**Documents:**

[Application Specification \(PDF\)](#)                      [RoHS Certificate of Compliance \(PDF\)](#)  
[Drawing \(PDF\)](#)

**General**

Product Family	Crimp Housings
Series	<a href="#">98787</a>
Comments	2x3 Circuits, Contact Retention Force without secondary locking: 40N, with secondary locking: 60N
Overview	<a href="#">mox crimp terminals</a>
Product Name	MOX

**Physical**

Circuits (maximum)	6
Circuits Detail	6 x 0.635 mm
Color - Resin	Brown
Gender	Male
Glow-Wire Compliant	No
Keying to Mating Part	None
Lock to Mating Part	Yes
Material - Resin	Nylon
Number of Rows	2
Packaging Type	Bag
Panel Mount	No
Pitch - Mating Interface (in)	0.100 In
Pitch - Mating Interface (mm)	2.54 mm
Pitch - Term. Interface (in)	0.100 In
Pitch - Term. Interface (mm)	2.54 mm
Polarized to Mating Part	Yes
Stackable	No
Temperature Range - Operating	-40°C to +100°C

**Electrical**

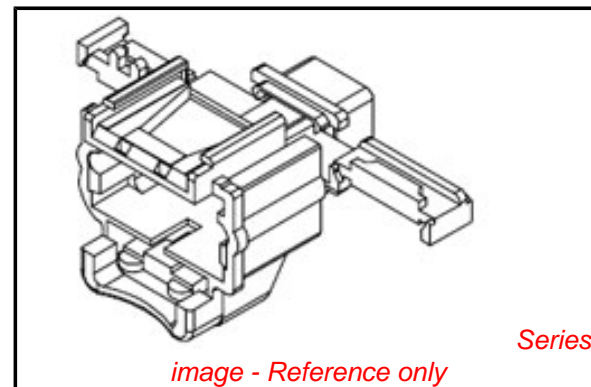
Current - Maximum per Contact	7.5A
-------------------------------	------

**Material Info**

Old Part Number	199312211
-----------------	-----------

**Reference - Drawing Numbers**

Application Specification	AS-98787-001
Packaging Specification	PK-98787-001
Sales Drawing	SD-98787-001, SD-98787-002



*image - Reference only*

**EU RoHS**

**ELV and RoHS Compliant**  
**REACH SVHC**  
 Not Reviewed  
**Halogen-Free**  
**Status**

**China RoHS**



**Not Reviewed**

**Need more information on product environmental compliance?**

Email [productcompliance@molex.com](mailto:productcompliance@molex.com)  
 For a multiple part number RoHS Certificate of Compliance, [click here](#)

Please visit the [Contact Us](#) section for any non-product compliance questions.

**Search Parts in this Series**

[98787Series](#)

**Mates With**

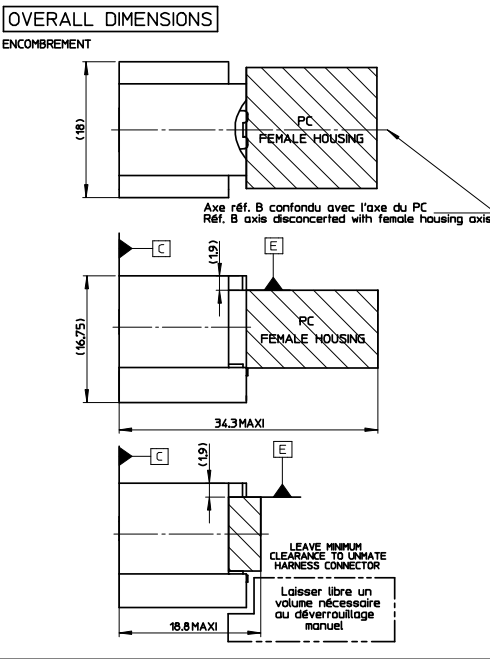
[987861011](#) Wire-to-Wire, [981980001](#) Wire-to-Flex

**Use With**

Contact Molex

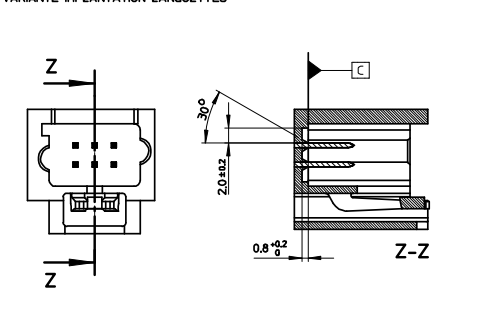
20 19 18 17 16 15 14 13 12 11 10 9 8 7 6 5 4 3 2 1

# OVERALL DIMENSIONS



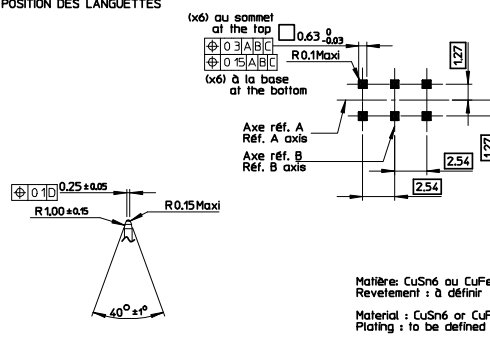
# VARIANT PINS LOCATION

VARIANTE IMPLANTATION LANGUETTES

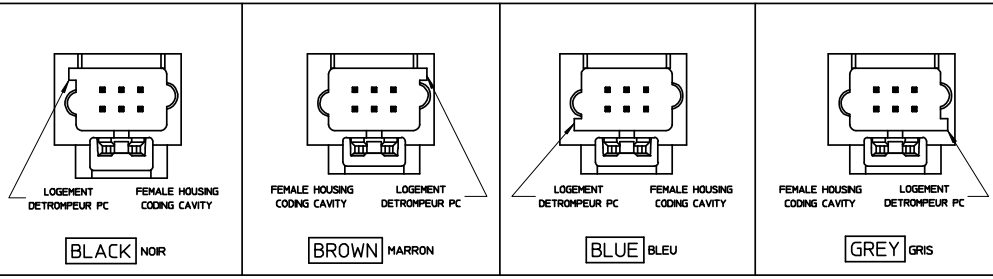


# PINS POSITION

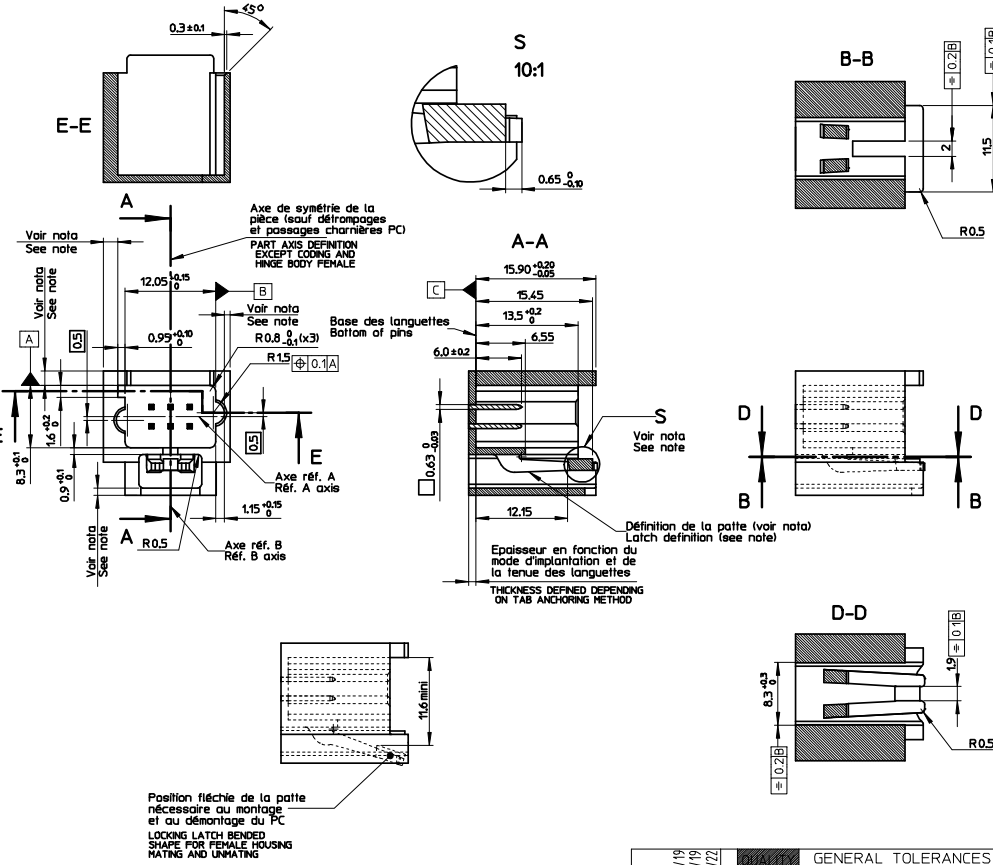
POSITION DES LANGUETTES



# CODINGS / DETROMPAGES



BLACK CODING SHOWN  
DETROMPAGE NOIR REPRESENTE



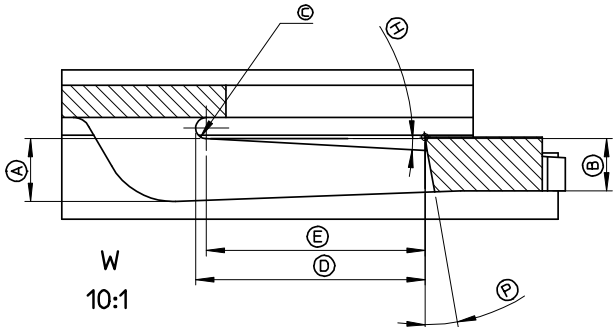
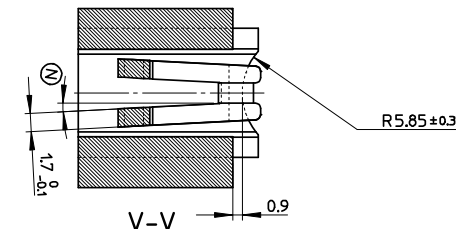
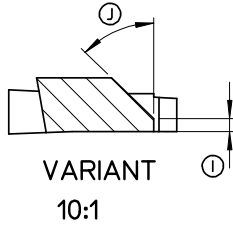
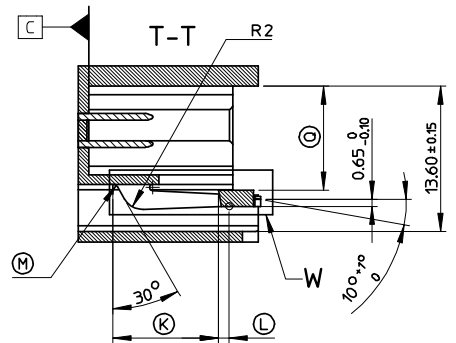
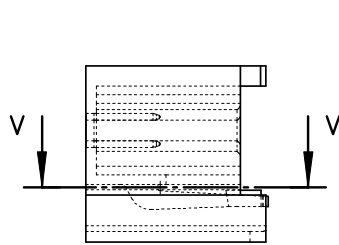
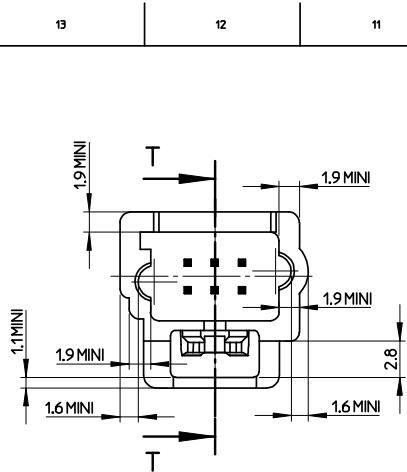
NOTA :  
1 - COTATION ET GEOMETRIE A DEFINIR EN FONCTION DE LA MATIERE (VOIR PLANCHE 2)

NOTE :  
1 - DIMENSIONS AND GEOMETRY TO BE DEFINED ACCORDING MATERIAL (SEE SHEET 2)

# MODIFICATIONS

REV.	DESCRIPTIONS	NAME	DATE
A	X-RELEASED	PBO	07/03/15
B	SQUARE PINS: 0.63 0/-0.03 WAS 0.63 0/-0.30.	PGR	07/06/01
B1	SEE SHEET 2/2	VG	08/06/20

REVIEW NOTE EC NO: GZ008-0509 DRAWING: 2008/08/19 CHKD: JLDUCCLOS APPROVAL: 2008/08/22	DESCRIPTION	QUALITY SYMBOLS	GENERAL TOLERANCES (UNLESS SPECIFIED)	DIMENSION STYLE	SCALE	DESIGN UNITS	FIRST ANGLE PROJECTION	
			mm INCH	MM ONLY	3:1	METRIC		
			4 PLACES ± --- ± ---	DRAWN BY	DATE	6 CKT INTERFACE FEMALE HOUSING		MOLDEX MOLEX INCORPORATED DOCUMENT NO. SD-98787-001
			3 PLACES ± --- ± ---	CHECKED BY	DATE			
			2 PLACES ± --- ± ---	APPROVED BY	DATE			
	1 PLACE ± 0.1 ± ---							
	ANGULAR ± 1°	DRAFT WHERE APPLICABLE MUST REMAIN WITHIN DIMENSIONS		MATERIAL NO. N/A	SHEET NO. 1 OF 2			
B1	REV	SIZE A1	THIS DRAWING CONTAINS INFORMATION THAT IS PROPRIETARY TO MOLEX INCORPORATED AND SHOULD NOT BE USED WITHOUT WRITTEN PERMISSION					



	PBT	PA 6.6	PA 4.6 30% FV PA 4.6 GF 30%
A	1.8 <sup>0</sup> <sub>-0.1</sub>	2.1 <sup>0</sup> <sub>-0.1</sub>	1.75 <sup>0</sup> <sub>-0.1</sub>
B	1.5 <sup>0</sup> <sub>-0.1</sub>	1.5 <sup>0</sup> <sub>-0.1</sub>	0.85 ± 0.15
C	∅6 <sup>+0.01</sup> <sub>0</sub>	∅6 <sup>+0.01</sup> <sub>0</sub>	∅1 ± 0.1
D			9.66 ± 0.1
E	6.15	6.15	
H	3°	3°	0° ± 30°
I	Pas de chanfrein No chamfer	Pas de chanfrein No chamfer	0.3 ± 0.1
J			30° ± 2°
K	9.6 ± 0.1	9.6 ± 0.1	12.81 ± 0.1
L	1 ± 0.1	1 ± 0.1	-
M	R0.5 ± 0.1	R0.5 ± 0.1	-
N	3° ± 1°	3° ± 1°	2.3° ± 1°
P	10° <sup>+*</sup> <sub>0</sub>	10° <sup>+*</sup> <sub>0</sub>	13°
Q	9.75 ± 0.1	9.75 ± 0.1	9.45 ± 0.1

NOTA :

1 - LES COTES SPECIFIEES SUR CETTE PLANCHE SONT VALABLES UNIQUEMENT POUR INFORMATION

2 - ELLES DOIVENT ETRE VALIDEES POUR CHAQUE APPLICATION DANS LE RESPECT DU C.D.C. FONCTIONNEL

NOTES :

1 - DIMENSIONS ON THIS SHEET ARE JUST FOR INFORMATION

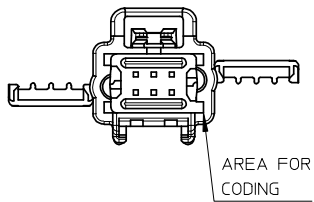
2 - THEY MUST BE APPROVED FOR EACH APPLICATION IN ORDER TO MEET SPECIFICATION

MODIFICATIONS

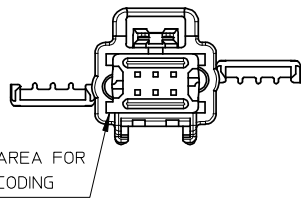
REV.	DESCRIPTIONS	NAME	DATE
A	X-RELEASED	PBO	07/03/15
B	REVISION UPDATE FOLLOWING SHEET 1 REVISION.	PGR	07/06/01
B1	DIM A for the PA 4.6 : FROM 7.75 0/-0.1 TO 1.75 0/-0.1	VG	08/06/26

<b>REVIEW NOTE</b> EC NO: GZ008-0509 DRAWN: VGUERIN 2008/08/19 CHKD: JDUCLDLOS 2008/08/19 APPR: LSTICKEIR 2008/08/22	<b>QUALITY SYMBOLS</b> 	<b>GENERAL TOLERANCES (UNLESS SPECIFIED)</b>		<b>DIMENSION STYLE</b> MM ONLY	<b>SCALE</b> 3:1	<b>DESIGN UNITS</b> METRIC	<b>FIRST ANGLE PROJECTION</b>		
		4 PLACES ± --- ± --- 3 PLACES ± --- ± --- 2 PLACES ± --- ± --- 1 PLACE ± 0.1 ± ---	mm    INCH ± ---    ± --- ± ---    ± --- ± ---    ± --- ± ---    ± ---	DRAWN BY: PBOSQUAIN DATE: 2007/03/15	DATE: 2007/03/15 TITLE:	<b>6 CKT INTERFACE FEMALE HOUSING</b>			
		ANGULAR ± 1°		CHECKED BY: JDUCLDLOS DATE: 2007/03/15					
		DRAFT WHERE APPLICABLE MUST REMAIN WITHIN DIMENSIONS		APPROVED BY: LSTICKEIR DATE: 2007/03/15	MATERIAL NO.: N/A	<b>MOLEX INCORPORATED</b>	DOCUMENT NO.: SD-98787-001	SHEET NO.: 2 OF 2	

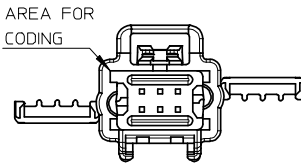
THIS DRAWING CONTAINS INFORMATION THAT IS PROPRIETARY TO MOLEX INCORPORATED AND SHOULD NOT BE USED WITHOUT WRITTEN PERMISSION



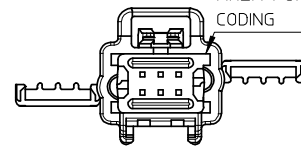
AREA FOR CODING



AREA FOR CODING



AREA FOR CODING



AREA FOR CODING

MATERIAL NUMBER  
COLOR

0987871011  
BLACK

MATERIAL NUMBER  
COLOR

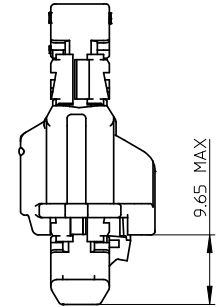
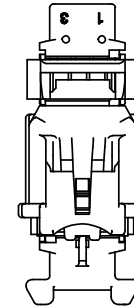
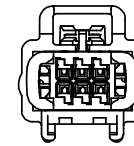
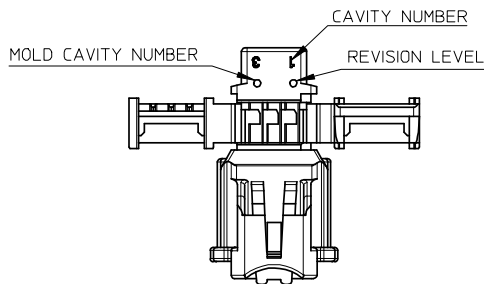
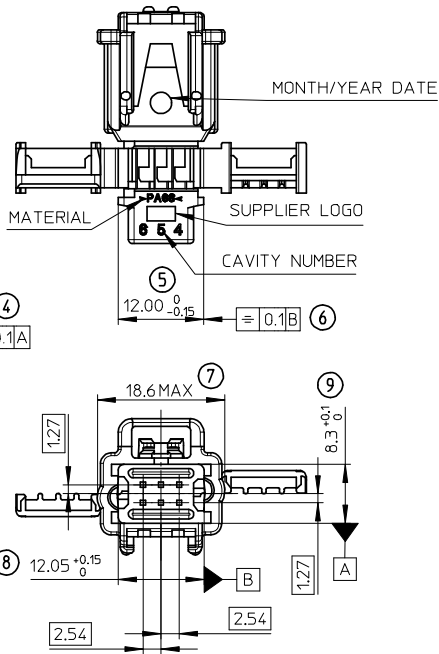
0987871019  
BROWN

MATERIAL NUMBER  
COLOR

0987871018  
GREY

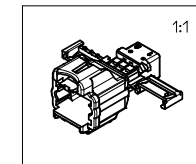
MATERIAL NUMBER  
COLOR

0987871016  
BLUE



NECESSARY VOLUME FOR THE HOUSING ASSEMBLY.  
ALLOW AN ADDITIONAL VOLUME FOR THE UNMATING

- NOTES :
- 1-MATERIAL : POLYAMIDE (PA66) UNFILLED , UL94V-2
  - 2-USE WITH : MQS <sup>®</sup> PIN TERMINAL OR COMPATIBLE
  - 3-APPLICATION SPECIFICATION : AS-98787-001
  - 4-MATE WITH : SERIES 98786
  - 5-WEIGHT : 2.150 g



<p>FIRST RELEASE EC NO: G2008-0366 DRAWN: VGUERIN 2008/03/25 CHKD: JLDUCLOS 2008/03/25 APPR: LSTICKEIR 2008/03/27</p>	GENERAL TOLERANCES (UNLESS SPECIFIED)		DIMENSION STYLE MM ONLY		SCALE 2:1	DESIGN UNITS METRIC	THIRD ANGLE PROJECTION	
		mm	INCH	DRAWN BY VGUERIN	DATE 2008/03/14	TITLE MOX PIN HSG 0.635 6CKT		
	4 PLACES	± ---	± ---	CHECKED BY JLDUCLOS	DATE 2008/03/14			
	3 PLACES	± ---	± ---	APPROVED BY LSTICKEIR	DATE 2008/03/14			
	2 PLACES	± 0.05	± ---	MATERIAL NO.	DOCUMENT NO.			
1 PLACE	± 0.10	± ---	ANGULAR ± 2 °		MOLEX INCORPORATED			
DRAFT WHERE APPLICABLE MUST REMAIN WITHIN DIMENSIONS				SEE CHART		SD-98787-002		SHEET NO. 1 OF 1
THIS DRAWING CONTAINS INFORMATION THAT IS PROPRIETARY TO MOLEX INCORPORATED AND SHOULD NOT BE USED WITHOUT WRITTEN PERMISSION								