

PLEASE CHECK WWW.MOLEX.COM FOR LATEST PART INFORMATION

Part Number: [0754330503](#)
Status: **Active**
Overview: [gbx_backplane_connector_system](#)
Description: 1.85mm by 1.85mm (.073 by .073") Pitch 3-Pair GbX® Backplane Connector System, Open Header, 30 Circuits, Gold (Au) 0.76µm (30µ"), Pin Length 3.55mm (.140")

Documents:

[Packaging Specification \(PDF\)](#)
[Drawing \(PDF\)](#)

[RoHS Certificate of Compliance \(PDF\)](#)

Agency Certification

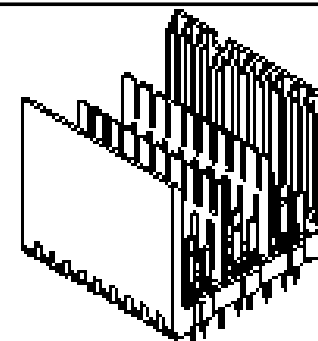
UL E29179

General

Product Family	Backplane Connectors
Series	75433
Application	Backplane
Application Tooling Documents	Tooling Manual
Comments	Open Header
Component Type	PCB Header
Overview	gbx_backplane_connector_system
Product Name	GbX®
Style	N/A

Physical

Circuits (Loaded)	30
Circuits (maximum)	30
Color - Resin	Black
Durability (mating cycles max)	200
First Mate / Last Break	No
Flammability	94V-0
Guide to Mating Part	No
Keying to Mating Part	None
Material - Metal	High Performance Alloy (HPA)
Material - Plating Mating	Gold
Material - Plating Termination	Tin-Lead
Material - Resin	High Temperature Thermoplastic
Number of Columns	25
Number of Pairs	3
Number of Rows	6
Orientation	Vertical
PC Tail Length (in)	0.087 In
PC Tail Length (mm)	2.20 mm
PCB Locator	No
PCB Retention	Yes
PCB Thickness Recommended (in)	0.063 In
PCB Thickness Recommended (mm)	1.60 mm
Packaging Type	Tube
Pitch - Mating Interface (in)	0.073 In
Pitch - Mating Interface (mm)	1.85 mm
Pitch - Term. Interface (in)	0.073 In
Pitch - Term. Interface (mm)	1.85 mm
Plating min: Mating (µin)	30
Plating min: Mating (µm)	0.76
Plating min: Termination (µin)	30



Series
image - Reference only

EU RoHS

RoHS Compliant by Exemption

REACH SVHC

Not Reviewed

Halogen-Free

Status

Not Reviewed

China RoHS



Need more information on product environmental compliance?

Email productcompliance@molex.com
 For a multiple part number RoHS Certificate of Compliance, [click here](#)

Please visit the [Contact Us](#) section for any non-product compliance questions.

Search Parts in this Series

[75433Series](#)

Mates With

[75370 GbX® Daughtercards](#)

Application Tooling | FAQ

Tooling specifications and manuals are found by selecting the products below. Crimp Height Specifications are then contained in the Application Tooling Specification document.

Global

Description	Product #
GbX® Single Pin Repair Tool	0622022090
GbX® Shield Removal Tool	0622022100
GbX® 3 Pair by 5 Differential Insertion Tool	0622022500

Plating min: Termination (µm)	0.76
Polarized to PCB	No
Stackable	No
Surface Mount Compatible (SMC)	Yes
Temperature Range - Operating	105°C
Termination Interface: Style	Through Hole - Compliant Pin

Electrical

Current - Maximum per Contact	1A
Data Rate	8.0 Gbps
Real Signals (per 25mm)	81
Shield Type	Ground Plane Shield
Shielded	Yes
Voltage - Maximum	120V AC (RMS)/DC

Material Info

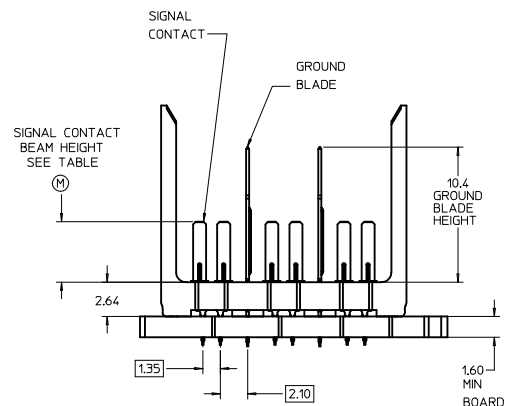
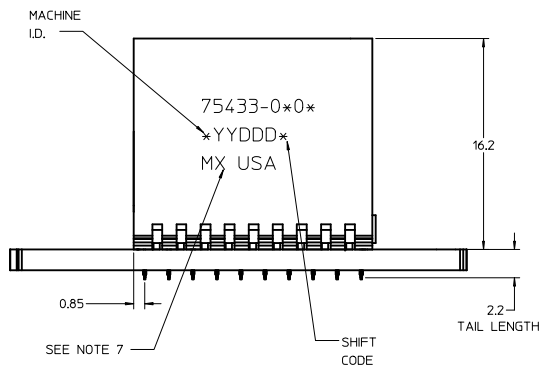
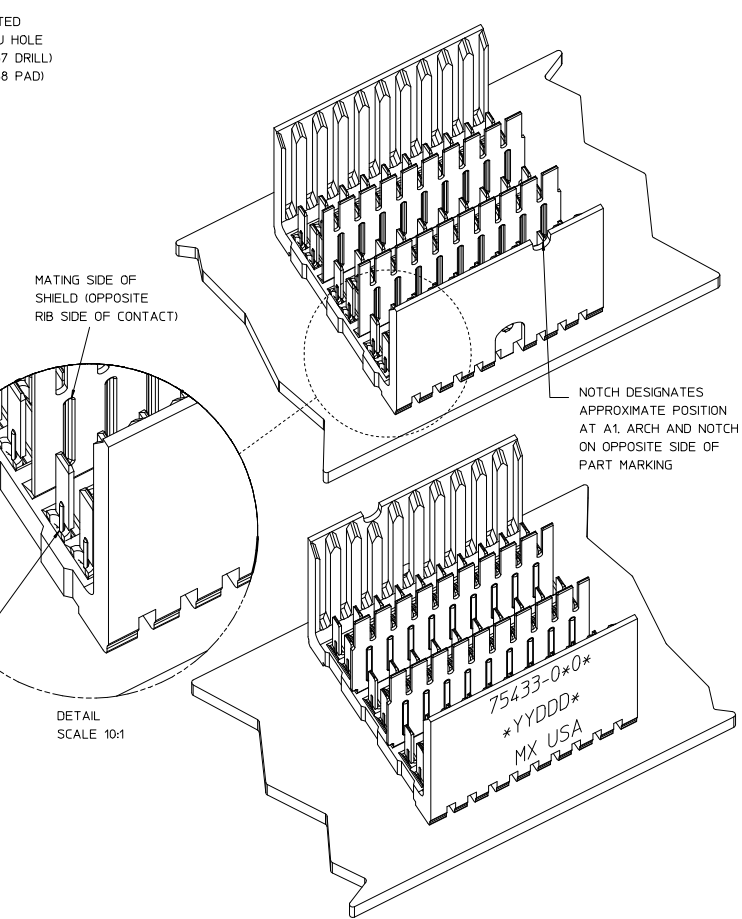
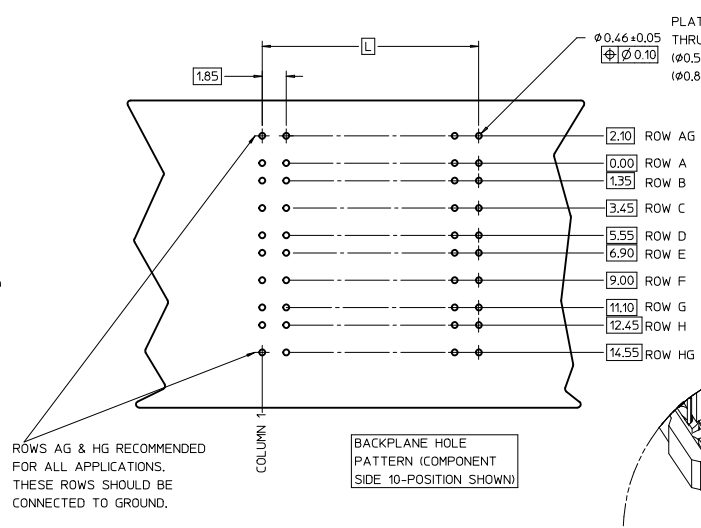
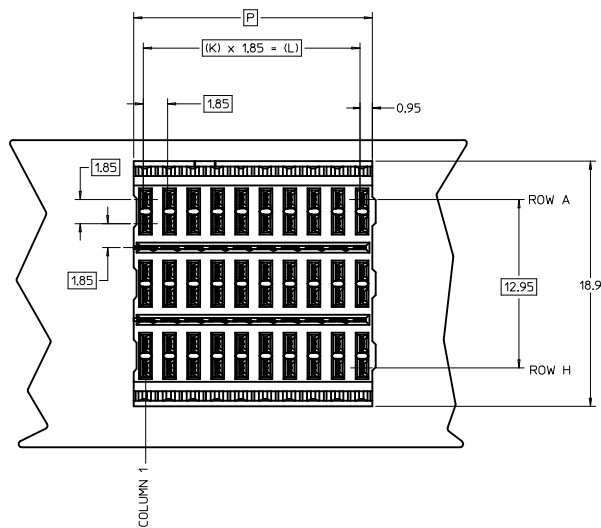
Reference - Drawing Numbers

Packaging Specification	PK-70873-576
Sales Drawing	SD-75433-010

GbX is a registered trademark of Amphenol Corporation.

This document was generated on 05/14/2010

PLEASE CHECK WWW.MOLEX.COM FOR LATEST PART INFORMATION



- NOTES:**
1. MATERIAL: HOUSING - LIQUID CRYSTAL POLYMER (LCP) GLASS-FILLED, UL 94V-0. COLOR - GRAY. SIGNAL CONTACT AND GROUND BLADE - HIGH PERFORMANCE COPPER ALLOY.
 2. FINISHES: SELECTIVE GOLD (Au) ON CONTACT AREA. SELECTIVE TIN/LEAD (SnPb) ON PCB TAILS. NICKEL (Ni) OVERALL.
 3. THIS PART CONFORMS TO MOLEX PRODUCT SPECIFICATION PS-75221-999.
 4. FOR MIXED CONTACT MATING LENGTHS CONSULT MOLEX FOR AVAILABILITY. CONTACT PAIRS MUST BE THE SAME LENGTH.
 5. FOR SPECIFIC PART NUMBER AND MATING INFORMATION PLEASE REFER TO CHART.
 6. PACKAGE PER PK-70873-576.
 7. EITHER MARK PART NUMBER AND DATE CODE APPROXIMATELY WHERE SHOWN OR PLACE A LABEL ON THE TUBE.

75433-**-**0*

COLUMN
01 = 10 COL
02 = 25 COL
05 = 5 COL

PIN LENGTH
DIM "M"
3=3.55 mm
4=4.55 mm
5=5.55 mm

KEYING
ORIENTATION
OPEN = 0 (NONE)

PART NUMBER TABLE				
ASSY PART NO.	K	L	P	TOTAL NO. OF DIFFERENTIAL PAIRS
75433-010*	9	16.65	18.35	30
75433-020*	24	44.40	46.10	75
75433-050*	4	7.40	9.10	15

REVISED (MINOR) EC NO: UCP2010-1307 DRAWN: JINGHAM 2009/11/23 CHKD: JIONIAK 2009/11/23 APPR: JLAURX 2009/11/24	QUALITY SYMBOLS 0 C-0	GENERAL TOLERANCES (UNLESS SPECIFIED) mm INCH	SCALE 5:1	DESIGN UNITS METRIC	THIRD ANGLE PROJECTION	REVISE ON CAD ONLY
			DIMENSION STYLE MM ONLY		TITLE GBX 3-PAIR OPEN END BACKPLANE SALES ASSEMBLY	
B2	DESCRIPTION	DRAFT WHERE APPLICABLE MUST REMAIN WITHIN DIMENSIONS	DRAWN BY NMARTIN	DATE 2004/02/09	MATERIAL NO. DOCUMENT NO. SHEET NO. SEE CHART SD-75433-010 1 OF 1	
			CHECKED BY SREED	DATE 2004/02/09	MATERIAL NO. DOCUMENT NO. SHEET NO. SEE CHART SD-75433-010 1 OF 1	
APPROVED BY JLAURX			DATE 2009/11/24	THIS DRAWING CONTAINS INFORMATION THAT IS PROPRIETARY TO MOLEX INCORPORATED AND SHOULD NOT BE USED WITHOUT WRITTEN PERMISSION		