

PLEASE CHECK WWW.MOLEX.COM FOR LATEST PART INFORMATION

Part Number: [0442480061](#)
Status: **Active**
Overview: [modular_plugs_jacks](#)
Description: Modular Jack, Right Angle, Low Profile, Inverted, 8/8, 2 Ports

Documents:

[3D Model](#) [Product Specification PS-43860-003 \(PDF\)](#)
[Drawing \(PDF\)](#) [RoHS Certificate of Compliance \(PDF\)](#)

Agency Certification

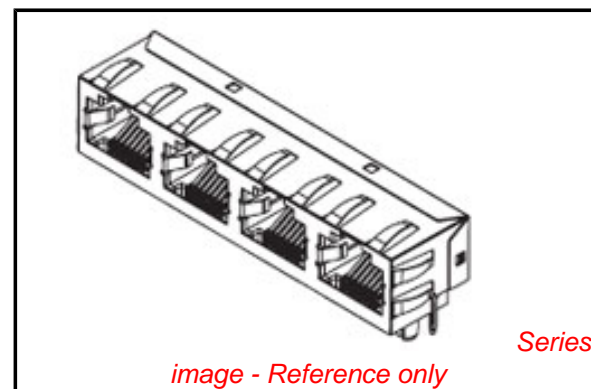
CSA LR19980
 UL E107635

General

Product Family Modular Jacks/Plugs
 Series [44248](#)
 Comments Industry Compatible
 Component Type PCB Jack
 Magnetic No
 Overview [modular_plugs_jacks](#)
 Performance Category 3
 Power over Ethernet (PoE) N/A
 Product Name RJ45

Physical

Boot Color N/A
 Color - Resin Black
 Durability (mating cycles max) 500
 Flammability 94V-0
 Inverted / Top Latch Yes
 Lightpipes/LEDs None
 Material - Metal Phosphor Bronze
 Material - Plating Mating Gold
 Material - Plating Termination Tin
 Material - Resin Polyester
 Orientation Right Angle (Side Entry)
 PCB Locator Yes
 PCB Retention Yes
 PCB Thickness Recommended (in) 0.062 In
 PCB Thickness Recommended (mm) 1.57 mm
 Packaging Type Tray
 Panel Mount With Flange
 Pitch - Mating Interface (in) 0.040 In
 Pitch - Mating Interface (mm) 1.02 mm
 Pitch - Term. Interface (in) 0.040 In
 Pitch - Term. Interface (mm) 1.02 mm
 Plating min: Mating (µin) 50
 Plating min: Mating (µm) 1.25
 Plating min: Termination (µin) 100
 Plating min: Termination (µm) 2.5
 Ports 2
 Positions / Loaded Contacts 8/8
 Surface Mount Compatible (SMC) No
 Temperature Range - Operating -40°C to +85°C
 Termination Interface: Style Through Hole
 Waterproof / Dustproof No



EU RoHS

**ELV and RoHS
 Compliant**
**REACH SVHC
 Contains SVHC: No**
**Halogen-Free
 Status
 Not Reviewed**

China RoHS



**Need more information on product
 environmental compliance?**

Email productcompliance@molex.com
 For a multiple part number RoHS Certificate of
 Compliance, [click here](#)

Please visit the [Contact Us](#) section for any
 non-product compliance questions.

Search Parts in this Series

[44248Series](#)

| | |
|-------------------------------|---------------|
| Wire/Cable Type | N/A |
| Electrical | |
| Current - Maximum per Contact | 1.5A |
| Grounding to PCB | No |
| Shielded | No |
| Voltage - Maximum | 150V AC (RMS) |

Solder Process Data

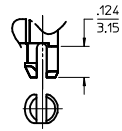
| | |
|--|------------------------|
| Duration at Max. Process Temperature (seconds) | 5 |
| Lead-free Process Capability | Wave Capable (TH only) |
| Max. Cycles at Max. Process Temperature | 1 |
| Process Temperature max. C | 260 |

Material Info**Reference - Drawing Numbers**

| | |
|-------------------------|---|
| Packaging Specification | PK-44248-004 |
| Product Specification | PS-43860-003, RPS-43860-004, RPS-43860-007, RPS-43860-008, RPS-43860-013 |
| Sales Drawing | SD-44248-001 |

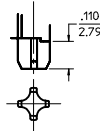
This document was generated on 06/08/2010

PLEASE CHECK WWW.MOLEX.COM FOR LATEST PART INFORMATION



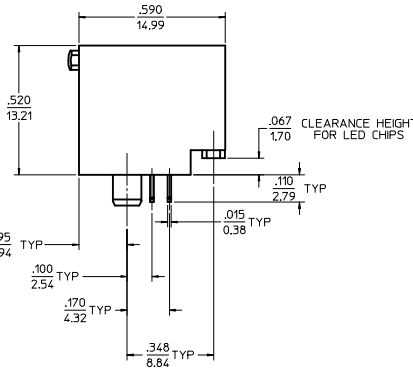
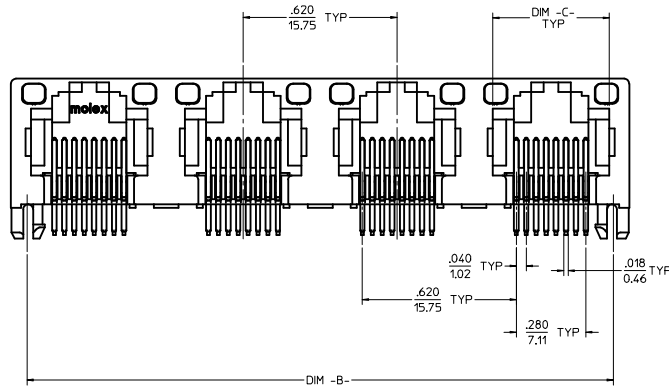
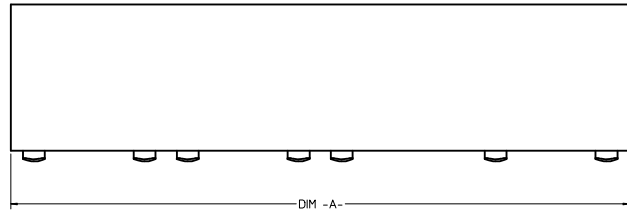
SNAP-FIT PEG OPTION

SCALE: NTS
SEE NOTE #8



PRESS-FIT PEG OPTION

SCALE: NTS
SEE NOTE #8



8 CIRCUIT HOUSING(S)

| ASSEMBLY MATERIAL NUMBER | NUMBER OF CIRCUITS | NUMBER OF PORTS | PEG STYLE | DIM -A- | DIM -B- | DIM -C- |
|--------------------------|--------------------|-----------------|-----------|-------------|-------------|------------|
| 44248-0001 | 8 | 2 | SNAP-FIT | 1.250/31.75 | 1.120/28.45 | .469/11.92 |
| 44248-0002 | 8 | 4 | SNAP-FIT | 2.490/63.25 | 2.360/59.94 | .469/11.92 |
| 44248-0005 | 8 | 2 | PRESS-FIT | 1.250/31.75 | 1.120/28.45 | .469/11.92 |
| 44248-0006 | 8 | 4 | PRESS-FIT | 2.490/63.25 | 2.360/59.94 | .469/11.92 |

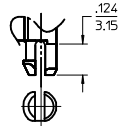
6 CIRCUIT HOUSING(S)

| ASSEMBLY MATERIAL NUMBER | NUMBER OF CIRCUITS | NUMBER OF PORTS | PEG STYLE | DIM -A- | DIM -B- | DIM -C- |
|--------------------------|--------------------|-----------------|-----------|-------------|-------------|-----------|
| 44248-0009 | 6 | 2 | SNAP-FIT | 1.250/31.75 | 1.120/28.45 | .389/9.88 |
| 44248-0010 | 4 | 2 | SNAP-FIT | 1.250/31.75 | 1.120/28.45 | .389/9.88 |
| 44248-0011 | 6 | 4 | SNAP-FIT | 2.490/63.25 | 2.360/59.94 | .389/9.88 |
| 44248-0012 | 4 | 4 | SNAP-FIT | 2.490/63.25 | 2.360/59.94 | .389/9.88 |
| 44248-0017 | 6 | 2 | PRESS-FIT | 1.250/31.75 | 1.120/28.45 | .389/9.88 |
| 44248-0018 | 4 | 2 | PRESS-FIT | 1.250/31.75 | 1.120/28.45 | .389/9.88 |
| 44248-0019 | 6 | 4 | PRESS-FIT | 2.490/63.25 | 2.360/59.94 | .389/9.88 |
| 44248-0020 | 4 | 4 | PRESS-FIT | 2.490/63.25 | 2.360/59.94 | .389/9.88 |

- NOTES:**
- MATERIAL:**
HOUSING: POLYESTER(PBT), GLASS FILLED, UL94V-0, COLOR: BLACK
LIGHT PIPES: POLYCARBONATE, UL-94V2, COLOR: CLEAR
TERMINALS: PHOSPHOR BRONZE
 - FINISH:**
TERMINALS:
*SELECT GOLD IN CONTACT AREA: 50 MICRONCHES (127 MICROMETERS) MIN.
*SELECT TIN IN PC TAIL AREA: 100 MICRONCHES (2.54 MICROMETERS) MIN.
WITH OVERALL NICKEL UNDERPLATE: 50 MICRONCHES (1.27 MICROMETERS) MIN.
*THE PRIMARY SHIPPING CARTON WILL BE LABELED "COMPLIANT TO RoHS DIRECTIVE 2002/95/EC AND ELV ANNEX II OF DIRECTIVE 2000/53/EC."
CARTONS WITHOUT THIS LABEL MAY CONTAIN PRODUCT WITH TIN-LEAD IN THE PC TAILS.
 - PRODUCT SPECIFICATION AND PROCESSING PARAMETERS:** PS-43860-003.
 - PACKAGING SPECIFICATION:**
SPECIFICATION PK-44248-004.
CONNECTOR ASSEMBLIES IN THERMOFORMED TRAYS PER MOLEX PACKAGING
 - APPLICATION SPECIFICATION:** AS-43860-001
 - ALL UNTOLERANCED DIMENSIONS ARE SHOWN FOR REFERENCE ONLY.
 - CONFORMS TO FCC REGULATION PART 68.5 FOR MODULAR JACKS.
 - MODJACKS AVAILABLE WITH EITHER SNAP-FIT OR PRESS-FIT PEGS.
THIS DRAWING SHOWS SNAP-FIT PEGS.
 - PCB LAYOUT AND PANEL CUT-OUT SHOWN ON SHEETS (5) AND (6).
 - THIS PART CONFORMS TO CLASS B REQUIREMENTS OF COSMETIC SPECIFICATION PS-45499-002.

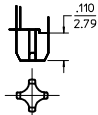
UNSHIELDED
WITH LIGHT PIPES

| CHGD 0117 TO 0119 IEC NO: UCP2009-1482 DRAWN: KLOSTNER 2008/12/10 CHKD: BELL 2008/12/10 APPROVED: SMITH 2008/12/10 REV 4 | QUALITY SYMBOLS ▽=0 ▽=0 | GENERAL TOLERANCES (UNLESS SPECIFIED): <table border="1"> <tr> <th></th> <th>mm</th> <th>INCH</th> </tr> <tr> <td>4 PLACES ±</td> <td>---</td> <td>---</td> </tr> <tr> <td>3 PLACES ±</td> <td>---</td> <td>±.010</td> </tr> <tr> <td>2 PLACES ±</td> <td>±0.25</td> <td>---</td> </tr> <tr> <td>1 PLACE ±</td> <td>---</td> <td>---</td> </tr> </table> ANGULAR ±1/2° | | mm | INCH | 4 PLACES ± | --- | --- | 3 PLACES ± | --- | ±.010 | 2 PLACES ± | ±0.25 | --- | 1 PLACE ± | --- | --- | DIMENSION STYLE IN/MM | SCALE 4:1 | DESIGN UNITS INCH | THIRD ANGLE PROJECTION |
|--|--|---|------------------------------|---------------------|------|------------|-----|-----|------------|-----|-------|------------|-------|-----|-----------|-----|-----|--------------------------|--------------|----------------------|------------------------|
| | | mm | INCH | | | | | | | | | | | | | | | | | | |
| | 4 PLACES ± | --- | --- | | | | | | | | | | | | | | | | | | |
| | 3 PLACES ± | --- | ±.010 | | | | | | | | | | | | | | | | | | |
| 2 PLACES ± | ±0.25 | --- | | | | | | | | | | | | | | | | | | | |
| 1 PLACE ± | --- | --- | | | | | | | | | | | | | | | | | | | |
| DRAWN BY: MMAYO CHECKED BY: JROBERTS APPROVED BY: JROBERTS | DATE: 98/10/06 DATE: 98/10/06 DATE: 98/10/06 | TITLE GANGED INVERTED MODJACK ASSEMBLY | MOLEX INCORPORATED | | | | | | | | | | | | | | | | | | |
| DRAFT WHERE APPLICABLE MUST REMAIN WITHIN DIMENSIONS | | MATERIAL NO. SEE CHART | DOCUMENT NO. SD-44248-001 | SHEET NO. 1 OF 6 | | | | | | | | | | | | | | | | | |
| THIS DRAWING CONTAINS INFORMATION THAT IS PROPRIETARY TO MOLEX INCORPORATED AND SHOULD NOT BE USED WITHOUT WRITTEN PERMISSION | | | | | | | | | | | | | | | | | | | | | |



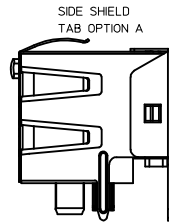
SNAP-FIT PEG OPTION

SCALE: NTS.
SEE NOTE #8

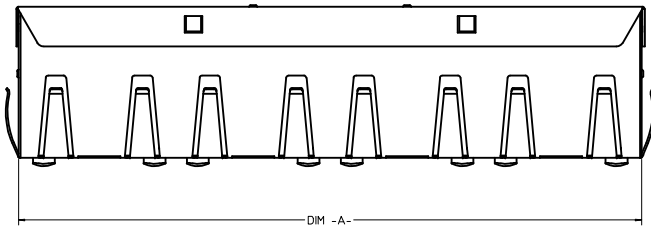
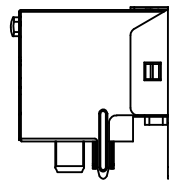


PRESS-FIT PEG OPTION

SCALE: NTS.
SEE NOTE #8

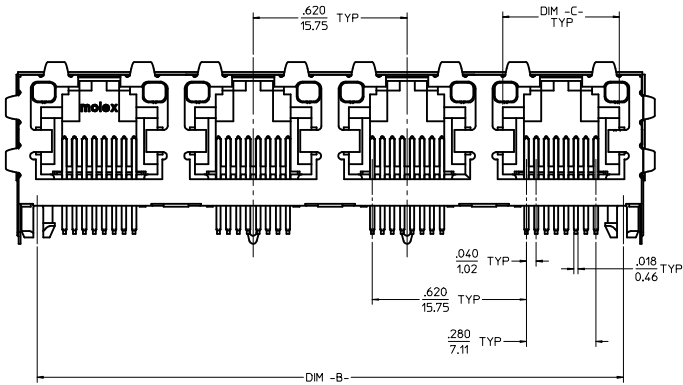


SIDE SHIELD TAB OPTION B

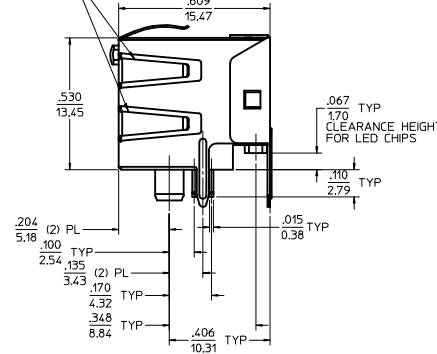


| (8) CIRCUIT HOUSING(S) | | | | | | | |
|--------------------------|--------------------|-----------------|-----------|------------------------|-------------|-------------|------------|
| ASSEMBLY MATERIAL NUMBER | NUMBER OF CIRCUITS | NUMBER OF PORTS | PEG STYLE | SIDE SHIELD TAB OPTION | DIM -A- | DIM -B- | DIM -C- |
| 44248-0029 | 8 | 2 | SNAP-FIT | A | 1.274/32.36 | 1.120/28.45 | .469/11.92 |
| 44248-0030 | 8 | 4 | SNAP-FIT | A | 2.514/63.86 | 2.360/59.94 | .469/11.92 |
| 44248-0033 | 8 | 2 | PRESS-FIT | A | 1.274/32.36 | 1.120/28.45 | .469/11.92 |
| 44248-0034 | 8 | 4 | PRESS-FIT | A | 2.514/63.86 | 2.360/59.94 | .469/11.92 |

| (6) CIRCUIT HOUSING(S) | | | | | | | |
|--------------------------|--------------------|-----------------|-----------|------------------------|-------------|-------------|-----------|
| ASSEMBLY MATERIAL NUMBER | NUMBER OF CIRCUITS | NUMBER OF PORTS | PEG STYLE | SIDE SHIELD TAB OPTION | DIM -A- | DIM -B- | DIM -C- |
| 44248-0037 | 6 | 2 | SNAP-FIT | A | 1.274/32.36 | 1.120/28.45 | .389/9.88 |
| 44248-0038 | 4 | 2 | SNAP-FIT | A | 1.274/32.36 | 1.120/28.45 | .389/9.88 |
| 44248-0039 | 6 | 4 | SNAP-FIT | A | 2.514/63.86 | 2.360/59.94 | .389/9.88 |
| 44248-0040 | 4 | 4 | SNAP-FIT | A | 2.514/63.86 | 2.360/59.94 | .389/9.88 |
| 44248-0045 | 6 | 2 | PRESS-FIT | A | 1.274/32.36 | 1.120/28.45 | .389/9.88 |
| 44248-0046 | 4 | 2 | PRESS-FIT | A | 1.274/32.36 | 1.120/28.45 | .389/9.88 |
| 44248-0047 | 6 | 4 | PRESS-FIT | A | 2.514/63.86 | 2.360/59.94 | .389/9.88 |
| 44248-0048 | 4 | 4 | PRESS-FIT | A | 2.514/63.86 | 2.360/59.94 | .389/9.88 |



OPTIONAL SIDE SHIELD TABS SEE CHARTS



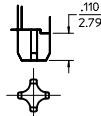
- NOTES:
- MATERIAL: HOUSING: POLYESTER(PBT), GLASS FILLED, UL94V-0, COLOR: BLACK
LIGHT PIPES: POLYCARBONATE, UL-94V2, COLOR: CLEAR
TERMINALS: PHOSPHOR BRONZE
SHIELD: BRASS
 - FINISH: TERMINALS:
*SELECT GOLD IN CONTACT AREA: 50 MICROINCHES (1.27 MICROMETERS) MIN.
*SELECT TIN IN PC TAIL AREA: 100 MICROINCHES (2.54 MICROMETERS) MIN., WITH OVERALL NICKEL UNDERPLATE: 50 MICROINCHES (1.27 MICROMETERS) MIN.
SHIELD:
*100 MICROINCHES (2.54 MICROMETERS) NICKEL OVER 50 MICROINCHES (1.27 MICROMETERS) COPPER UNDERPLATE PCB GROUND TABS DIPPED IN TIN
*THE PRIMARY SHIPPING CARTON WILL BE LABELED "COMPLIANT TO RoHS DIRECTIVE 2002/95/EC AND ELV ANNEX II OF DIRECTIVE 2000/53/EC." CARTONS WITHOUT THIS LABEL MAY CONTAIN PRODUCT WITH TIN-LEAD IN THE PC TAILS AND/OR SHIELD.
 - PRODUCT SPECIFICATION AND PROCESSING PARAMETERS: PS-43860-003.
 - PACKAGING SPECIFICATION: CONNECTOR ASSEMBLIES IN THERMOFORMED TRAYS PER MOLEX PACKAGING SPECIFICATION PK-44248-004.
 - APPLICATION SPECIFICATION: AS-43860-001
 - ALL UNTOLERANCED DIMENSIONS ARE SHOWN FOR REFERENCE ONLY.
 - CONFORMS TO FCC REGULATION PART 68.5 FOR MODULAR JACKS.
 - MODJACKS AVAILABLE WITH EITHER SNAP-FIT OR PRESS-FIT PEGS. THIS DRAWING SHOWS SNAP-FIT PEGS.
 - PCB LAYOUT AND PANEL CUT-OUT SHOWN ON SHEETS (5) AND (6).
 - THIS PART CONFORMS TO CLASS B REQUIREMENTS OF COSMETIC SPECIFICATION PS-45499-002.

SHIELDED WITH LIGHT PIPES

| | | | | | | | |
|---|---|--|--------------------------------|-------------------------------------|--------------------------------------|--|---------------------|
| SEE SHEET 1 IEC NO: UCP2009-1482 DRAWN: KLOSTNER/ER 2008/12/10 CHKD: BELL 2008/12/10 APPROVED: SMITH 2008/12/10 REV DESCRIPTION | QUALITY SYMBOLS | GENERAL TOLERANCES (UNLESS SPECIFIED) | DIMENSION STYLE | SCALE | DESIGN UNITS | THIRD ANGLE PROJECTION | |
| | ▽=0 ▽=0 | ± mm ± .010 ± 0.25 ± .1/2° ANGULAR ±1/2° | IN/MM DATE DATE DATE | 4:1 | INCH | GANGED INVERTED MODJACK ASSEMBLY MOLEX INCORPORATED | |
| | DRAFT WHERE APPLICABLE MUST REMAIN WITHIN DIMENSIONS | MATERIAL NO. SEE CHART | DRAWN BY M MAYO 98/10/06 | CHECKED BY J ROBERTS 98/10/06 | APPROVED BY J ROBERTS 98/10/06 | MOLEX INCORPORATED DOCUMENT NO. SD-44248-001 | SHEET NO. 2 OF 6 |
| | THIS DRAWING CONTAINS INFORMATION THAT IS PROPRIETARY TO MOLEX INCORPORATED AND SHOULD NOT BE USED WITHOUT WRITTEN PERMISSION | | | | | | |



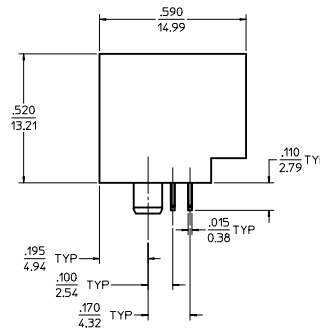
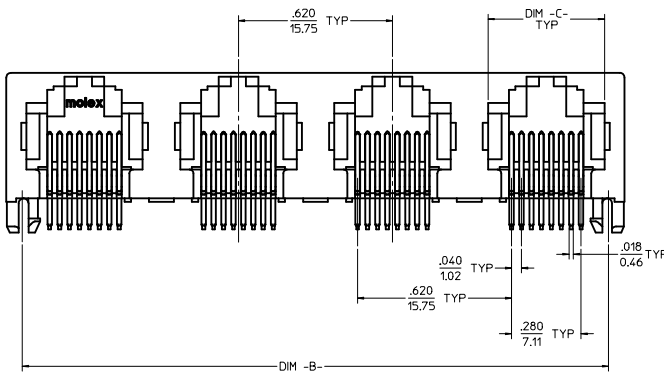
SNAP-FIT PEG OPTION
SCALE: NTS,
SEE NOTE #7



PRESS-FIT PEG OPTION
SCALE: NTS,
SEE NOTE #7

| 8 CIRCUIT HOUSING(S) | | | | | | |
|--------------------------|--------------------|-----------------|-----------|-------------|-------------|------------|
| ASSEMBLY MATERIAL NUMBER | NUMBER OF CIRCUITS | NUMBER OF PORTS | PEG STYLE | DIM -A- | DIM -B- | DIM -C- |
| 44248-0057 | 8 | 2 | SNAP-FIT | 1.250/31.75 | 1.120/28.45 | .469/11.92 |
| 44248-0058 | 8 | 4 | SNAP-FIT | 2.490/63.25 | 2.360/59.94 | .469/11.92 |
| 44248-0061 | 8 | 2 | PRESS-FIT | 1.250/31.75 | 1.120/28.45 | .469/11.92 |
| 44248-0062 | 8 | 4 | PRESS-FIT | 2.490/63.25 | 2.360/59.94 | .469/11.92 |

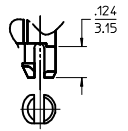
| 6 CIRCUIT HOUSING(S) | | | | | | |
|--------------------------|--------------------|-----------------|-----------|-------------|-------------|-----------|
| ASSEMBLY MATERIAL NUMBER | NUMBER OF CIRCUITS | NUMBER OF PORTS | PEG STYLE | DIM -A- | DIM -B- | DIM -C- |
| 44248-0065 | 6 | 2 | SNAP-FIT | 1.250/31.75 | 1.120/28.45 | .389/9.88 |
| 44248-0066 | 4 | 2 | SNAP-FIT | 1.250/31.75 | 1.120/28.45 | .389/9.88 |
| 44248-0067 | 6 | 4 | SNAP-FIT | 2.490/63.25 | 2.360/59.94 | .389/9.88 |
| 44248-0068 | 4 | 4 | SNAP-FIT | 2.490/63.25 | 2.360/59.94 | .389/9.88 |
| 44248-0073 | 6 | 2 | PRESS-FIT | 1.250/31.75 | 1.120/28.45 | .389/9.88 |
| 44248-0074 | 4 | 2 | PRESS-FIT | 1.250/31.75 | 1.120/28.45 | .389/9.88 |
| 44248-0075 | 6 | 4 | PRESS-FIT | 2.490/63.25 | 2.360/59.94 | .389/9.88 |
| 44248-0076 | 4 | 4 | PRESS-FIT | 2.490/63.25 | 2.360/59.94 | .389/9.88 |



- NOTES:
 1) MATERIAL:
 HOUSING: POLYESTER(PBT), GLASS FILLED, UL94V-0, COLOR: BLACK
 TERMINALS: PHOSPHOR BRONZE
 2) FINISH:
 TERMINALS:
 *SELECT GOLD IN CONTACT AREA: 50 MICROINCHES (1.27 MICROMETERS) MIN.
 *SELECT TIN IN PC TAIL AREA: 100 MICROINCHES (2.54 MICROMETERS) MIN.
 WITH OVERALL NICKEL UNDERPLATE: 50 MICROINCHES (1.27 MICROMETERS) MIN.
 *THE PRIMARY SHIPPING CARTON WILL BE LABELED "COMPLIANT TO RoHS DIRECTIVE 2002/95/EC AND ELV ANNEX II OF DIRECTIVE 2000/53/EC". CARTONS WITHOUT THIS LABEL MAY CONTAIN PRODUCT WITH TIN-LEAD IN THE PC TAILS.
 3) PRODUCT SPECIFICATION AND PROCESSING PARAMETERS: PS-43860-003.
 4) PACKAGING SPECIFICATION:
 CONNECTOR ASSEMBLIES IN THERMOFORMED TRAYS PER MOLEX PACKAGING SPECIFICATION PK-44248-004.
 5) ALL UNTOLERANCED DIMENSIONS ARE SHOWN FOR REFERENCE ONLY.
 6) CONFORMS TO FCC REGULATION PART 68.5 FOR MODULAR JACKS.
 7) MODJACKS AVAILABLE WITH EITHER SNAP-FIT OR PRESS-FIT PEGS. THIS DRAWING SHOWS SNAP-FIT PEGS.
 8) PCB LAYOUT AND PANEL CUT-OUT SHOWN ON SHEETS (5) AND (6).
 9) THIS PART CONFORMS TO CLASS B REQUIREMENTS OF COSMETIC SPECIFICATION PS-45499-002.

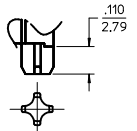
UNSHIELDED

| | | | | | |
|--|---|--|--|--|---|
| SEE SHEET 1 IEC NO: UCP2009-1482 DRAWN: KLOSTNER 2008/12/10 CHKD: BELL 2008/12/10 APPROVED: SMITH 2008/12/10 | QUALITY SYMBOLS ▽=0 ▽=0 | GENERAL TOLERANCES (UNLESS SPECIFIED) mm INCH 4 PLACES ± .--- ± .--- 3 PLACES ± .--- ± .010 2 PLACES ± 0.25 ± .--- 1 PLACE ± .--- ± .--- ANGULAR ±1/2° | DIMENSION STYLE IN/MM DRAWN BY DATE MMAYO 98/10/06 CHECKED BY DATE JROBERTS 98/10/06 APPROVED BY DATE JROBERTS 98/10/06 | SCALE 4:1 DESIGN UNITS INCH THIRD ANGLE PROJECTION | TITLE GANGED INVERTED MODJACK ASSEMBLY |
| | DRAFT WHERE APPLICABLE MUST REMAIN WITHIN DIMENSIONS | | MATERIAL NO. SEE CHART | DOCUMENT NO. SD-44248-001 | SHEET NO. 3 OF 6 |
| | MOLEX INCORPORATED | | | | |
| | THIS DRAWING CONTAINS INFORMATION THAT IS PROPRIETARY TO MOLEX INCORPORATED AND SHOULD NOT BE USED WITHOUT WRITTEN PERMISSION | | | | |



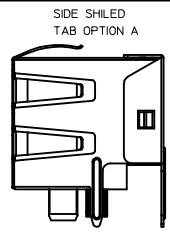
SNAP-FIT PEG OPTION

SCALE: NTS
SEE NOTE #7

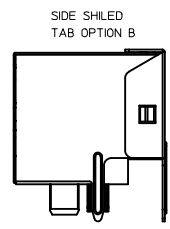


PRESS-FIT PEG OPTION

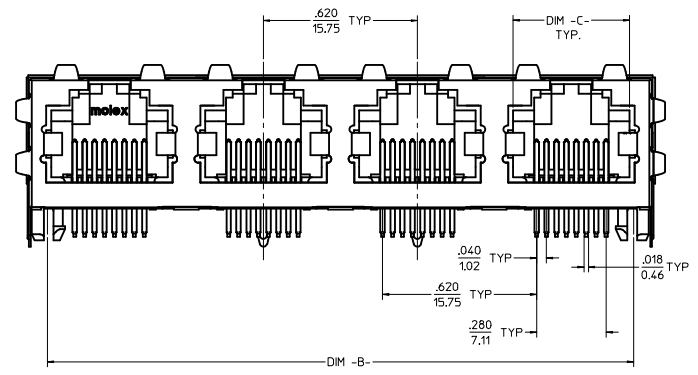
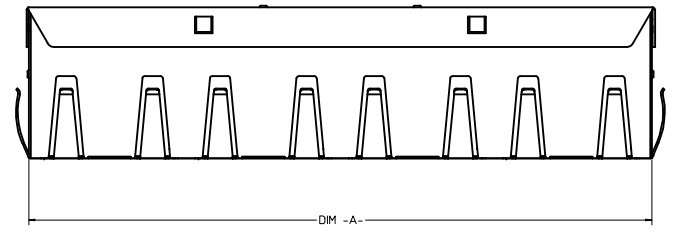
SCALE: NTS
SEE NOTE #7



SIDE SHIELDED
TAB OPTION A



SIDE SHIELDED
TAB OPTION B



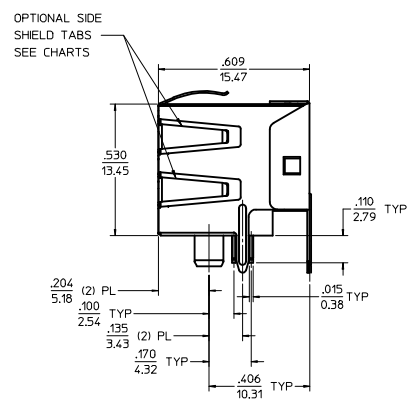
SHIELDED

(8) CIRCUIT HOUSING(S)

| X = NOT TOOLED | ASSEMBLY MATERIAL NUMBER | NUMBER OF CIRCUITS | NUMBER OF PORTS | PEG STYLE | SIDE SHIELD TAB OPTION | DIM -A- | DIM -B- | DIM -C- |
|----------------|--------------------------|--------------------|-----------------|-----------|------------------------|-------------|-------------|------------|
| | 44248-0085 | 8 | 2 | SNAP-FIT | A | 1,274/32.36 | 1,120/28.45 | .469/11.92 |
| | 44248-0086 | 8 | 4 | SNAP-FIT | A | 2,514/63.86 | 2,360/59.94 | .469/11.92 |
| | 44248-0089 | 8 | 2 | PRESS-FIT | A | 1,274/32.36 | 1,120/28.45 | .469/11.92 |
| | 44248-0090 | 8 | 4 | PRESS-FIT | A | 2,514/63.86 | 2,360/59.94 | .469/11.92 |
| X | 44248-0119 | 8 | 4 | PRESS FIT | B | 2,514/63.86 | 2,360/59.94 | .469/11.92 |

(6) CIRCUIT HOUSING(S)

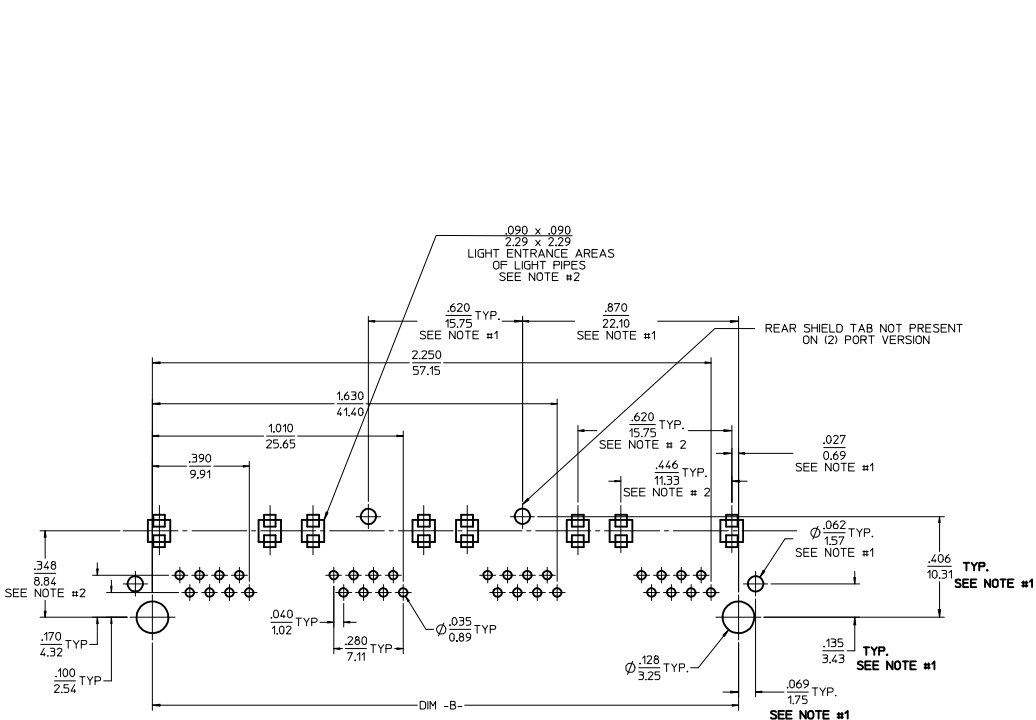
| ASSEMBLY MATERIAL NUMBER | NUMBER OF CIRCUITS | NUMBER OF PORTS | PEG STYLE | SIDE SHIELD TAB OPTION | DIM -A- | DIM -B- | DIM -C- |
|--------------------------|--------------------|-----------------|-----------|------------------------|-------------|-------------|-----------|
| 44248-0093 | 6 | 2 | SNAP-FIT | A | 1,274/32.36 | 1,120/28.45 | .389/9.88 |
| 44248-0094 | 4 | 2 | SNAP-FIT | A | 1,274/32.36 | 1,120/28.45 | .389/9.88 |
| 44248-0095 | 6 | 4 | SNAP-FIT | A | 2,514/63.86 | 2,360/59.94 | .389/9.88 |
| 44248-0096 | 4 | 4 | SNAP-FIT | A | 2,514/63.86 | 2,360/59.94 | .389/9.88 |
| 44248-0101 | 6 | 2 | PRESS-FIT | A | 1,274/32.36 | 1,120/28.45 | .389/9.88 |
| 44248-0102 | 4 | 2 | PRESS-FIT | A | 1,274/32.36 | 1,120/28.45 | .389/9.88 |
| 44248-0103 | 6 | 4 | PRESS-FIT | A | 2,514/63.86 | 2,360/59.94 | .389/9.88 |
| 44248-0104 | 4 | 4 | PRESS-FIT | A | 2,514/63.86 | 2,360/59.94 | .389/9.88 |



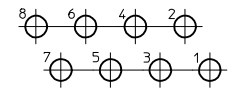
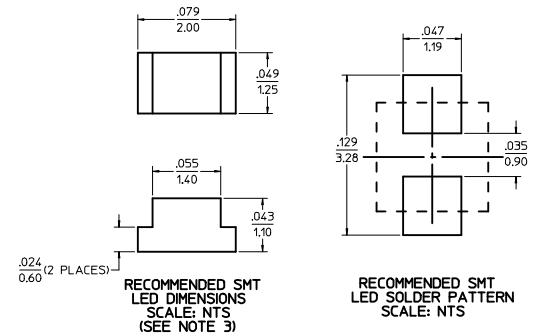
OPTIONAL SIDE SHIELD TABS
SEE CHARTS

- NOTES:
- MATERIAL:
HOUSING: POLYESTER(PBT), GLASS FILLED, UL94V-0, COLOR: BLACK
TERMINALS: PHOSPHOR BRONZE
SHIELD: BRASS
 - FINISH:
TERMINALS:
*SELECT GOLD IN CONTACT AREA: 50 MICRONCHES (1.27 MICROMETERS) MIN.
*SELECT TIN IN PC-TAIL AREA: 100 MICRONCHES (2.54 MICROMETERS) MIN.
WITH OVERALL NICKEL UNDERPLATE: 50 MICRONCHES (1.27 MICROMETERS) MIN.
SHIELD:
*100 MICRONCHES (2.54 MICROMETERS) NICKEL OVER 50 MICRONCHES (1.27 MICROMETERS) COPPER UNDERPLATE PCB GROUND TABS DIPPED IN TIN
*THE PRIMARY SHIPPING CARTON WILL BE LABELED "COMPLIANT TO RoHS DIRECTIVE 2002/95/EC AND ELV ANNEX II OF DIRECTIVE 2000/53/EC"
CARTONS WITHOUT THIS LABEL MAY CONTAIN PRODUCT WITH TIN-LEAD IN THE PC TAILS AND/OR SHIELD.
 - PRODUCT SPECIFICATION AND PROCESSING PARAMETERS: PS-43860-003.
 - PACKAGING SPECIFICATION:
CONNECTOR ASSEMBLIES IN THERMOFORMED TRAYS PER MOLEX PACKAGING SPECIFICATION PK-44248-004.
 - ALL UNTOLERANCED DIMENSIONS ARE SHOWN FOR REFERENCE ONLY.
 - CONFORMS TO FCC REGULATION PART 68.5 FOR MODULAR JACKS.
 - MODJACKS AVAILABLE WITH EITHER SNAP-FIT OR PRESS-FIT PEGS.
THIS DRAWING SHOWS SNAP-FIT PEGS.
 - PCB LAYOUT AND PANEL CUT-OUT SHOWN ON SHEETS (5) AND (6).
 - THIS PART CONFORMS TO CLASS B REQUIREMENTS OF COSMETIC SPECIFICATION PS-43499-002.

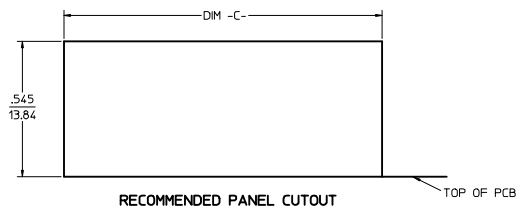
| | | | | | | |
|--|--|---|--|------------------------------|---------------------|---|
| CHGD 0117 TO 0119 IEC NO: UCP2009-1482 DRAWN: KLOS/TEHLER 2008/12/10 CHKD: BELL 2008/12/10 APPR: FENLTH 2008/12/10 | QUALITY SYMBOLS | GENERAL TOLERANCES (UNLESS SPECIFIED) | DIMENSION STYLE | SCALE | DESIGN UNITS | THIRD ANGLE PROJECTION |
| | ▽=0 ▽=0 | mm INCH 4 PLACES ± --- ± --- 3 PLACES ± --- ± .010 2 PLACES ± 0.25 ± --- 1 PLACE ± --- ± --- ANGULAR ±1/2° | IN/MM DATE DRAWN BY: MMAYO 98/10/06 CHECKED BY: JROBERTS 98/10/06 APPROVED BY: JROBERTS 98/10/06 | 4:1 | INCH | TITLE GANGED INVERTED MODJACK ASSEMBLY |
| | DRAFT WHERE APPLICABLE MUST REMAIN WITHIN DIMENSIONS | SEE CHART | MATERIAL NO. MOLEX INCORPORATED | DOCUMENT NO. SD-44248-001 | SHEET NO. 4 OF 6 | |
| | | SIZE D THIS DRAWING CONTAINS INFORMATION THAT IS PROPRIETARY TO MOLEX INCORPORATED AND SHOULD NOT BE USED WITHOUT WRITTEN PERMISSION | | | | |



8 CIRCUIT PCB LAYOUT: COMPONENT SIDE
 RECOMMENDED PCB THICKNESS: .062/1.57
 TOLERANCE ±.003/.076 UNLESS OTHERWISE SPECIFIED

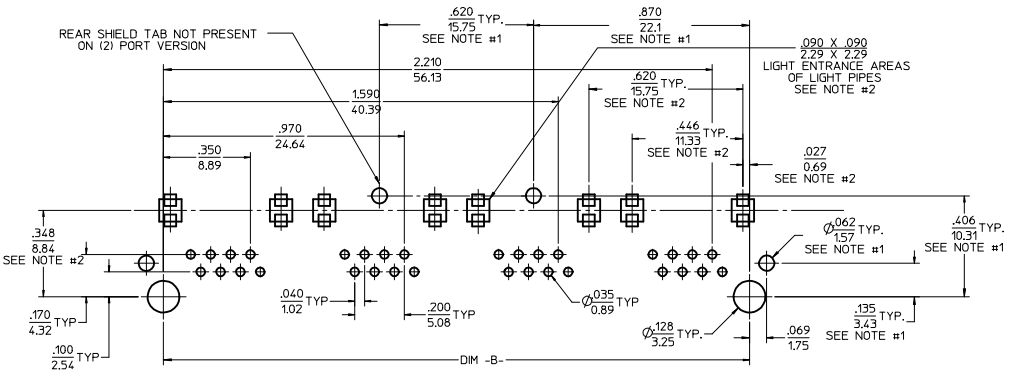


- NOTES:
- 1) DIMENSIONS MARKED "SEE NOTE #1" REFER TO ASSEMBLIES WITH THE SHIELDING OPTION INCLUDED
 - 2) DIMENSIONS MARKED "SEE NOTE #2" REFER TO ASSEMBLIES WITH THE LIGHT PIPE OPTION INCLUDED
 - 3) FOR CROSS REFERENCE OF RECOMMENDED LEADS SEE MOLEX WEB SITE.

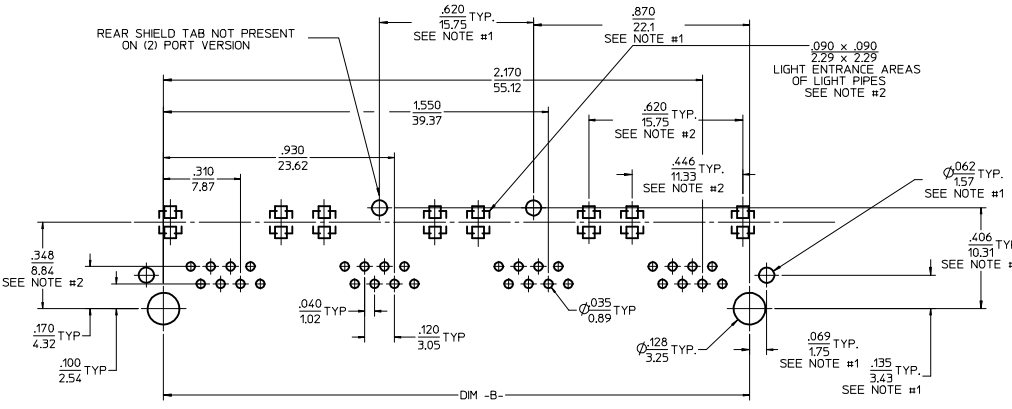


| NUMBER OF PORTS | DIM -B- | DIM -C- |
|-----------------|-------------|-------------|
| 2 | 1.120/28.45 | 1.280/32.51 |
| 4 | 2.360/59.94 | 2.520/64.01 |

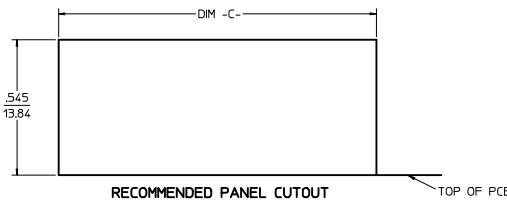
| | | | | | | | |
|--|--|---|---|--|---|--------------------------|---|
| SEE SHEET 1 IEC NO: LCP2009-1482 DRAWN: KLOSTNER 2008/12/10 CHKD: BELL 2008/12/10 APPROV: SMITH 2008/12/10 | QUALITY SYMBOLS | GENERAL TOLERANCES (UNLESS SPECIFIED) | DIMENSION STYLE | SCALE | DESIGN UNITS | THIRD ANGLE PROJECTION | |
| | ▼=0 ▽=0 | mm INCH 4 PLACES ± --- ± --- 3 PLACES ± --- ± .010 2 PLACES ± 0.25 ± --- 1 PLACE ± --- ± --- ANGULAR ±1/2° | IN/MM 4:1 INCH | DRAWN BY: MMAYO CHECKED BY: JROBERTS APPROVED BY: JROBERTS DATE: 98/10/06 DATE: 98/10/06 DATE: 98/10/06 | TITLE: GANGED INVERTED MODJACK ASSEMBLY | MOLEX MOLEX INCORPORATED | MATERIAL NO: N/A DOCUMENT NO: SD-44248-001 |
| | DRAFT WHERE APPLICABLE MUST REMAIN WITHIN DIMENSIONS | SIZE: D | THIS DRAWING CONTAINS INFORMATION THAT IS PROPRIETARY TO MOLEX INCORPORATED AND SHOULD NOT BE USED WITHOUT WRITTEN PERMISSION | SHEET NO: 5 OF 6 | | | |



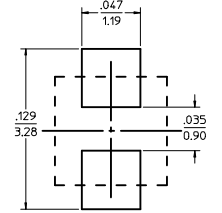
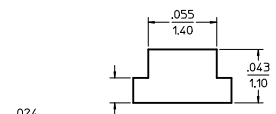
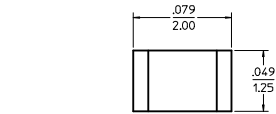
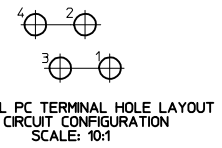
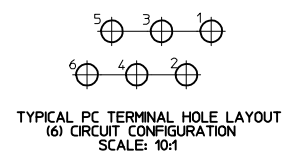
6 CIRCUIT PCB LAYOUT: COMPONENT SIDE
 RECOMMENDED PCB THICKNESS: .062/157
 TOLERANCE ±.003/076 UNLESS OTHERWISE SPECIFIED



4 CIRCUIT PCB LAYOUT: COMPONENT SIDE
 RECOMMENDED PCB THICKNESS: .062/157
 TOLERANCE ±.003/076 UNLESS OTHERWISE SPECIFIED



| NUMBER OF PORTS | DIM -B- | DIM -C- |
|-----------------|-------------|-------------|
| 2 | 1.120/28.45 | 1.280/32.51 |
| 4 | 2.360/59.94 | 2.520/64.01 |



- NOTES:
- 1) DIMENSIONS MARKED "SEE NOTE #1" REFER TO ASSEMBLIES WITH SHIELDING OPTION INCLUDED
 - 2) DIMENSIONS MARKED "SEE NOTE #2" REFER TO ASSEMBLIES WITH THE LIGHT PIPE OPTION INCLUDED
 - 3) FOR CROSS REFERENCE OF RECOMMENDED LEDS SEE MOLEX WEB SITE.

| SEE SHEET 1 SEC NO: UCP2009-1482 DRAWN: KLOSTNER 2008/12/10 CHKD: BELL 2008/12/10 APPR: SMITH 2008/12/10 | QUALITY SYMBOLS | GENERAL TOLERANCES (UNLESS SPECIFIED) | DIMENSION STYLE | SCALE | DESIGN UNITS | THIRD ANGLE PROJECTION | | | | | | | | | | | | | | | |
|--|----------------------------|---|-----------------|-------|--------------|------------------------|------|------|----------|------|-------|----------|-------|------|---------|------|------|--|-----|------|---------------------------------------|
| | ▽=0 ▽=0 | <table border="1"> <thead> <tr> <th></th> <th>mm</th> <th>INCH</th> </tr> </thead> <tbody> <tr> <td>4 PLACES</td> <td>+---</td> <td>+---</td> </tr> <tr> <td>3 PLACES</td> <td>+---</td> <td>+0.10</td> </tr> <tr> <td>2 PLACES</td> <td>+0.25</td> <td>+---</td> </tr> <tr> <td>1 PLACE</td> <td>+---</td> <td>+---</td> </tr> </tbody> </table> ANGULAR ±1/2° | | mm | INCH | 4 PLACES | +--- | +--- | 3 PLACES | +--- | +0.10 | 2 PLACES | +0.25 | +--- | 1 PLACE | +--- | +--- | IN/MM DRAWN BY: MMAYO DATE: 98/10/06 CHECKED BY: JROBERTS DATE: 98/10/06 APPROVED BY: JROBERTS DATE: 98/10/06 | 4:1 | INCH | M GANGED INVERTED MODJACK ASSEMBLY |
| | | mm | INCH | | | | | | | | | | | | | | | | | | |
| 4 PLACES | +--- | +--- | | | | | | | | | | | | | | | | | | | |
| 3 PLACES | +--- | +0.10 | | | | | | | | | | | | | | | | | | | |
| 2 PLACES | +0.25 | +--- | | | | | | | | | | | | | | | | | | | |
| 1 PLACE | +--- | +--- | | | | | | | | | | | | | | | | | | | |
| DRAFT WHERE APPLICABLE MUST REMAIN WITHIN DIMENSIONS | MATERIAL NO. N/A SIZE D | MOLEX INCORPORATED DOCUMENT NO. SD-44248-001 SHEET NO. 6 OF 6 | | | | | | | | | | | | | | | | | | | |