

PLEASE CHECK WWW.MOLEX.COM FOR LATEST PART INFORMATION

Part Number: [0352100210](#)
Status: **Active**
Overview: [kk](#)
Description: 2.50mm (.098") Pitch KK® Board-to-Board Receptacle, Vertical, Mates With 3022-NB, 2 Circuits

Documents:

[3D Model](#) [Product Specification PS-3022-NB-001 \(PDF\)](#)
[Drawing \(PDF\)](#) [RoHS Certificate of Compliance \(PDF\)](#)

Agency Certification

CSA LR19980
 UL E29179

General

Product Family PCB Receptacles
 Series [35210](#)
 Application Board-to-Board
 Overview [kk](#)
 Product Name KK®

Physical

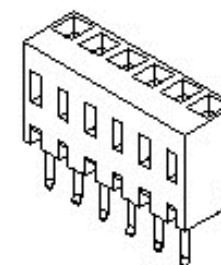
Circuits (Loaded) 2
 Circuits (maximum) 2
 Color - Resin Natural
 Durability (mating cycles max) 30
 Flammability 94V-0
 Glow-Wire Compliant No
 Guide to Mating Part No
 Keying to Mating Part None
 Lock to Mating Part No
 Material - Metal Phosphor Bronze
 Material - Plating Mating Tin
 Material - Plating Termination Tin
 Material - Resin Nylon
 Number of Rows 1
 Orientation Vertical
 PCB Locator No
 PCB Retention None
 PCB Thickness Recommended (in) 0.062 In
 PCB Thickness Recommended (mm) 1.60 mm
 Packaging Type Bag
 Pitch - Mating Interface (in) 0.098 In
 Pitch - Mating Interface (mm) 2.50 mm
 Polarized to PCB No
 Surface Mount Compatible (SMC) No
 Temperature Range - Operating -40°C to +105°C
 Termination Interface: Style Through Hole

Electrical

Current - Maximum per Contact 3A
 Grounding to PCB No
 Voltage - Maximum 250V

Material Info

Reference - Drawing Numbers



Series

image - Reference only

EU RoHS

**ELV and RoHS
Compliant**

REACH SVHC

Contains SVHC: No

Halogen-Free

Status

Not Reviewed

China RoHS



**Need more information on product
environmental compliance?**

Email productcompliance@molex.com
 For a multiple part number RoHS Certificate of Compliance, [click here](#)

Please visit the [Contact Us](#) section for any non-product compliance questions.

Search Parts in this Series

[35210Series](#)

Mates With

[3022-NB](#)

This document was generated on 06/07/2010

PLEASE CHECK WWW.MOLEX.COM FOR LATEST PART INFORMATION

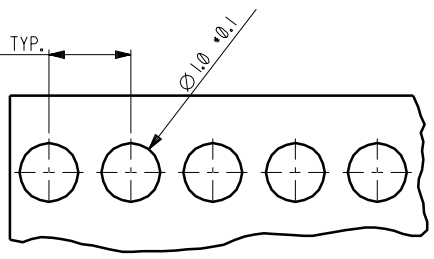
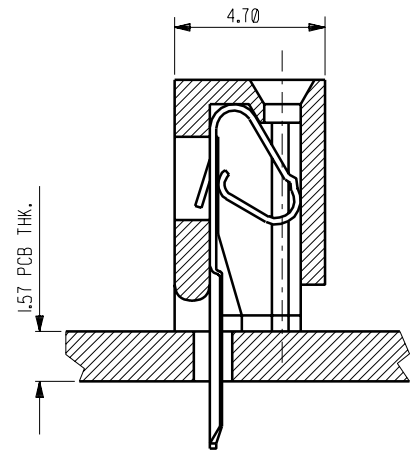
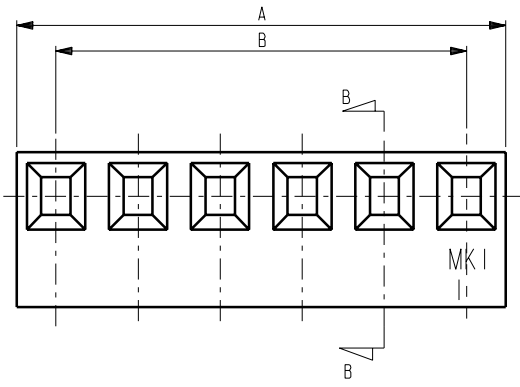
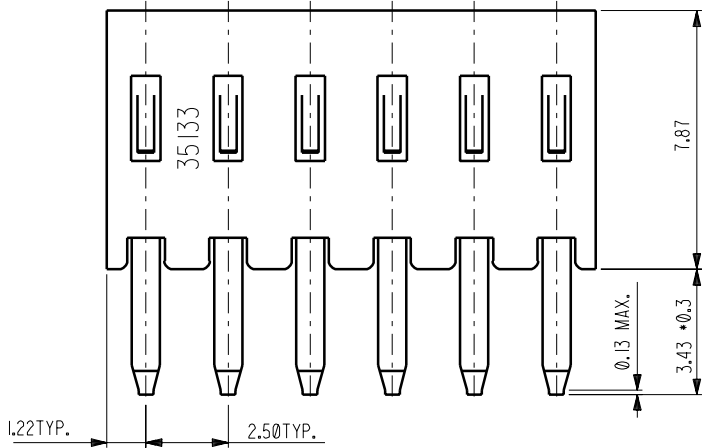
DO NOT SCALE DRAWING
DIMENSION IN METRIC

PROJECT NO.

SIMILAR ITEM

EDP NO.

ENG. NO



PCB LAY OUT

NOTE

MATERIAL
HOUSING --- NYLON 66 UL94V-0
TERMINAL --- PHOSPHOR BRONZE

LEGEND
35210- ** | *
└──┬──┘
└──┘ 0° : NATURAL
└──┘ 6° : BROWN
CIRCUIT

ENG.NO.	△	CKT.SIZE	DIM.A	DIM.B
35210 - 021*		2	4.94	2.50
- 031*		3	7.44	5.00
- 041*		4	9.94	7.50
- 051*		5	12.44	10.00
- 061*		6	14.94	12.50
- 071*		7	17.44	15.00
- 081*		8	19.94	17.50
- 091*		9	22.44	20.00
- 101*		10	24.94	22.50
- 111*		11	27.44	25.00
- 121*		12	29.94	27.50
- 131*		13	32.44	30.00
- 141*		14	34.94	32.50
- 151*		15	37.44	35.00
- 161*		16	39.94	37.50
- 171*		17	42.44	40.00
- 181*		18	44.94	42.50
- 191*		19	47.44	45.00
35210 - 201*		20	49.94	47.50

ASS'Y PART		QTY/REEL OR PACK	SURFACE AREA	MATERIAL	SEE NOTE	WIRE RANGE	GENERAL TOLERANCES	MOLEX MOLEX-KOREA CO.,LTD.
DESCRIPTION	ENG.NO.		MM ²	DIMENSION CLASSIFICATION		AWG: —	DIM. : 0.20	
C	REVISED	92- 025	92 7/06	■ : CRITICAL □ : MINOR () : REFERENCE		MM ² : —	ANGLE : 2°	REVISE ONLY ON CAD SYSTEM
B	RELEASED	92- 008	92 2/24	DRAWN BY H.S.SHIN		INSULATION RANGE	TITLE: KK.25 BOARD TO BOARD TOP ENTRY ASS'Y	
A	NEW RELEASED	91- 0014	91 9.16	CHK'D BY	SCALE CAD 6-1		ENG.NO. SDA-35210-*** *	
I	TEMPORARY RELEASED			APP'D BY			REV C	
LTR	REVISION RECORD	ECN	DR./CHK	DATE	DIE FEED	APPL FEED	WBDW	IBDW