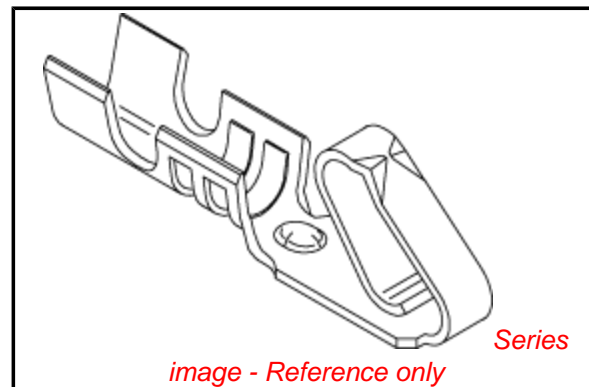


**PLEASE CHECK WWW.MOLEX.COM FOR LATEST PART INFORMATION**

**Part Number:** [0008700069](#)  
**Status:** **Active**  
**Overview:** [kk](#)  
**Description:** KK® Cat Ear Crimp Terminal 5159, 22-28 AWG, Bag, Brass, Tin (Sn) over Copper Plating

**Documents:**

<a href="#">3D Model</a>	<a href="#">Product Specification PS-5102-004 (PDF)</a>
<a href="#">Drawing (PDF)</a>	<a href="#">Product Specification PS-5159-001 (PDF)</a>
<a href="#">Product Specification PS-5045-001 (PDF)</a>	<a href="#">Product Specification PS-5159-002 (PDF)</a>
<a href="#">Product Specification PS-5045-002 (PDF)</a>	<a href="#">RoHS Certificate of Compliance (PDF)</a>



**General**

Product Family	Crimp Terminals
Series	5159
Crimp Quality Equipment	Yes
Overview	<a href="#">kk</a>
Product Name	Cat Ear, KK®

**Physical**

Gender	Female
Material - Metal	Brass
Material - Plating Mating	Tin
Material - Plating Termination	Tin
Packaging Type	Bag
Plating min: Mating (µin)	35
Plating min: Mating (µm)	0.88
Plating min: Termination (µin)	35
Plating min: Termination (µm)	0.88
Termination Interface: Style	Crimp or Compression
Wire Insulation Diameter	1.20-1.70mm (.047-.067")
Wire Size AWG	22, 24, 26, 28
Wire Size mm²	N/A

**Material Info**

Old Part Number	5159TL
-----------------	--------

**Reference - Drawing Numbers**

Packaging Specification	SPK-5159-001
Product Specification	PS-5045-001, PS-5045-002, PS-5102-004, PS-5159-001, PS-5159-002
Sales Drawing	SD-5159*

**EU RoHS**

**ELV and RoHS Compliant**  
**REACH SVHC Contains SVHC: No**  
**Halogen-Free Status**

**China RoHS**



**Need more information on product environmental compliance?**

Email [productcompliance@molex.com](mailto:productcompliance@molex.com)  
 For a multiple part number RoHS Certificate of Compliance, [click here](#)

Please visit the [Contact Us](#) section for any non-product compliance questions.

**Search Parts in this Series**

[5159Series](#)

**Use With**

[2695](#) , [5051](#) , [6471](#) , [3071](#)

**Application Tooling | FAQ**

*Tooling specifications and manuals are found by selecting the products below. Crimp Height Specifications are then contained in the Application Tooling Specification document.*

**Global**

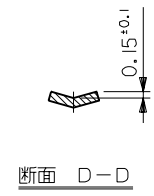
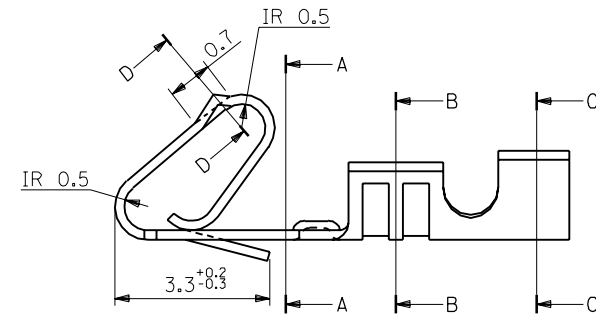
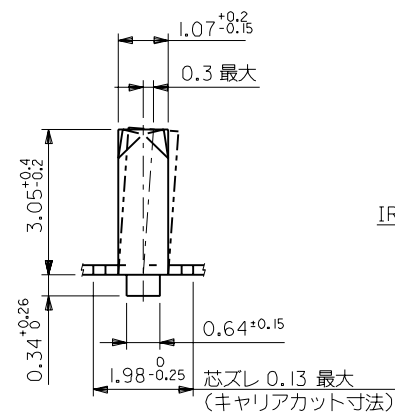
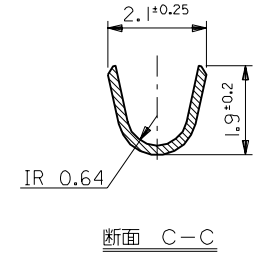
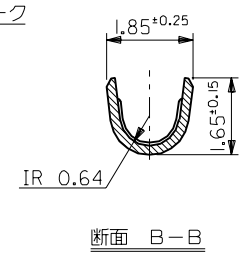
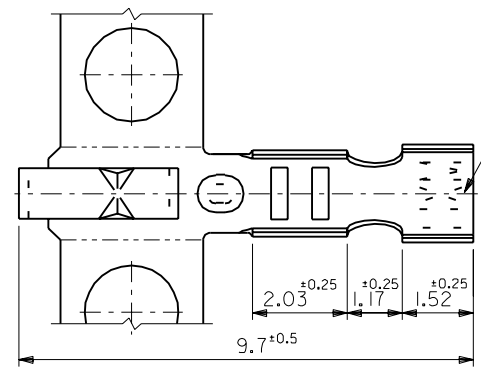
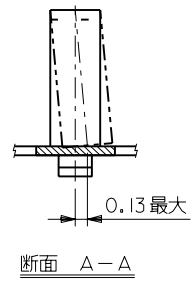
Description	Product #
Extraction Tool	<a href="#">0011030022</a>
Insertion Tool	<a href="#">0638120000</a>
Hand Crimp Tool	<a href="#">0638118200</a>

**Japan**

Description	Product #
Hand Extraction Tool	<a href="#">0011260059</a>
Hand Crimp Tool	<a href="#">0011260025</a>
JHTR2262J	

This document was generated on 06/01/2010

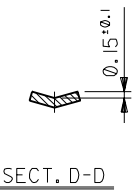
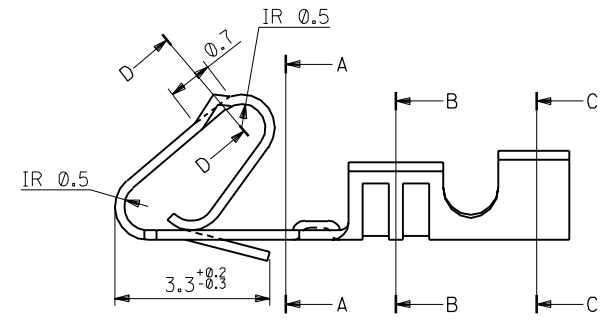
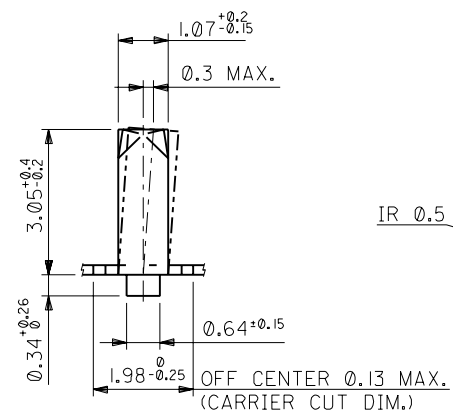
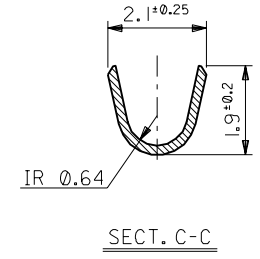
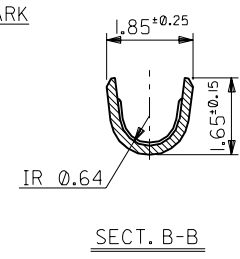
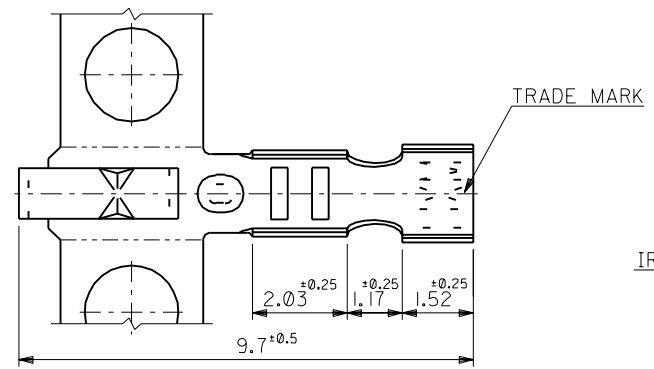
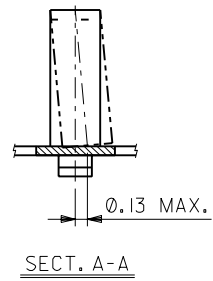
**PLEASE CHECK [WWW.MOLEX.COM](http://WWW.MOLEX.COM) FOR LATEST PART INFORMATION**



錫 0.9μm以上 リフロー処理	リン青銅 メッキ済	バラ状 連鎖状	08-70-0049 08-70-0048	5159PBTL 5159PBT
錫 0.9μm以上 銅下地 0.5μm以上 メッキ仕様	黄銅 メッキ済	バラ状 連鎖状	08-70-0069 08-70-0064	5159TL 5159T
材質	端子形状	EDP NO.	ENG. NO.	

材料 表参照 MATERIAL 表参照 板厚: 0.203				MOLEX JAPAN CO., LTD. 日本モレックス株式会社	
仕上げ 表参照 FINISH 表参照				EDP NO. 08-70-00**	
適用電線範囲 WIRE RANGE AWG #22-#28				ENG. NO. SD-5159*	
被覆外径 INS. RANGE Φ (1.2)-1.7				REV J	
DRAWN BY 90/7/9 S.MOCHIZUKI CHK'D BY 91/03/26 M.FUKUSHIMA APP'D BY 91/03/26 M.ENOMOTO				TITLE 名称 MINI. KK. CRIMP RECEPTACLE	
角 度 ANGLE ±3°					
30以上 OVER ±0.3					
10以上 30未満 UNDER ±0.25					
10未満 UNDER ±0.2					
一般公差 GENERAL TOLERANCES				REVISE ONLY ON CAD SYSTEM	
変更及び再作図 (JQ0775)				S.M. H.H. 90/7/9	
記号 LTR 変更内容 REVISION RECORD				DR. CHK. DATE	

THIS DRAWING CONTAINS INFORMATION THAT IS PROPRIETARY TO MOLEX(JAPAN) AND SHOULD NOT BE USED WITHOUT WRITTEN PERMISSION  
 本図面は日本モレックス(株)の所有する情報を含むもので 当社の許可なく複製を禁止する。



TIN 0.9um MIN. REFLOW TREATMENT	PHOSPHOR BRONZE PRE PLATED	LOOSE	08-70-0049	5159PBTL
		CHAIN	08-70-0048	5159PBT
TIN 0.9um MIN. OVER COPPER 0.5um MIN.	BRASS PRE PLATED	LOOSE	08-70-0069	5159TL
		CHAIN	08-70-0064	5159T
PLATING	MATERIAL	FORM	EDP NO.	ENG. NO.

材料 MATERIAL	SEE TABLE THK : 0.203	MOLEX-JAPAN CO.,LTD. 日本モレックス株式会社
仕上げ FINISH	SEE TABLE	
適用電線範囲 WIRE RANGE	AWG #22-#28	EDP. NO. 08-70-00**
被覆外径 INS. RANGE	$\Phi (1.2) - 1.7$	ENG. NO. SD-5159*
DRAWN BY 90/7/9 S.MOCHIZUKI	CHK'D BY 91/03/26 M.FUKUSHIMA	TITLE 名称 MINI. KK. CRIMP RECEPTACLE
APP'D BY 91/03/26 M.ENOMOTO	SCALE 10-1	REV J

角度 ANGLE	$\pm 3^\circ$
30以上 OVER	$\pm 0.3$
10以上 30未滿 OVER UNDER	$\pm 0.25$
10未滿 UNDER	$\pm 0.2$
一般公差 GENERAL TOLERANCES	REVISE ONLY ON CAD SYSTEM

THIS DRAWING CONTAINS INFORMATION THAT IS PROPRIETARY TO MOLEX(JAPAN) AND SHOULD NOT BE USED WITHOUT WRITTEN PERMISSION  
 本図面は日本モレックス (株) の所有する情報を含むもので 当社の許可なく複製を禁止する。