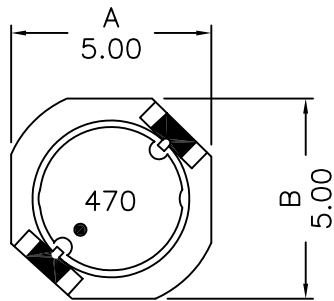
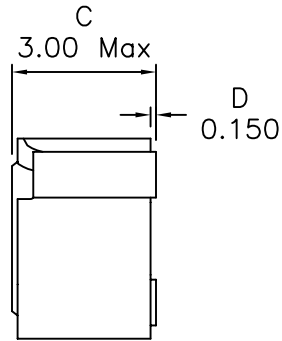


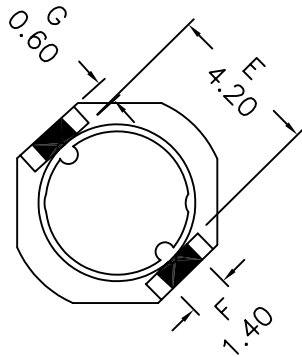
1. Mechanical Dimensions:



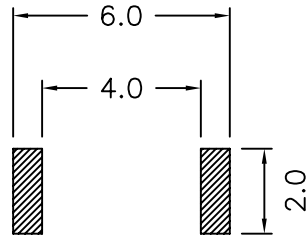
(TOP VIEW)



(SIDE VIEW)

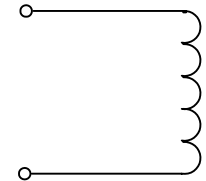


(BOTTOM VIEW)



Suggested Pad Layout

2. Schematic:



3. Electrical Specification:

Inductance: $47\mu\text{H} \pm 20\%$ @100KHz 0.1V

DCR: 268 mOhms Max

Isat: 0.34Adc Max (Based on OCL drop by 30%)

Irms: 0.75A Max (Based on 40% Temp Rise)

Notes:

1. Solderability: Leads shall meet MIL-STD-202, Method 208D for solderability.
2. Flammability: UL94V-0
3. ASTM oxygen index: > 28%
4. Temperature rating: 155°C. UL file E151556
5. Operating Temperature Range: -40°C to +85°C

XFMRs Inc.	Title: INDUCTOR		
UNLESS OTHERWISE SPECIFIED TOLERANCES: .xx ±0.25 Dimensions in MM	P/N: XF505030SH-470M	REV. A	
	DWN.	Kang Chen	Dec-16-03
	CHK.	YK Liao	Dec-16-03
SHEET 1 OF 1	APP.	BW	Dec-16-03

DOC REV: A/2