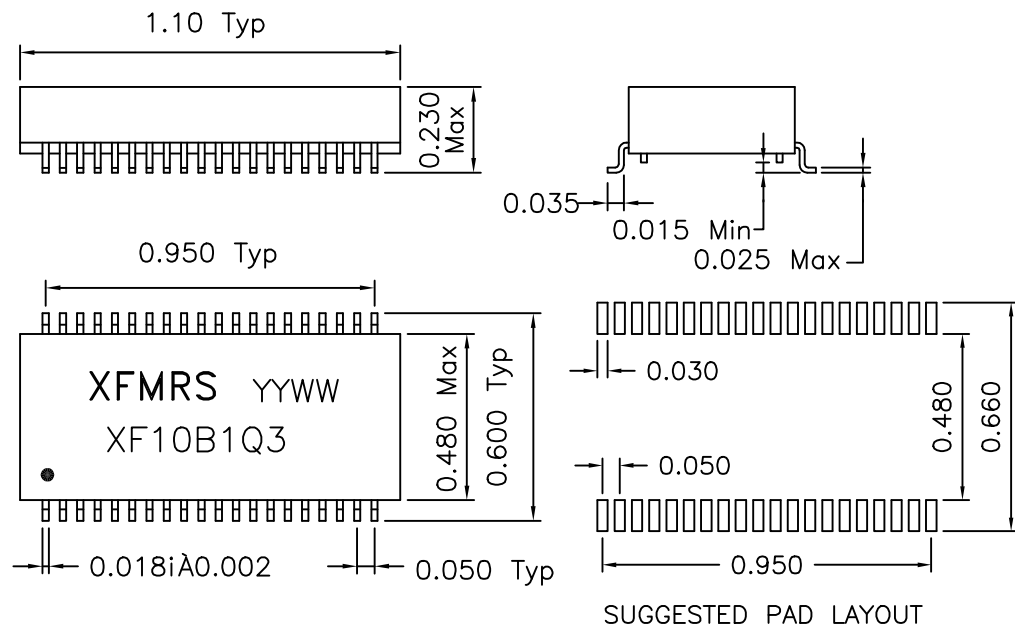


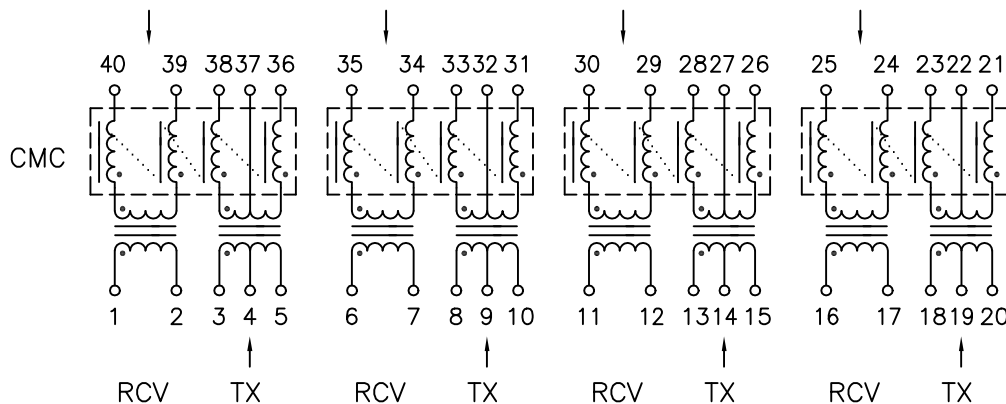
1. Dimensions:



3. Electrical Specifications: @25°C

- Pri/Sec Isolation: 1500 Vrms
- Insulation Resistance: 10,000M ohms
- Turns Ratio: 1CT:1CT (TX)
- Turns Ratio: 1 : 1 (RCV)
- PRI OCL: 80uH Minimum (TX&RCV) @100KHz 50mV
- Cw/w: 12pF Maximum (PRI/SEC) @100KHz 50mV
- Leakage Inductance: 0.30uH Max @TX (SEC Shorted)
- Leakage Inductance: 0.30uH Max @RCV (SEC Shorted) @100KHz 50mV
- PRI DC Resistance: 0.30 Ohms Max (TX & RCV)
- CMR Choke OCL: 30uH Typical @100KHz 50mV

2. Schematic:



DOC.REV C/1

XFMR5 Inc UNLESS OTHERWISE SPECIFIED TOLERANCES: .xxx ±0.010 Dimensions in INCH SCALE 2:1 SHT 1 OF 1	Title: Quad Ports 10BASE-T Modules	
	P/N: XF10B1Q3	REV. C
	DWN. 廖玉坤	Jul-20-00
	CHK. 李清儿	Jul-20-00
APP. Joe Huff	Jul-20-00	