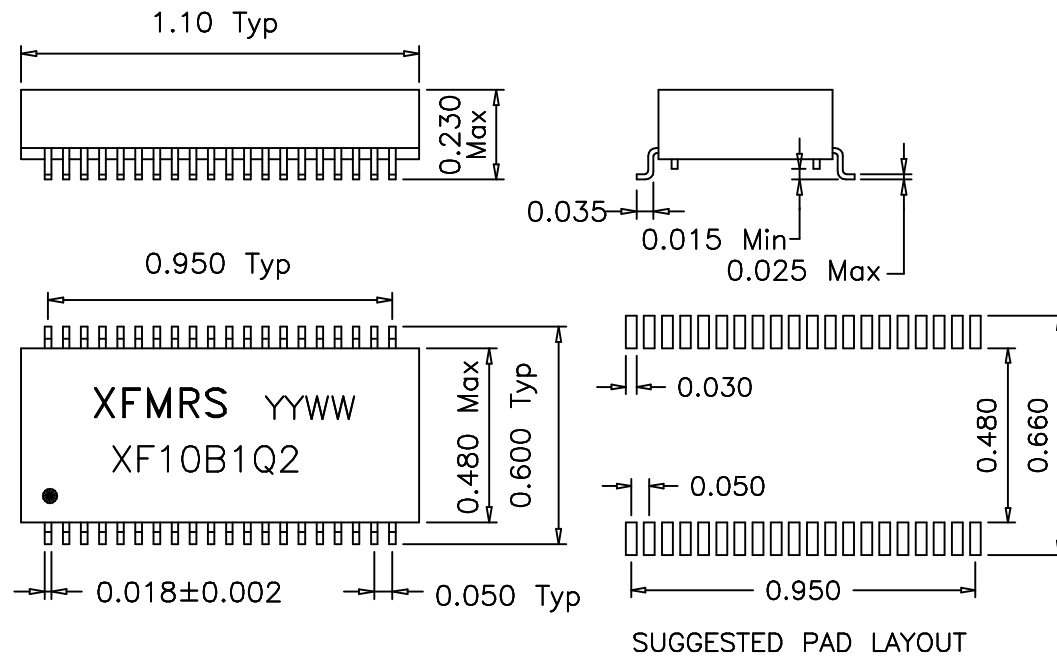
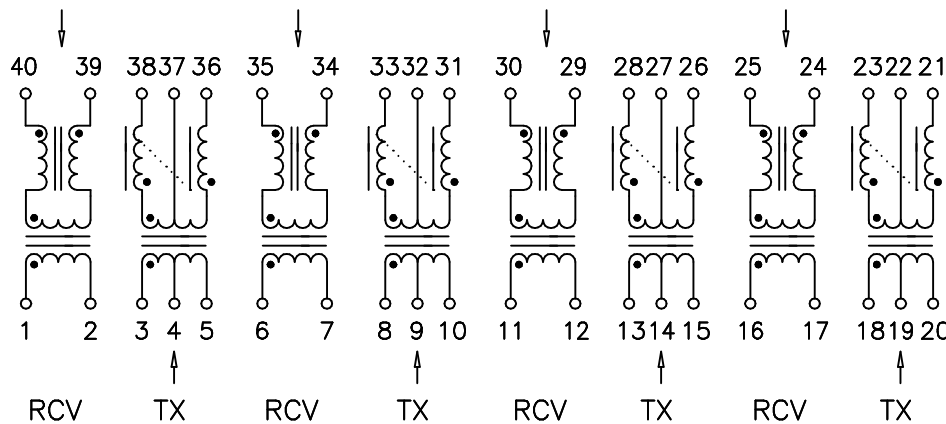


1. Dimensions:



2. Schematic:



DOC REV: A/1

3. Electrical Specifications: @25°C

- Pri/Sec Isolation: 1500 Vrms
- Insulation Resistance: 10,000 Mohms
- Turns Ratio: 1CT:1.414CT (TX)
- Turns Ratio: 1 : 1 (RCV)
- PRI OCL: 140 uH Typical (TX&RCV) @100KHz 50mV
- Cw/w: 12pF Maximum (PRI/SEC) @100KHz 50mV
- Leakage Inductance: 0.40uH Max @TX (SEC Shorted)
- Leakage Inductance: 0.40uH Max @RCV (SEC Shorted) @100KHz 50mV
- PRI DC Resistance: 0.40 Ohms Max (TX & RCV)
- CMR Choke OCL: 36uH Minimum @100KHz 50mV

Notes:

- Solderability: Leads shall meet MIL-STD-202, Method 208D for solderability.
- Flammability: UL94V-0
- ASTM oxygen index: > 28%
- Temperature rating: 155°C. UL file E151556
- Operating Temperature Range: -40°C to +85°C

THIS DOCUMENT IS STRICTLY NOT ALLOWED TO BE DUPLICATED WITHOUT AUTHORIZATION

XFMRS Inc	Title: Quad Ports 10BASE-T Modules	
	UNLESS OTHERWISE SPECIFIED TOLERANCES: .xxx ±0.010 Dimensions in INCH	P/N: XF10B1Q2 REV. A
SCALE 2:1 SHT 1 OF 1	DWN.	廖玉坤 Nov-07-01
	CHK.	李清儿 Nov-07-01
	APP.	Isaiah M Nov-07-01