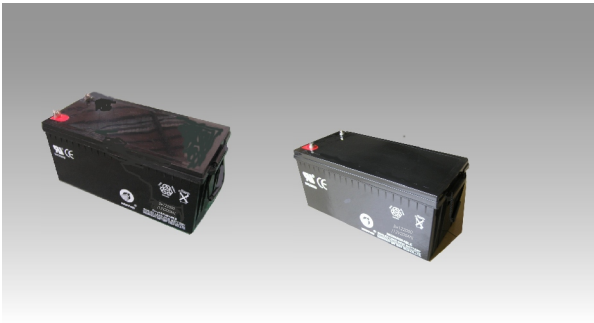
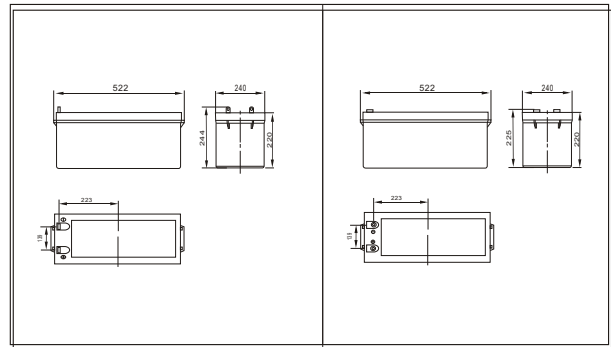




SW122000(12V200AH)



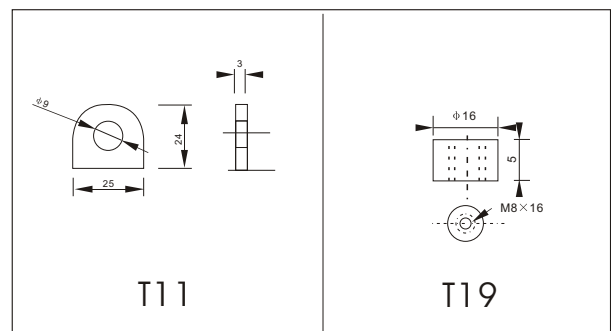
Outer dimensions (mm)



Specifications

| | | |
|------------------------------|--------------|----------------------|
| Nominal Voltage | | 12V |
| Rated capacity (10hour rate) | | 200 Ah |
| Dimensions | Total Height | 244 mm (9.60 inches) |
| | Height | 220 mm (8.66 inches) |
| | Length | 522 mm (20.6 inches) |
| | Width | 240 mm (9.45 inches) |
| Weight Approx | | 63.5 Kg (140.4 lbs) |

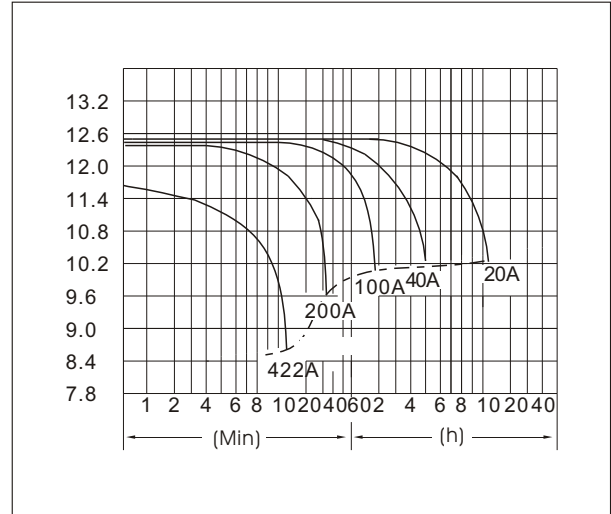
Terminal Type (mm)



Characteristics

| | | |
|--|---|---|
| Capacity 25°C(77°F) | 10 hour rate(20A) 5 hour rate(32A) 1 hour rate(120A) | 200 AH 160 AH 120 AH |
| Internal Resistance | Full charged Battery at 25°C(77°F) | approx 2.8mΩ |
| Capacity affected by Temperature (10hour rate) | 40°C(104°F) 25°C(77°F) 0°C(32°F) -15°C(5°F) | 102% 100% 85% 65% |
| Self-Discharge at 25°C(77°F) | Capacity after 3 month storage Capacity after 6 month storage Capacity after 12 month storage | 91% 82% 64% |
| Terminal | T11 T19 | |
| Charge (constant Voltage) | Cycle | Initial Charging Current less than 80 A Voltage 14.10-14.40V |
| | Float | Voltage 13.50-13.80V |

Discharge Curves 25°C(77°F)



Constant Current(Amp) and Constant Power(Watt) Discharge Table at 25°C(77°F)

| Time | | 5min | 10min | 15min | 30min | 1h | 2h | 3h | 4h | 5h | 8h | 10h | 20h |
|-------|---|------|-------|-------|-------|------|-----|-----|-------|-------|-------|-------|-------|
| 960V | A | 641 | 422 | 340 | 228 | 120 | 70 | 51 | 40.0 | 33.0 | 23.4 | 21.0 | 11.3 |
| | W | 6611 | 4507 | 3648 | 2451 | 1296 | 769 | 572 | 450.0 | 375.2 | 268.2 | 242.6 | 131.9 |
| 1020V | A | 620 | 381 | 320 | 218 | 113 | 67 | 50 | 39.0 | 32.4 | 22.8 | 20.6 | 11.0 |
| | W | 6626 | 4252 | 3585 | 2447 | 1276 | 770 | 579 | 453.5 | 377.7 | 266.8 | 242.0 | 129.0 |
| 1050V | A | 600 | 341 | 280 | 204 | 109 | 65 | 49 | 38.4 | 32.0 | 22.6 | 20.2 | 11.0 |
| | W | 6554 | 3875 | 3198 | 2348 | 1265 | 756 | 569 | 449.3 | 375.2 | 265.8 | 239.0 | 130.0 |
| 1080V | A | 578 | 321 | 260 | 188 | 106 | 64 | 48 | 37.8 | 31.2 | 22.0 | 20.0 | 10.8 |
| | W | 6490 | 3702 | 3000 | 2178 | 1229 | 745 | 561 | 446.3 | 368.8 | 260.7 | 237.7 | 128.6 |
| 1110V | A | 559 | 301 | 240 | 168 | 102 | 62 | 46 | 36.8 | 30.4 | 21.4 | 19.0 | 10.2 |
| | W | 6339 | 3483 | 2798 | 1966 | 1200 | 733 | 546 | 438.3 | 362.8 | 256.3 | 229.4 | 123.6 |