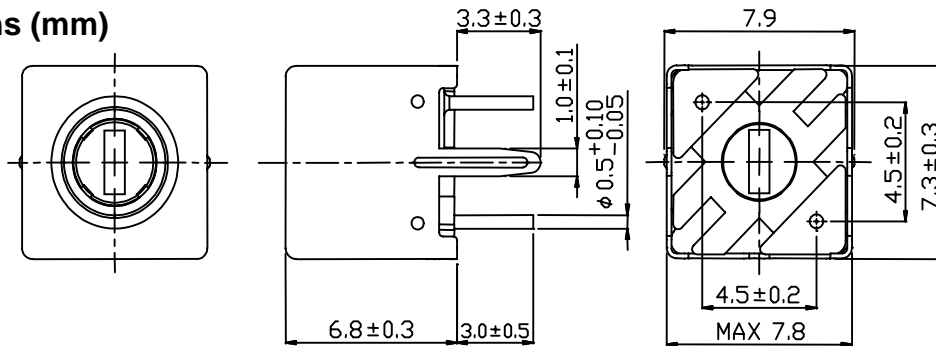


**Type: SM76**
**Product Description**

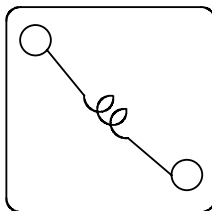
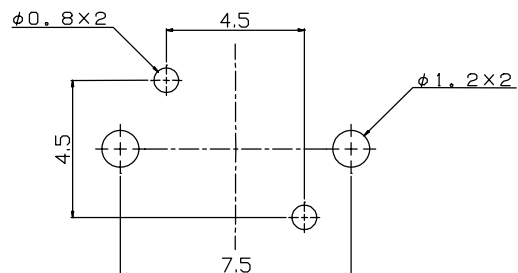
- 7.8 × 7.6mm Max.(L × W), 7.1mm Max. Height.
- Operating frequency:300MHz
- In addition to the reference versions of parameters shown here, custom designs are available to meet your exact requirements.


**Feature**

- Variable shielded type.
- RoHS Compliance

**Dimensions (mm)**


- \* Dimension does not include solder used on coil.
- \* Pin pitch should be measured at the root of terminal.
- \* Dimensions without tolerance are approx.

**Connection (Bottom View)**

**Land pattern(mm)**

**Specification (Part No.S0995259)**

Item	Specification	Measuring Condition
Tuning capacitance	9.6pF±2% Variable	200MHz
Unloaded Q	70 Min.	