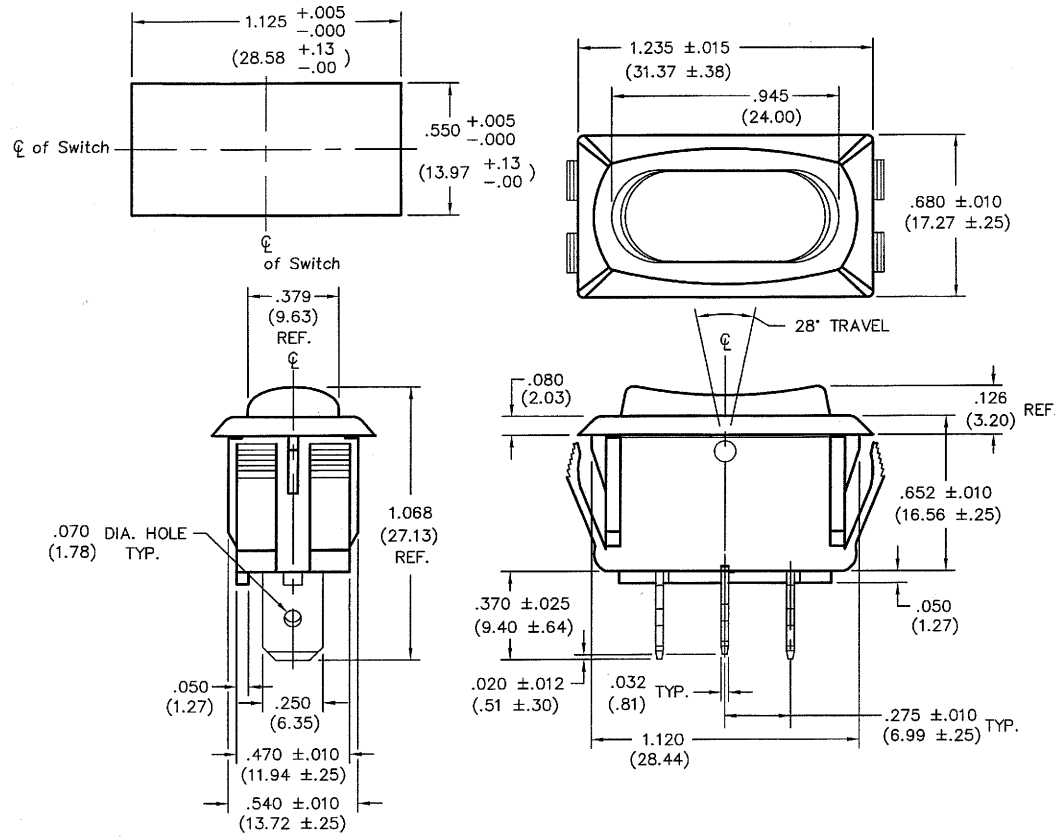


PANEL PIERCING



P/N	MATERIAL COLOR
GRS-2013A	
-2500	Button- Black BK-000 Housing- Black BK-000
-2501	Button- White WT-913 Housing- White WT-913

B-FORMAT 2002 REVISIONS 0 RELEASED DGW 8-13-2008 AUG 13 2008							CW INDUSTRIES Southampton, Pa. 18966 TOLERANCES UNLESS OTHERWISE SPECIFIED 2 Place Decimal ± 0.010 METRIC 3 Place Decimal ± 0.005 1 Place Dec. ± 0.25 mm Angles $\pm 1^\circ$ 2 Place Dec. ± 0.13 mm		Title: ROCKER SWITCH ASSY.-CENTER OFF STYLE LINE 1.125" x .550" PANEL	
							Made for: CW IND.		Division: SWITCH	
							Drawn by: DGW 8-13-2008		Dwg. No.	
							Checked by: <i>G. Guld</i> 8-15-08 Approval: <i>G. Guld</i> 8-15-08		GRS-2013A-2500 & -2501	

MASTER