

PLEASE CHECK WWW.MOLEX.COM FOR LATEST PART INFORMATION

Part Number: [0050650222](#)
Status: **Active**
Overview: [cgrid_sl_products](#)
Description: 2.54mm (.100") Pitch, SL™ Single Row Wire-to-Wire Panel Mount, 22 Circuits

Documents:

| | |
|---|--|
| 3D Model | Drawing (PDF) |
| Packaging Specification (PDF) | RoHS Certificate of Compliance (PDF) |

Agency Certification

| | |
|-----|---------|
| CSA | LR19980 |
| UL | E29179 |

General

| | |
|----------------|-----------------------------------|
| Product Family | Accessories |
| Series | 70018 |
| Component Type | Branch |
| Overview | cgrid_sl_products |
| Product Name | SL™ |

Physical

| | |
|---------------------|-----------|
| Circuits (Loaded) | 22 |
| Color - Resin | Black |
| Flammability | 94V-0 |
| Lock to Mating Part | Yes |
| Material - Resin | Polyester |
| Packaging Type | Bag |

Material Info

| | |
|-----------------|------------|
| Old Part Number | 70018-0021 |
|-----------------|------------|

Reference - Drawing Numbers

| | |
|---------------|--------------------|
| Sales Drawing | SD-70018-0001-0024 |
|---------------|--------------------|

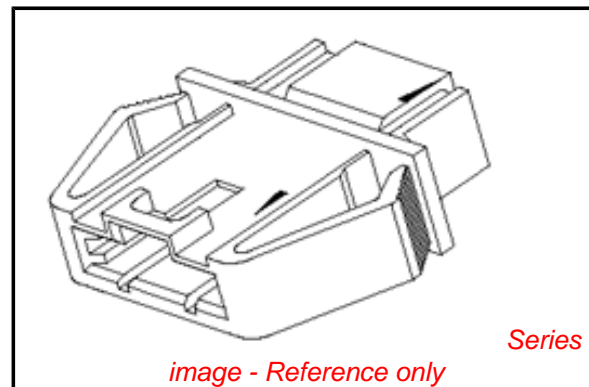


image - Reference only

EU RoHS

**ELV and RoHS
Compliant**
**REACH SVHC
Not Reviewed**
**Halogen-Free
Status
Not Reviewed**

China RoHS



**Need more information on product
environmental compliance?**

Email productcompliance@molex.com
 For a multiple part number RoHS Certificate of
 Compliance, [click here](#)

Please visit the [Contact Us](#) section for any
 non-product compliance questions.

Search Parts in this Series

[70018Series](#)

Use With

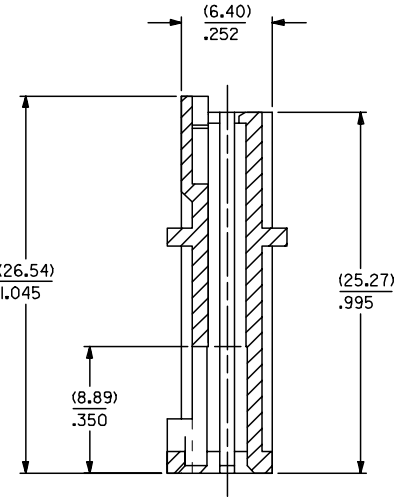
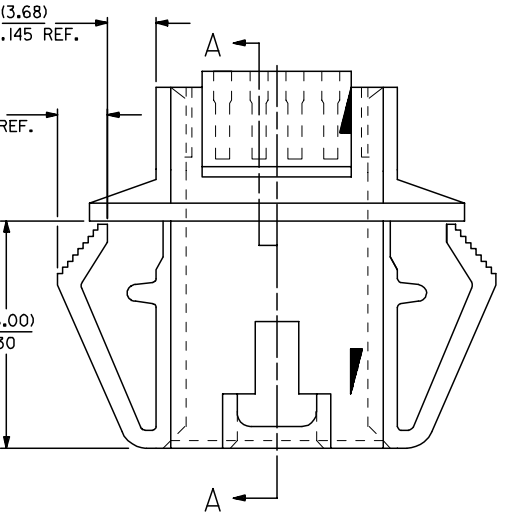
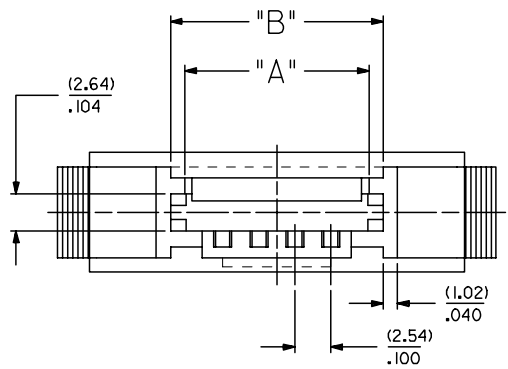
[70066](#) SL™ Crimp Housing. [70475](#) SL™
 IDT Connector Assembly. [70431](#) SL™ FFC/
 FPC Connector

13 12 11 10 9 8 7 6 5 4 3 2 1

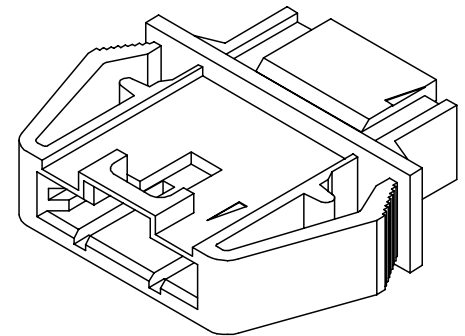
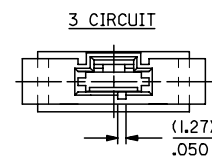
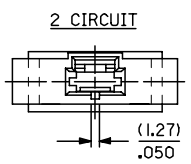
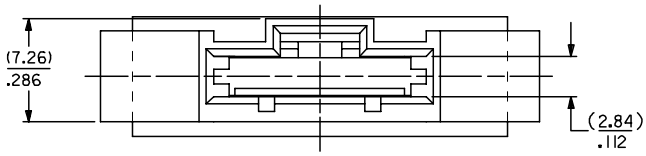
NOTES :

- 1) MATERIAL : POLYESTER, 94V-0
COLOR : BLACK
- 2) SEE CHART FOR CIRCUIT SIZES .
- 3) HOUSING TO BE USED WITH 70400 SERIES HOUSING (OPTION 'G' & OPTION 'D')
- 4) PANEL THICKNESS (0.81)/.032 - (2.36)/.093
- 5) SEE SHEET 2 FOR MOUNTING HOLE DIMENSIONS .
- 6) PACKAGE PER PK-70018-100.

| CKT. NO. | EDP. NO. | ENG. NO. | DIM. A | DIM. B |
|----------|------------|------------|------------------|------------------|
| 2 | 50-65-0202 | 70018-0001 | (5.21) .205 | (7.37) .290 |
| 3 | 50-65-0203 | 70018-0002 | (7.75) .305 | (9.91) .390 |
| 4 | 50-65-0204 | 70018-0003 | (10.29) .405 | (12.45) .490 |
| 5 | 50-65-0205 | 70018-0004 | (12.83) .505 | (14.99) .590 |
| 6 | 50-65-0206 | 70018-0005 | (15.37) .605 | (17.53) .690 |
| 7 | 50-65-0207 | 70018-0006 | (17.91) .705 | (20.07) .790 |
| 8 | 50-65-0208 | 70018-0007 | (20.45) .805 | (22.61) .890 |
| 9 | 50-65-0209 | 70018-0008 | (22.99) .905 | (25.15) .990 |
| 10 | 50-65-0210 | 70018-0009 | (25.53) 1.005 | (27.69) 1.090 |
| 11 | 50-65-0211 | 70018-0010 | (28.07) 1.105 | (30.23) 1.190 |
| 12 | 50-65-0212 | 70018-0011 | (30.61) 1.205 | (32.77) 1.290 |
| 13 | 50-65-0213 | 70018-0012 | (33.15) 1.305 | (35.31) 1.390 |
| 14 | 50-65-0214 | 70018-0013 | (35.69) 1.405 | (37.89) 1.490 |
| 15 | 50-65-0215 | 70018-0014 | (38.23) 1.505 | (40.39) 1.590 |
| 16 | 50-65-0216 | 70018-0015 | (40.77) 1.605 | (42.93) 1.690 |
| 17 | 50-65-0217 | 70018-0016 | (43.31) 1.705 | (45.47) 1.790 |
| 18 | 50-65-0218 | 70018-0017 | (45.85) 1.805 | (48.01) 1.890 |
| 19 | 50-65-0219 | 70018-0018 | (48.39) 1.905 | (50.55) 1.990 |
| 20 | 50-65-0220 | 70018-0019 | (50.93) 2.005 | (53.09) 2.090 |
| 21 | 50-65-0221 | 70018-0020 | (53.47) 2.105 | (55.63) 2.190 |
| 22 | 50-65-0222 | 70018-0021 | (56.01) 2.205 | (58.17) 2.290 |
| 23 | 50-65-0223 | 70018-0022 | (58.55) 2.305 | (60.71) 2.390 |
| 24 | 50-65-0224 | 70018-0023 | (61.09) 2.405 | (63.25) 2.490 |
| 25 | 50-65-0225 | 70018-0024 | (63.63) 2.505 | (65.79) 2.590 |



SECTION A-A



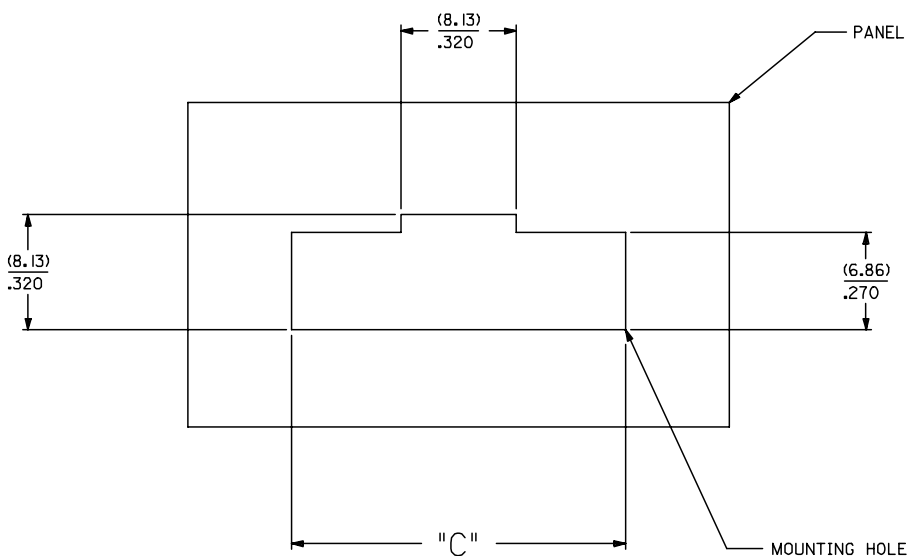
| | | | | | | | | |
|---|-------------------------------|--|--|---|--|--|--------------|------------------------|
| REVISE EC NO. UCP2008-0711 DRAWN: JORGAN 2007/10/02 CHKD: MS BARRA 2007/10/09 APPR: SMILLER 2007/10/10 M | QUALITY SYMBOLS ▽=0 ▽=0 | GENERAL TOLERANCES (UNLESS SPECIFIED) | | DIMENSION STYLE MM/IN | | SCALE | DESIGN UNITS | THIRD ANGLE PROJECTION |
| | | | | | | INCH | INCH | |
| | | 4 PLACES ± --- ± --- 3 PLACES ± --- ± .010 2 PLACES ± 0.25 ± .014 1 PLACE ± 0.35 ± --- ANGULAR ±1/2° | | DRAWN BY DATE ME 1984/04/10 CHECKED BY DATE WZ 1984/04/10 APPROVED BY DATE RL 1984/04/10 | | FILE HOUSING PANEL MOUNT (OPTION G HOUSING TO OPTION D HOUSING) | | |
| | | DRAFT WHERE APPLICABLE MUST REMAIN WITHIN DIMENSIONS | | MATERIAL NO. SEE CHART | | DOCUMENT NO. SD-70018-0001-0024 | | |

12 11 10 9 8 7 6 5 4 3 2 1

13 12 11 10 9 8 7 6 5 4 3 2 1

J
I
H
G
F
E
D
C
B
A

| CKT. NO. | EDP. NO. | ENG. NO. | DIM. C |
|----------|------------|------------|------------------|
| 2 | 50-65-0202 | 70018-0001 | (15.87) .625 |
| 3 | 50-65-0203 | 70018-0002 | (18.41) .725 |
| 4 | 50-65-0204 | 70018-0003 | (20.95) .825 |
| 5 | 50-65-0205 | 70018-0004 | (23.49) .925 |
| 6 | 50-65-0206 | 70018-0005 | (26.03) 1.025 |
| 7 | 50-65-0207 | 70018-0006 | (28.57) 1.125 |
| 8 | 50-65-0208 | 70018-0007 | (31.11) 1.225 |
| 9 | 50-65-0209 | 70018-0008 | (33.65) 1.325 |
| 10 | 50-65-0210 | 70018-0009 | (36.19) 1.425 |
| 11 | 50-65-0211 | 70018-0010 | (38.73) 1.525 |
| 12 | 50-65-0212 | 70018-0011 | (41.27) 1.625 |
| 13 | 50-65-0213 | 70018-0012 | (43.81) 1.725 |
| 14 | 50-65-0214 | 70018-0013 | (46.35) 1.825 |
| 15 | 50-65-0215 | 70018-0014 | (48.89) 1.925 |
| 16 | 50-65-0216 | 70018-0015 | (51.43) 2.025 |
| 17 | 50-65-0217 | 70018-0016 | (53.97) 2.125 |
| 18 | 50-65-0218 | 70018-0017 | (56.51) 2.225 |
| 19 | 50-65-0219 | 70018-0018 | (59.05) 2.325 |
| 20 | 50-65-0220 | 70018-0019 | (61.59) 2.425 |
| 21 | 50-65-0221 | 70018-0020 | (64.13) 2.525 |
| 22 | 50-65-0222 | 70018-0021 | (66.67) 2.625 |
| 23 | 50-65-0223 | 70018-0022 | (69.21) 2.725 |
| 24 | 50-65-0224 | 70018-0023 | (71.75) 2.825 |
| 25 | 50-65-0225 | 70018-0024 | (74.29) 2.925 |



RECOMMENDED MOUNTING HOLE LAYOUT

| | | | | | | | | | | | |
|---|-------------------------------|---------------------------------------|-----------------------|---------------------------|--------------------|---|----------------------|------------------------|--|--|--|
| REVISE EC NO: UCP2008-0711 DRW:DJORGAN 2007/10/02 CHKD:MSIBARRA 2007/10/09 APPR:SMILLER 2007/10/10 M | QUALITY SYMBOLS ▽=0 ▽=0 | GENERAL TOLERANCES (UNLESS SPECIFIED) | | DIMENSION STYLE MM/IN | | SCALE 4:1 | DESIGN UNITS INCH | THIRD ANGLE PROJECTION | | | |
| | | 4 PLACES ± --- ± --- | 3 PLACES ± --- ± .010 | DRAWN BY ME | DATE 1984/04/10 | TITLE HOUSING PANEL MOUNT (OPTION G HOUSING TO OPTION D HOUSING) | | | | | |
| | | 2 PLACES ± 0.25 ± .014 | 1 PLACE ± 0.35 ± --- | CHECKED BY WZ | DATE 1984/04/10 | APPROVED BY RL | | | | | |
| | | ANGULAR ±1/2° | | MATERIAL NO. SEE CHART | | DOCUMENT NO. SD-70018-0001-0024 | | SHEET NO. 2 OF 2 | | | |

DRAFT WHERE APPLICABLE MUST REMAIN WITHIN DIMENSIONS

THIS DRAWING CONTAINS INFORMATION THAT IS PROPRIETARY TO MOLEX INCORPORATED AND SHOULD NOT BE USED WITHOUT WRITTEN PERMISSION

12 11 10 9 8 7 6 5 4 3 2 1