

**PLEASE CHECK WWW.MOLEX.COM FOR LATEST PART INFORMATION**

**Part Number:** [0039012045](#)  
**Status:** **Active**  
**Overview:** [minifit\\_jr](#)  
**Description:** 4.20mm (.165") Pitch Mini-Fit Jr.™ Receptacle Housing, Dual Row, UL 94V-0, 4 Circuits

**Documents:**

[3D Model](#)  
[Test Summary \(PDF\)](#)  
[Drawing \(PDF\)](#)

[Product Specification PS-5556-001 \(PDF\)](#)  
[RoHS Certificate of Compliance \(PDF\)](#)

**Agency Certification**

CSA	LR19980
TUV	R72081037
UL	E29179

**General**

Product Family	Crimp Housings
Series	<a href="#">5557</a>
Comments	Current = 13A max. per circuit when header is mated to a receptacle loaded with <a href="#">45750</a> series terminals crimped to 16 AWG wire. . See Molex product specification PS-45750-001 for additional current de-rating information.. Glow Wire Equivalent Part Number <a href="#">50304461</a> , <a href="#">50362301</a>
Overview	<a href="#">minifit_jr</a>
Product Name	Mini-Fit Jr.™

**Physical**

Breakaway	No
Circuits (maximum)	4
Color - Resin	Ivory
Flammability	94V-0
Gender	Female
Glow-Wire Compliant	No
Material - Resin	Nylon
Number of Rows	2
Packaging Type	Bag
Panel Mount	No
Pitch - Mating Interface (in)	0.165 In
Pitch - Mating Interface (mm)	4.20 mm
Pitch - Term. Interface (in)	0.165 In
Pitch - Term. Interface (mm)	4.20 mm
Polarized to Mating Part	Yes
Stackable	No
Temperature Range - Operating	-40°C to +105°C

**Electrical**

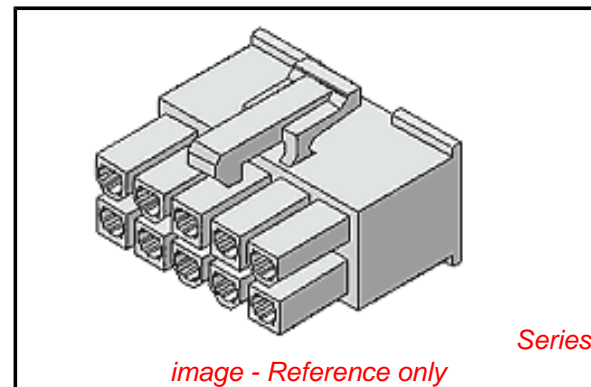
Current - Maximum per Contact	13A
-------------------------------	-----

**Material Info**

Old Part Number	5557-04R-210
-----------------	--------------

**Reference - Drawing Numbers**

Packaging Specification	SPK-5557-001
-------------------------	--------------



**EU RoHS**

**ELV and RoHS Compliant**  
**REACH SVHC**  
**Contains SVHC: No**  
**Halogen-Free Status**

**China RoHS**



**Need more information on product environmental compliance?**

Email [productcompliance@molex.com](mailto:productcompliance@molex.com)  
 For a multiple part number RoHS Certificate of Compliance, [click here](#)

Please visit the [Contact Us](#) section for any non-product compliance questions.

**Search Parts in this Series**

[5557Series](#)

**Mates With**

[5559d](#) , [5566vw](#) , [5566vwo](#) , [5569rdf](#) , [5569rdp](#) , [43810a](#) , [43810b](#) , [43810c](#) , [43810d](#) , [44068a](#) , [44068b](#) , [44068c](#) , [44068d](#) , [44281](#) , [44472dw](#) , [44472dwo](#) , [87427](#) , [87427r](#) , [87427rf](#) , [42404](#) , [44474](#) , [42440](#) , [43879](#) , [42475](#)

**Use With**

[5556](#) , [44476](#) , [44485](#) , [41995](#)

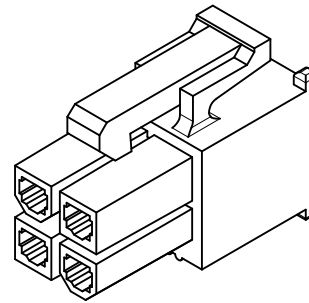
Product Specification

Sales Drawing

PS-5556-001, RPS-5557-004, RPS-5557-024,  
RPS-5557-031, RPS-5557-036, RPS-5557-050,  
RPS-5557-058  
SD-5557-003

This document was generated on 05/19/2010

**PLEASE CHECK [WWW.MOLEX.COM](http://WWW.MOLEX.COM) FOR LATEST PART INFORMATION**



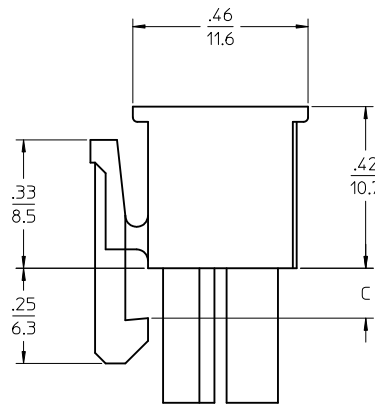
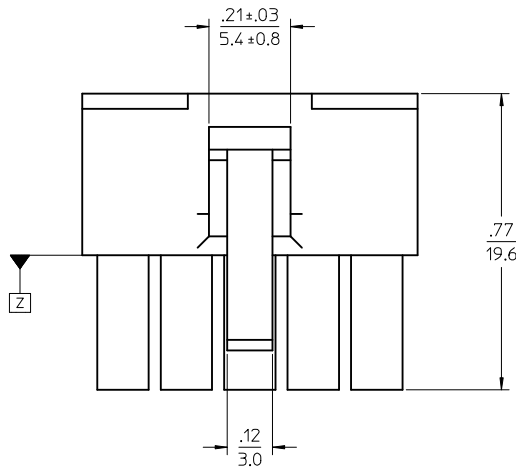
4 CKT SHOWN

NOTES:

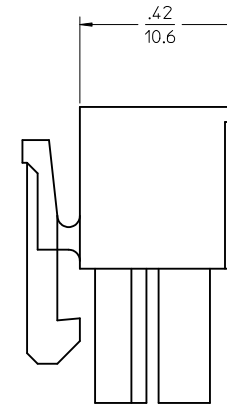
1) MATERIAL:

- \*"BLANK" = NYLON 6/6, 94V-2, COLOR: NATURAL.
  - \*"BL" = NYLON 6/6, 94V-2, COLOR: BLACK.
  - \*"RE" = NYLON 6/6, 94V-2, COLOR: RED.
  - \*"YE" = NYLON 6/6, 94V-2, COLOR: YELLOW
  - \*"210" = NYLON 6/6, 94V-0, COLOR: NATURAL.
  - \*"225" = NYLON (PA6), UL94V-0, COLOR: BLACK, IEC 60335-1, 4th EDITION GLOW WIRE CAPABLE.
  - \*"225N" = NYLON (PA6), UL94V-0, COLOR: WHITE, IEC 60335-1, 4th EDITION GLOW WIRE CAPABLE.
  - \*"400" = NYLON 6/6, 94V-0, COLOR: BLACK.
- 2) FINISH: NOT APPLICABLE  
 3) PRODUCT SPECIFICATION: PS-5556-001  
 4) PACKAGING: BULK  
 5) PART MATES WITH MOLEX PLUG #5559 AND HEADERS #5566, #5569.  
 6) PART TO BE USED WITH MOLEX FEMALE TERMINAL #5556.  
 7) PART IS NOT DESIGNED FOR CURRENT SHARING.  
 8) CONNECTORS ARE NOT TO BE MATED OR UNMATED WHILE CIRCUITS ARE LIVE.  
 9) WIRES ARE TO BE DRESSED IN SUCH A MANNER TO ALLOW THE TERMINALS TO FLOAT FREELY IN THE POCKET.  
 10) PART CONFORMS TO CLASS "B" REQUIREMENTS OF COSMETIC SPECIFICATION PS-45499-002 WITH THE EXCEPTION OF DISCOLORATION, FLASH AND SINK MEET CLASS "C" REQUIREMENTS.

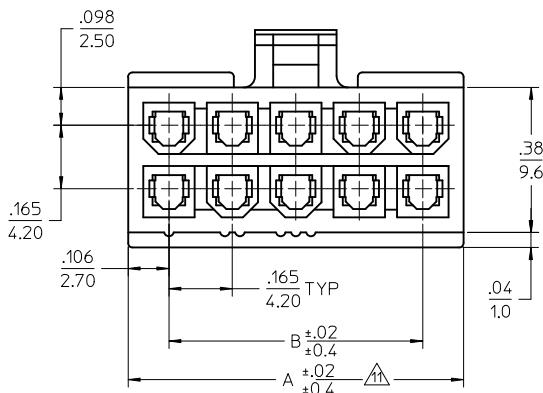
▲ TO BE MEASURED AT SURFACE Z



4-24 CKT



2 CKT ONLY



2.031/(51.6)	1.819/(46.2)		24
1.866/(47.4)	1.654/(42.0)		22
1.701/(43.2)	1.488/(37.8)	.142	20
1.535/(39.0)	1.323/(33.6)	(3,6)	18
1.370/(34.8)	1.157/(29.4)		16
1.205/(30.6)	0.992/(25.2)		14
1.039/(26.4)	0.827/(21.0)		12
0.874/(22.2)	0.661/(16.8)		10
0.709/(18.0)	0.496/(12.6)	.129	8
0.543/(13.8)	0.331/(8.4)	(3,3)	6
0.378/(9.6)	0.165/(4.2)		4
0.213/(5.4)			2
A	B	C	NO. OF CKTS.

MODIFIED ISO VIEW IEC NO: UCP2010-2566 DRWN: JAGUILAR 2010/04/05 CHKD: JEBEL '97/01/08 APPR: FSMITH 2010/04/14	QUALITY SYMBOLS
	▼=0 ▽=0
	DESCRIPTION
	REV

GENERAL TOLERANCES (UNLESS SPECIFIED)	
mm	INCH
4 PLACES ± .01	± .0005
3 PLACES ± .02	± .0010
2 PLACES ± .03	± .0015
1 PLACE ± 0.38	± .0075
ANGULAR ± 3 °	
DRAFT WHERE APPLICABLE MUST REMAIN WITHIN DIMENSIONS	

DIMENSION STYLE	
IN/MM	
DRAWN BY	DATE
S. MOCHIZUKI	'90/02/22
CHECKED BY	DATE
M. FUKUSHIMA	'97/01/08
APPROVED BY	DATE
M. FUKUSHIMA	'97/01/08
MATERIAL NO.	
SEE SHEET 2	

SCALE	DESIGN UNITS	THIRD ANGLE PROJECTION
4:1	METRIC	
NEW MINI FIT CONN REC. HOUSING		
MOLEX INCORPORATED		
DOCUMENT NO.	SHEET NO.	
SD-5557-003	1 OF 2	
THIS DRAWING CONTAINS INFORMATION THAT IS PROPRIETARY TO MOLEX INCORPORATED AND SHOULD NOT BE USED WITHOUT WRITTEN PERMISSION		



CIRCUIT SIZE LAYOUT  
(NOT TO SCALE)

LEGEND



V-0 GLOW WIRE (BLACK)			V-0 GLOW WIRE (WHITE)		
50-36-1667	5557-24R-225	24	-	-	24
26-01-3167	5557-22R-225	22	-	-	22
* 26-01-3166	5557-20R-225	20	-	-	20
50-36-1668	5557-18R-225	18	-	-	18
50-36-1669	5557-16R-225	16	-	-	16
50-36-2293	5557-14R-225	14	-	-	14
50-36-1674	5557-12R-225	12	-	-	12
50-36-1671	5557-10R-225	10	-	-	10
50-36-1713	5557-08R-225	8	-	-	8
50-36-1672	5557-06R-225	6	-	-	6
50-30-4461	5557-04R-225	4	50-36-2301	5557-04R-225N	4
50-36-1673	5557-02R-225	2	-	-	2
<b>EDP. NO.</b>	<b>ENG. NO.</b>	<b>NO. OF CKTS.</b>	<b>EDP. NO.</b>	<b>ENG. NO.</b>	<b>NO. OF CKTS.</b>

V-0 (BLACK)			V-0 (NATURAL)		
* 39-03-9242	5557-24R-400	24	39-01-2245	5557-24R-210	24
* 39-03-9222	5557-22R-400	22	39-01-2225	5557-22R-210	22
* 39-03-9202	5557-20R-400	20	39-01-2205	5557-20R-210	20
* 39-03-9182	5557-18R-400	18	39-01-2185	5557-18R-210	18
* 39-03-9162	5557-16R-400	16	39-01-2165	5557-16R-210	16
* 39-03-9142	5557-14R-400	14	39-01-2145	5557-14R-210	14
* 39-03-9122	5557-12R-400	12	39-01-2125	5557-12R-210	12
* 39-03-9102	5557-10R-400	10	39-01-2105	5557-10R-210	10
* 39-03-9082	5557-08R-400	8	39-01-2085	5557-08R-210	8
* 39-03-9062	5557-06R-400	6	39-01-2065	5557-06R-210	6
39-03-9042	5557-04R-400	4	39-01-2045	5557-04R-210	4
39-03-9022	5557-02R-400	2	39-01-2025	5557-02R-210	2
<b>EDP. NO.</b>	<b>ENG. NO.</b>	<b>NO. OF CKTS.</b>	<b>EDP. NO.</b>	<b>ENG. NO.</b>	<b>NO. OF CKTS.</b>

\* = CONSULT FACTORY FOR AVAILABILITY.

V-2 (YELLOW)			V-2 (RED)			V-2 (BLACK)			V-2 (NATURAL)		
		24	-	-	24	* 39-01-3245	5557-24R-BL	24	39-01-2240	5557-24R	24
		22	-	-	22	39-01-3225	5557-22R-BL	22	39-01-2220	5557-22R	22
		20	-	-	20	* 39-01-3205	5557-20R-BL	20	39-01-2200	5557-20R	20
		18	-	-	18	* 39-01-3185	5557-18R-BL	18	39-01-2180	5557-18R	18
		16	-	-	16	* 39-01-3165	5557-16R-BL	16	39-01-2160	5557-16R	16
		14	-	-	14	39-01-3145	5557-14R-BL	14	39-01-2140	5557-14R	14
		12	-	-	12	39-01-3125	5557-12R-BL	12	39-01-2120	5557-12R	12
		10	-	-	10	39-01-3105	5557-10R-BL	10	39-01-2100	5557-10R	10
		8	-	-	8	39-01-3085	5557-08R-BL	8	39-01-2080	5557-08R	8
* 39-02-8061	5557-06R-YE	6	-	-	6	39-01-3065	5557-06R-BL	6	39-01-2060	5557-06R	6
* 39-02-8041	5557-04R-YE	4	* 39-02-8040	5557-04R-RE	4	39-01-3045	5557-04R-BL	4	39-01-2040	5557-04R	4
* 39-02-8021	5557-02R-YE	2	-	-	2	39-01-3025	5557-02R-BL	2	39-01-2020	5557-02R	2
<b>EDP. NO.</b>	<b>ENG. NO.</b>	<b>NO. OF CKTS.</b>	<b>EDP. NO.</b>	<b>ENG. NO.</b>	<b>NO. OF CKTS.</b>	<b>EDP. NO.</b>	<b>ENG. NO.</b>	<b>NO. OF CKTS.</b>	<b>EDP. NO.</b>	<b>ENG. NO.</b>	<b>NO. OF CKTS.</b>

**MODIFIED CHARTS**  
EC NO: UCP2010-2566  
DRAWN: JAGUILAR 2010/04/05  
CHKD: J.BELL '97/01/08  
APPR: F.S.MITH 2010/04/14

DESCRIPTION

REV J4

QUALITY SYMBOLS

▽=0  
▽=0

GENERAL TOLERANCES (UNLESS SPECIFIED)

	mm	INCH
4 PLACES	±0.2	±---
3 PLACES	±0.3	±---
2 PLACES	±0.4	±---
1 PLACE	±---	±---

ANGULAR ± 3°

DRAFT WHERE APPLICABLE MUST REMAIN WITHIN DIMENSIONS

DIMENSION STYLE  
**MM ONLY**

DRAWN BY DATE  
S. MOCHIZUKI '90/02/22

CHECKED BY DATE  
M. FUKUSHIMA '97/01/08

APPROVED BY DATE  
M. FUKUSHIMA '97/01/08

MATERIAL NO.  
**SEE CHART**

SCALE  
**1:1**

DESIGN UNITS  
**METRIC**

THIRD ANGLE PROJECTION

**NEW MINI FIT CONN REC. HOUSING**

**MOLEX INCORPORATED**

DOCUMENT NO. **SD-5557-003**

SHEET NO. **2 OF 2**

THIS DRAWING CONTAINS INFORMATION THAT IS PROPRIETARY TO MOLEX INCORPORATED AND SHOULD NOT BE USED WITHOUT WRITTEN PERMISSION