

PLEASE CHECK WWW.MOLEX.COM FOR LATEST PART INFORMATION

Part Number: [0526100971](#)
Status: **Active**
Overview:
Description: 1.00mm (.039") Pitch FFC/FPC Connector, SMT, Vertical, ZIF Receptacle, 9 Circuits, Lead-free, High Barrier Packaging

Agency Certification

CSA LR19980
 UL E29179

General

Product Family FFC/FPC Connectors
 Series 52610
 Overview ffc_fpc_smt
 Product Name N/A

Physical

Circuits (Loaded) 9
 Contact Position N/A
 Durability (mating cycles max) 30
 Entry Angle Vertical
 Flammability 94V-0
 Mated Height (in) 0.226 In
 Mated Height (mm) 5.75 mm
 Material - Metal Phosphor Bronze
 Material - Plating Mating Tin-Bismuth
 Material - Plating Termination Tin-Bismuth
 Material - Resin Nylon
 Number of Rows 1
 Orientation Vertical
 PCB Locator No
 PCB Retention None
 Packaging Type Embossed Tape on Reel
 Pitch - Mating Interface (in) 0.039 In
 Pitch - Mating Interface (mm) 1.00 mm
 Polarized to PCB No
 Stackable No
 Temperature Range - Operating -40°C to +85°C
 Termination Interface: Style Surface Mount
 Wire/Cable Type FFC/FPC

Electrical

Current - Maximum per Contact 1A
 Voltage - Maximum 125V

Material Info

Reference - Drawing Numbers

Packaging Specification SPK-52610-001, SPK-52610-003
 Product Specification PS-52610-006, RPS-52610-001, RPS-52610-002, RPS-52610-004, RPS-52610-026, RPS-52610-027, RPS-52610-028, RPS-52610-031, RPS-52610-034, RPS-52610-037, RPS-52610-038, RPS-52610-040, RPS-52610-041, RPS-52610-043, RPS-52610-044, RPS-52610-046, RPS-52610-049, RPS-52610-050, RPS-52610-057, RPS-52610-058, RPS-52610-059, RPS-52610-062

EU RoHS

ELV and RoHS Compliant
REACH SVHC Contains SVHC: No
Halogen-Free Status
Not Halogen-Free

China RoHS



Need more information on product environmental compliance?

Email productcompliance@molex.com
 For a multiple part number RoHS Certificate of Compliance, [click here](#)

Please visit the [Contact Us](#) section for any non-product compliance questions.

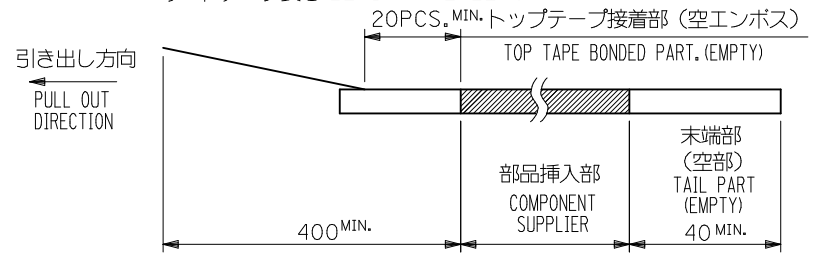
Search Parts in this Series
[52610Series](#)

This document was generated on 06/05/2010

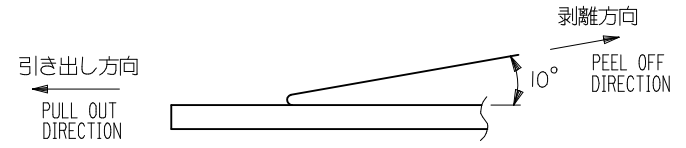
PLEASE CHECK WWW.MOLEX.COM FOR LATEST PART INFORMATION

NOTES

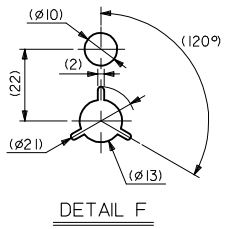
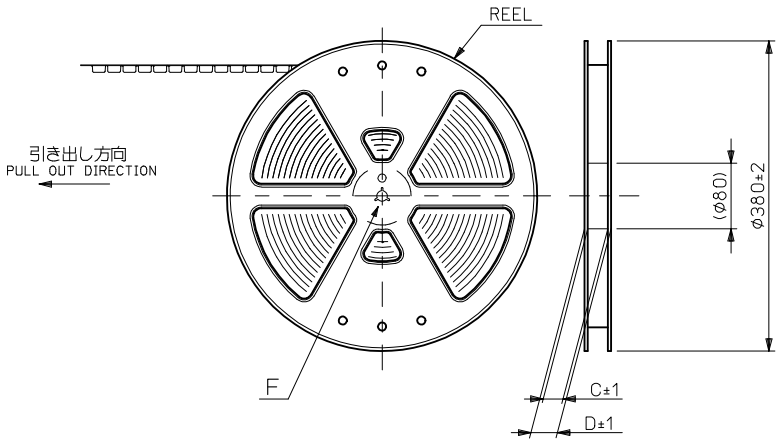
1. 梱包数量：1000個/リール
NUMBER OF CONNECTORS : 1000PCS/REEL
2. リードテープ長さ LEAD TAPE LENGTH



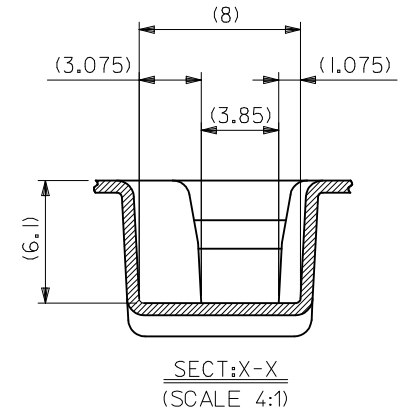
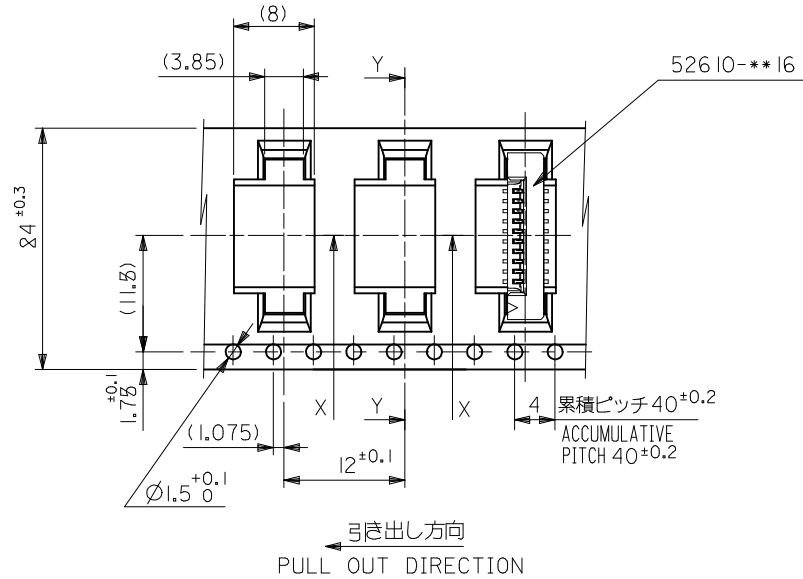
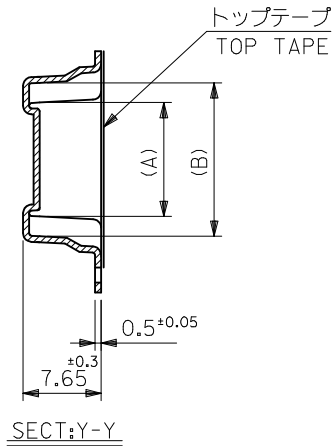
3. トップテープの剥離強度：0.1~1.3N (10gf~130gf) (剥離方向は下図参照)
尚、本規格値は出荷時に適用。(但し、輸送時に剥離が発生しないこと。)
PEELING OFF FORCE OF TOP TAPE : 0.1~1.3N (10gf~130gf)
(PEELING DIRECTION AS SHOWN IN FOLLOWING FIG.)
THIS REQUIREMENT SHOULD BE APPLIED AT SHIPMENT.
PEEL OFF SHOULD NOT BE ALLOWED , DURING TRANSPORTATION.



4. 52610-**-16のアクチュエータはハウジング内に押し下げた状態とする。
詳細寸法については 製品単体図面を参照下さい。
ACTUATOR OF PART NO. 52610-**-16 SHULD BE LOCKED.
RE DETAILED DIMENSIONS , SEE SALES DRAWING FOR CONNECTOR.
5. 材料(MATERIAL)
キャリアテープ(CARRIER TAPE) : ポリプロピレン(POLYPROPYLENE)
トップテープ(TOP TAPE) : PET , PE , PEF
リール(REEL) : ポリスチレン (PS) <リサイクル材を含む>
POLYSTYREN(PS) <RECYCLE MATERIAL CONTAINED>
6. 本製品は 52610-**-90 の鉛フリー品です
7. 本製品は乾燥剤入り、ハイバリア梱包仕様である。
THIS PRODUCT IS HIGH BARRIER PACKAGE WITH DESICCANT.

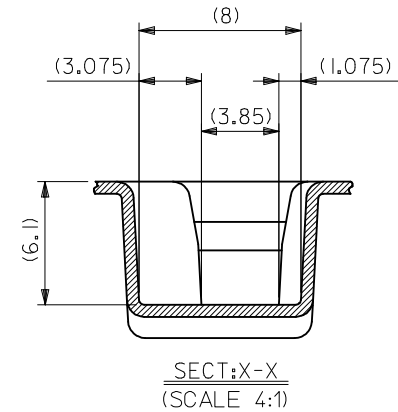
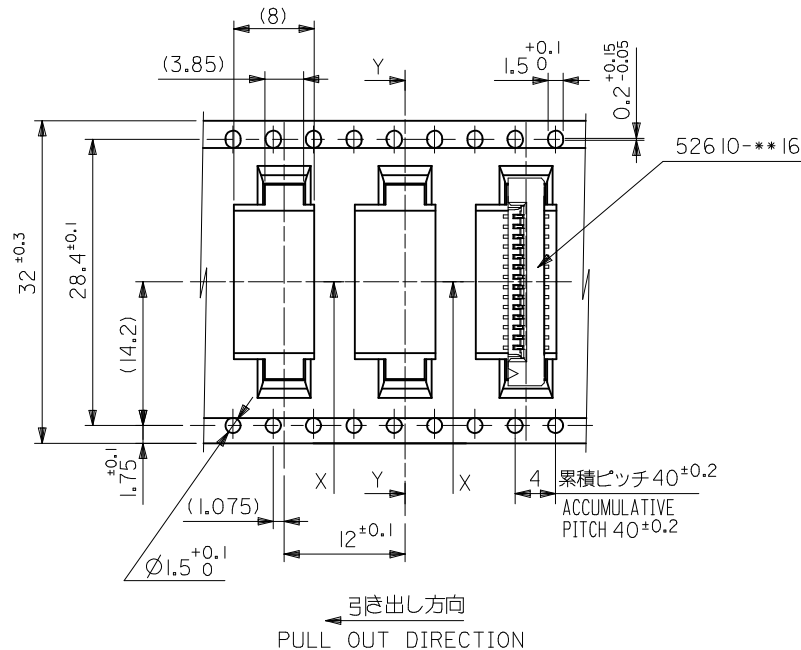
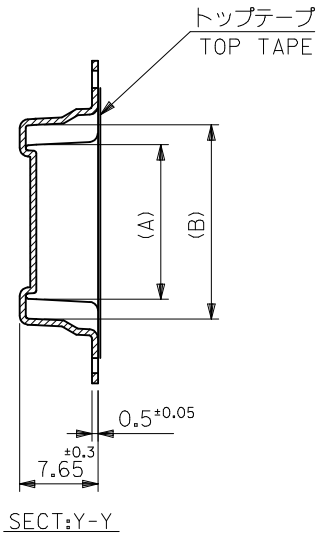


| | | | | | | | | | |
|---|--------------------|--|-------|----------------------------|-------------------|--|------------------------|-------------|-----------|
| REVISED EC NO: J2009-2061 DRWN:TKON 2009/05/20 CHKD:HMATSUMOTO 2009/05/21 APPR:NUKITA 2009/05/21 | DESCRIPTION REV | GENERAL TOLERANCES (UNLESS SPECIFIED) | | DIMENSION STYLE MM ONLY | | SCALE --- | DESIGN UNITS METRIC | 52610-**-71 | MODEL NO. |
| | | 10 UNDER | ±0.2 | DRAWN BY T. UENO | DATE '03/12/12 | TITLE 1.0 FPC CONN SMT ZIF EMBSTP PKG -LEAD FREE- | | | |
| | | 10 OVER 30 UNDER | ±0.25 | CHECKED BY M. SASAO | DATE '03/12/12 | MOLEX INCORPORATED | | | |
| | | 30 OVER | ±0.3 | APPROVED BY M. SASAO | DATE '03/12/12 | DOCUMENT NO. SD-52610-038 | | | |
| ANGULAR ±3 ° | | DRAFT WHERE APPLICABLE MUST REMAIN WITHIN DIMENSIONS | | MATERIAL NO. SEE TABLE | | SHEET NO. 1 OF 5 | | | |
| THIS DRAWING CONTAINS INFORMATION THAT IS PROPRIETARY TO MOLEX INCORPORATED AND SHOULD NOT BE USED WITHOUT WRITTEN PERMISSION | | | | | | | | | |



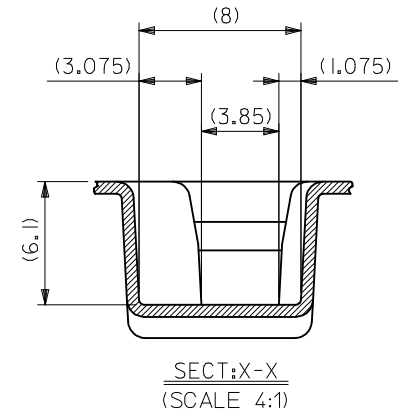
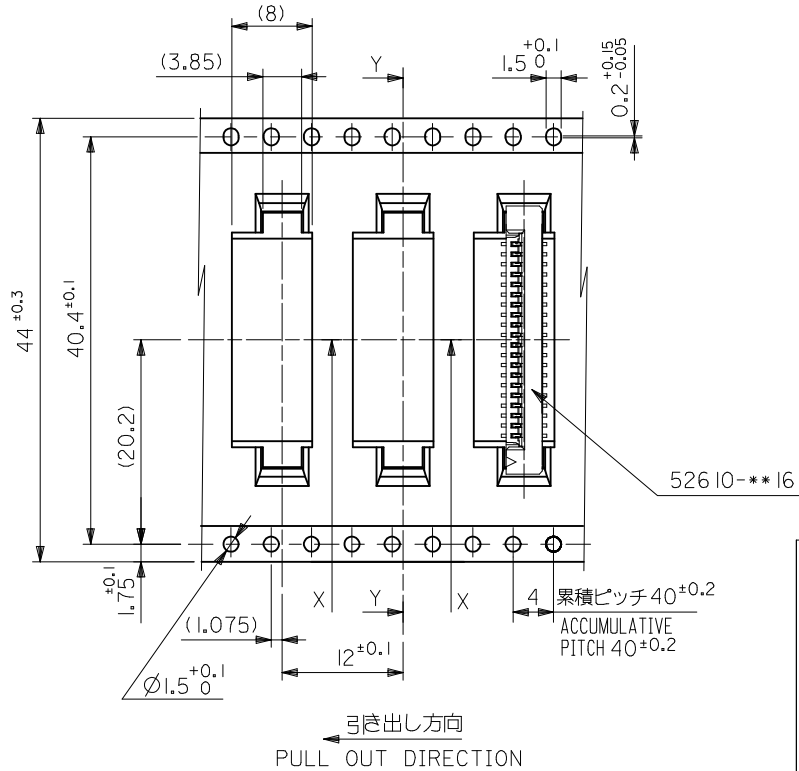
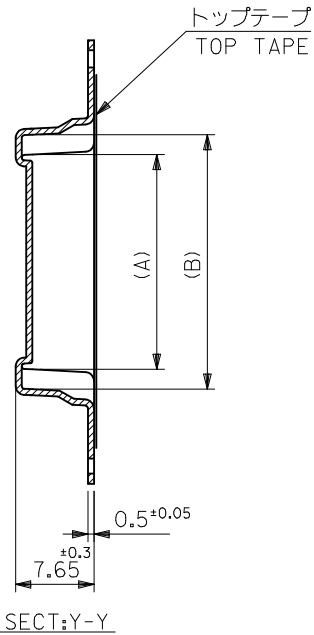
| | | | | | | |
|--------------------------------|------|------|-------------|-------|--------------|------------|
| 24 | 29.4 | 25.4 | 15.25 | 11.32 | 52610-1071 | 10 |
| | | | 14.25 | 10.32 | 52610-0971 | 9 |
| | | | 13.25 | 9.32 | 52610-0871 | 8 |
| | | | 12.25 | 8.32 | 52610-0771 | 7 |
| | | | 11.25 | 7.32 | 52610-0671 | 6 |
| | | | 10.25 | 6.32 | 52610-0571 | 5 |
| キャリアテープ幅 CARRIER TAPE WIDTH | D | C | (B) | (A) | MATERIAL NO. | 極数 CKT. |
| | | | 52610-**-71 | | MODEL NO. | |

| | | | | | | | | | |
|---|-------------|--|--------|--|-------------------|--|------------------------|---------------------------|--|
| REVISED EC NO: J2009-2061 DRW:TKON 2009/05/20 CHKD:HMATSUMOTO 2009/05/21 APPR:NUKITA 2009/05/21 | DESCRIPTION | GENERAL TOLERANCES (UNLESS SPECIFIED) | | DIMENSION STYLE MM ONLY | | SCALE --- | DESIGN UNITS METRIC | THIRD ANGLE PROJECTION | |
| | | 10 UNDER | ± 0.2 | DRAWN BY T. UENO | DATE '03/12/12 | TITLE 1.0 FPC CONN SMT ZIF EMBSTP PKG -LEAD FREE- | | | |
| | | 10 OVER 30 UNDER | ± 0.25 | CHECKED BY M. SASAO | DATE '03/12/12 | | | | |
| | | 30 OVER | ± 0.3 | APPROVED BY M. SASAO | DATE '03/12/12 | MOLEX INCORPORATED | | | |
| | | ANGULAR | ± 3 ° | MATERIAL NO. SEE TABLE | | | | | |
| | | DRAFT WHERE APPLICABLE MUST REMAIN WITHIN DIMENSIONS | | THIS DRAWING CONTAINS INFORMATION THAT IS PROPRIETARY TO MOLEX INCORPORATED AND SHOULD NOT BE USED WITHOUT WRITTEN PERMISSION | | | | | |



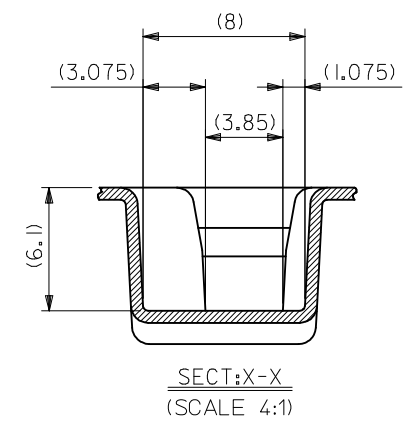
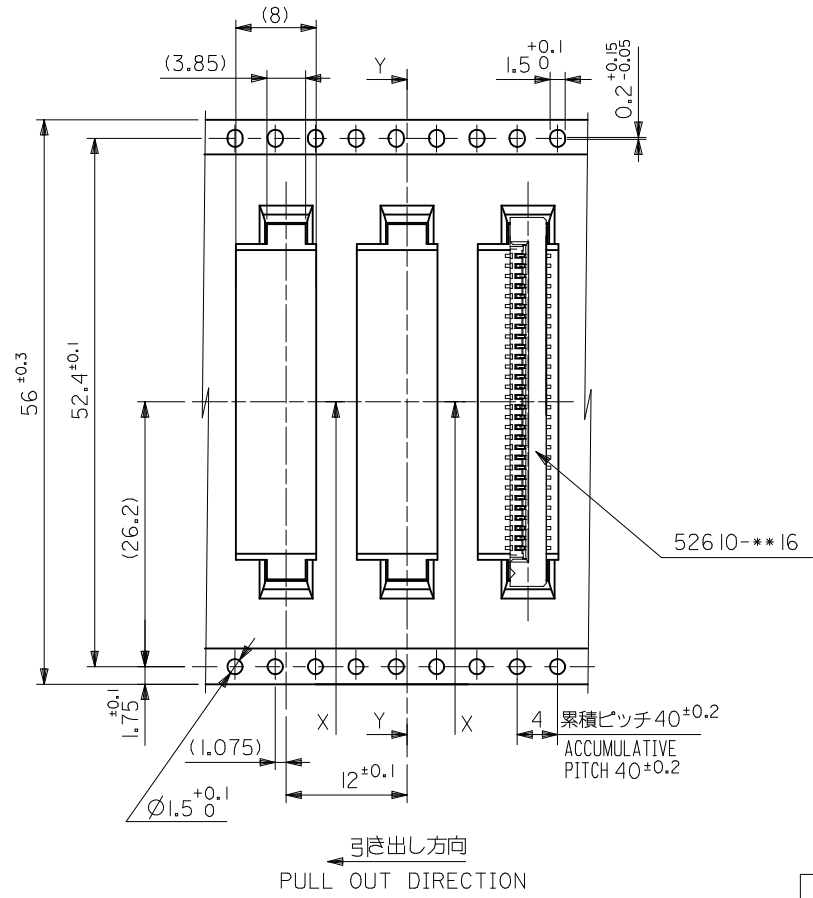
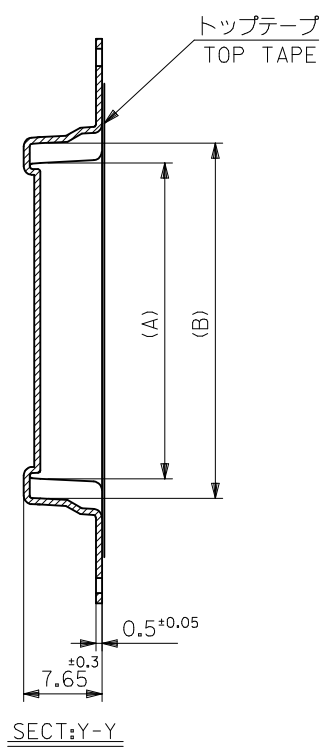
| | | | | | | |
|--------------------------------|------|------|-------------|-------|--------------|------------|
| 32 | 37.4 | 33.4 | 20.25 | 16.32 | 52610-1571 | 15 |
| | | | 19.25 | 15.32 | 52610-1471 | 14 |
| | | | 18.25 | 14.32 | 52610-1371 | 13 |
| | | | 17.25 | 13.32 | 52610-1271 | 12 |
| | | | 16.25 | 12.32 | 52610-1171 | 11 |
| キャリアテープ幅 CARRIER TAPE WIDTH | D | C | (B) | (A) | MATERIAL NO. | 種数 CKT. |
| | | | 52610-**-71 | | MODEL NO. | |

| | | | | | | | | |
|--|---------------------------------------|-------|----------------------------|-------------------|---|------------------------|------------------------|--|
| REVISED EC NO: J2009-2061 DRWN:TKON 2009/05/20 CHKD:HMATSUMOTO 2009/05/21 APPR:NUKITA 2009/05/21 | GENERAL TOLERANCES (UNLESS SPECIFIED) | | DIMENSION STYLE MM ONLY | | SCALE --- | DESIGN UNITS METRIC | THIRD ANGLE PROJECTION | |
| | 10 UNDER | ±0.2 | DRAWN BY T.UENO | DATE '03/12/12 | TITLE 1.0 FPC CONN SMT ZIF EMBSTP PKG -LEAD FREE- | | | |
| | 10 OVER 30 UNDER | ±0.25 | CHECKED BY M.SASAO | DATE '03/12/12 | MOLEX INCORPORATED | | | |
| | 30 OVER | ±0.3 | APPROVED BY M.SASAO | DATE '03/12/12 | DOCUMENT NO. SD-52610-038 | | SHEET NO. 3 OF 5 | |
| | ANGULAR ±3 ° | | MATERIAL NO. SEE TABLE | | THIS DRAWING CONTAINS INFORMATION THAT IS PROPRIETARY TO MOLEX INCORPORATED AND SHOULD NOT BE USED WITHOUT WRITTEN PERMISSION | | | |
| DRAFT WHERE APPLICABLE MUST REMAIN WITHIN DIMENSIONS | | | | | | | | |



| | | | | | | |
|--------------------------------|-------|------------|-------------|-----------|--------------|------------|
| 44 | 49.4 | 45.4 | 31.25 | 27.32 | 52610-2671 | 26 |
| | | | 30.25 | 26.32 | 52610-2571 | 25 |
| | | | 29.25 | 25.32 | 52610-2471 | 24 |
| | | | 28.25 | 24.32 | 52610-2371 | 23 |
| | | | 27.25 | 23.32 | 52610-2271 | 22 |
| | | | 26.25 | 22.32 | 52610-2171 | 21 |
| | | | 25.25 | 21.32 | 52610-2071 | 20 |
| | | | 24.25 | 20.32 | 52610-1971 | 19 |
| | | | 23.25 | 19.32 | 52610-1871 | 18 |
| | | | 22.25 | 18.32 | 52610-1771 | 17 |
| 21.25 | 17.32 | 52610-1671 | 16 | | | |
| キャリアテープ幅 CARRIER TAPE WIDTH | D | C | (B) | (A) | MATERIAL NO. | 極数 CKT. |
| | | | 52610-**-71 | MODEL NO. | | |

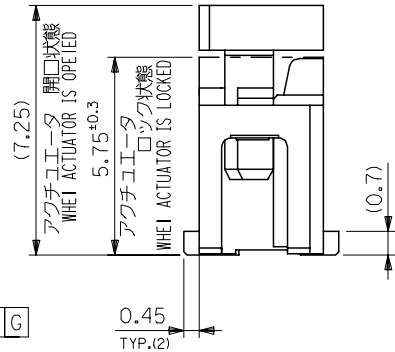
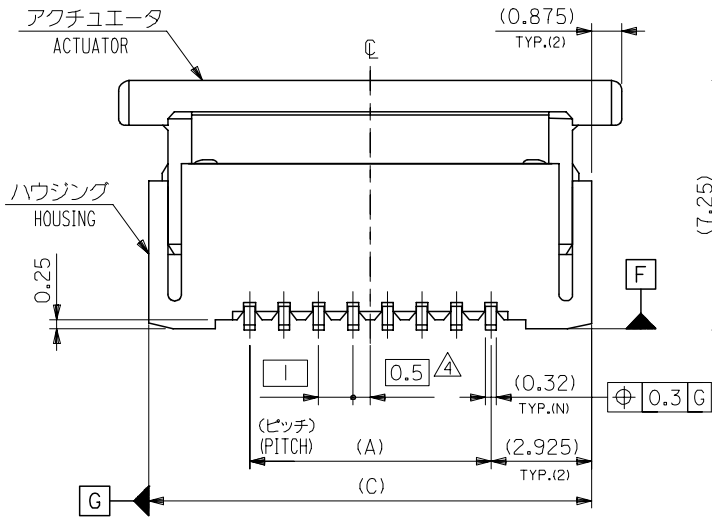
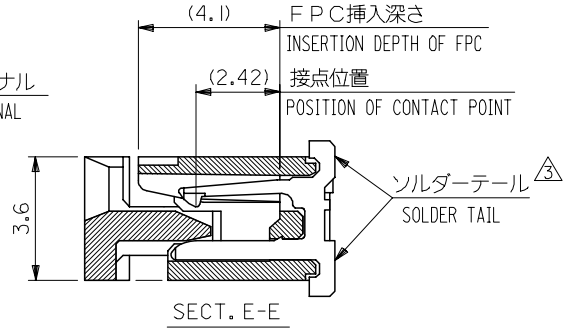
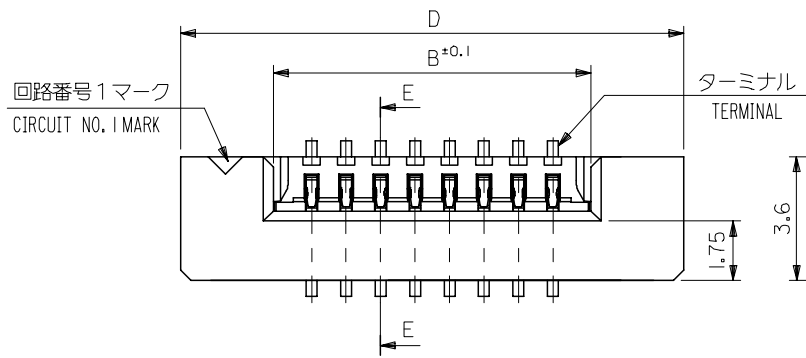
| | | | | | | | | | |
|---|---------------------------------------|-------|--|-------------------|--|------------------------|---|------------------------|--|
| REVISED EC NO: J2009-2061 DRWN:TKON 2009/05/20 CHKD:HMATSUMOTO 2009/05/21 APPR:NIKIITA 2009/05/21 | GENERAL TOLERANCES (UNLESS SPECIFIED) | | DIMENSION STYLE MM ONLY | | SCALE --- | DESIGN UNITS METRIC | | THIRD ANGLE PROJECTION | |
| | 10 UNDER | ±0.2 | DRAWN BY T. UENO | DATE '03/12/12 | TITLE 1.0 FPC CONN SMT ZIF EMBSTP PKG -LEAD FREE- | | | | |
| | 10 OVER 30 UNDER | ±0.25 | CHECKED BY M. SASAO | DATE '03/12/12 | MOLEX INCORPORATED SEE TABLE SD-52610-038 | | | | |
| | 30 OVER | ±0.3 | APPROVED BY M. SASAO | DATE '03/12/12 | | | | | |
| | ANGULAR ±3 ° | | DRAFT WHERE APPLICABLE MUST REMAIN WITHIN DIMENSIONS | | SIZE A3 | | THIS DRAWING CONTAINS INFORMATION THAT IS PROPRIETARY TO MOLEX INCORPORATED AND SHOULD NOT BE USED WITHOUT WRITTEN PERMISSION | | |



| | | | | | | |
|--------------------------------|------|------|-------|-------|--------------|------------|
| 56 | 61.4 | 57.4 | 35.25 | 31.32 | 52610-3071 | 30 |
| | | | 33.25 | 29.32 | 52610-2871 | 28 |
| キャリアテープ幅 CARRIER TAPE WIDTH | D | C | (B) | (A) | MATERIAL NO. | 種数 CKT. |
| | | | | | 52610-**-71 | MODEL NO. |

| | | | | | | | |
|---|--|---|----------------------------|---------------------|--|------------------------|------------------------|
| REVISED EC NO: J2009-2061 DRWN:TKON 2009/05/20 CHKD:HMATSUMOTO 2009/05/21 APPR:NIKIITA 2009/05/21 | GENERAL TOLERANCES (UNLESS SPECIFIED) | | DIMENSION STYLE MM ONLY | | SCALE --- | DESIGN UNITS METRIC | THIRD ANGLE PROJECTION |
| | 10 UNDER | ±0.2 | DRAWN BY T. UENO | DATE '03/12/12 | TITLE 1.0 FPC CONN SMT ZIF EMBSTP PKG -LEAD FREE- | | |
| | 10 OVER 30 UNDER | ±0.25 | CHECKED BY M. SASAO | DATE '03/12/12 | MOLEX INCORPORATED | | |
| | 30 OVER | ±0.3 | APPROVED BY M. SASAO | DATE '03/12/12 | DOCUMENT NO. SD-52610-038 | | |
| | ANGULAR ±3 ° | MATERIAL NO. SEE TABLE | | SHEET NO. 5 OF 5 | | | |
| | DRAFT WHERE APPLICABLE MUST REMAIN WITHIN DIMENSIONS | THIS DRAWING CONTAINS INFORMATION THAT IS PROPRIETARY TO MOLEX INCORPORATED AND SHOULD NOT BE USED WITHOUT WRITTEN PERMISSION | | | | | |

10 9 8 7 6 5 4 3 2 1



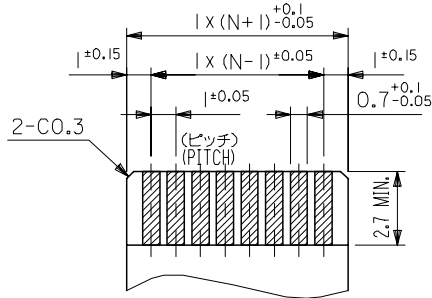
注記 (NOTES):

- 材料 (MATERIAL)
 ハウジング (HOUSING): 46NYLON, UL94V-0
 アクチュエータ (ACTUATOR): PPS, UL94V-0
 ターミナル (TERMINAL): リン青銅 (+0.32) PHOS-BRO
 錫・2%ビスマスメッキ 1. 0マイクロメートル以上
 TIN 2% BISMUTH 1.0 MICROMETER MINIMUM
 ニッケル下地 1. 0マイクロメートル以上
 NICKEL (UNDER PLATING) 1.0 MICROMETER MINIMUM
- エンボステープ梱包時は、アクチュエータがロックした状態とする。
 IN THE PACKAGE, ACTUATOR OF PART NO. 52610-***16 SHOULD BE LOCKED.
- ③ ソルダータール半田付け面のズレ量は、基準面 [F] に対し上方向 0.05 MAX., 下方向 0.15 MAX. とする。
 MISALIGNMENT OF SOLDER TAILS FROM [F] UPPER DIRECTION: 0.05 MAX., LOWER DIRECTION: 0.15 MAX.
- ④ 偶数極に適用。
 APPLY FOR EVEN CIRCUIT.
- 本製品は 52610-***17 の鉛フリー品です

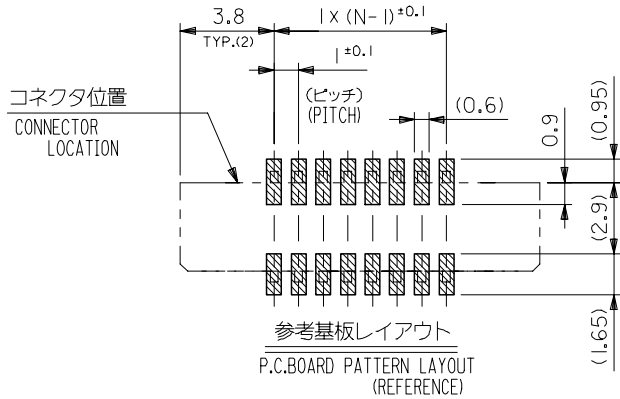
| | | | | | | |
|---|---------------------------------------|---|----------------------------|--------------------|---|--------------------------|
| REVISED EC NO: J2006-3196 DRWN: NABEI 2006/04/17 CHKD: KTOYODA 2006/04/18 APPR: NUKITA 2006/04/20 | GENERAL TOLERANCES (UNLESS SPECIFIED) | | DIMENSION STYLE MM ONLY | | SCALE --- | MODEL NO. 52610-***16 |
| | 10 UNDER | ±0.2 | DRAWN BY TUENO | DATE '03/12/12 | TITLE 1.0 FPC CONNECTOR Z.I.F. FOR SMT.(ST.) -LEAD FREE- | DESIGN UNITS METRIC |
| | 10 OVER 30 UNDER | ±0.25 | CHECKED BY MSASAO | DATE '03/12/12 | MATERIAL NO. SEE CHART | THIRD ANGLE PROJECTION |
| | 30 OVER | ±0.3 | APPROVED BY MSASAO | DATE '03/12/12 | DOCUMENT NO. SD-52610-041 | SHEET NO. 1 OF 2 |
| | ANGULAR ±3 ° | DRAFT WHERE APPLICABLE MUST REMAIN WITHIN DIMENSIONS | | MOLEX INCORPORATED | | |
| | | THIS DRAWING CONTAINS INFORMATION THAT IS PROPRIETARY TO MOLEX INCORPORATED AND SHOULD NOT BE USED WITHOUT WRITTEN PERMISSION | | | | |

FPCについて:
 打抜き方向は導体側から補強板側を推奨致します。
 補強フィルム材質はポリイミドを推奨致します。
 接着剤は熱硬化接着剤を推奨致します。

ABOUT FPC:
 RECOMMENDED PUNCHER DIRECTION : FROM CONDUCTOR SIDE TO STIFFENER BOARD SIDE.
 RECOMMENDED MATERIAL :
 STIFFENER FILM : POLYIMIDE
 BONDING AGENT : THERMOSETTING BONDING AGENT



適合FPC推奨寸法
 APPLICABLE FPC RECOMMENDED DIM.
 仕上がり厚さ(THICKNESS): 0.3^{+0.05}



参考基板レイアウト
 P.C.BOARD PATTERN LAYOUT
 (REFERENCE)

| | | | | | |
|------|-------|------|----|------------|----|
| 36.6 | 34.85 | 31.2 | 29 | 52610-3016 | 30 |
| 35.6 | 33.85 | 30.2 | 28 | -2916 | 29 |
| 34.6 | 32.85 | 29.2 | 27 | -2816 | 28 |
| 33.6 | 31.85 | 28.2 | 26 | -2716 | 27 |
| 32.6 | 30.85 | 27.2 | 25 | -2616 | 26 |
| 31.6 | 29.85 | 26.2 | 24 | -2516 | 25 |
| 30.6 | 28.85 | 25.2 | 23 | -2416 | 24 |
| 29.6 | 27.85 | 24.2 | 22 | -2316 | 23 |
| 28.6 | 26.85 | 23.2 | 21 | -2216 | 22 |
| 27.6 | 25.85 | 22.2 | 20 | -2116 | 21 |
| 26.6 | 24.85 | 21.2 | 19 | -2016 | 20 |
| 25.6 | 23.85 | 20.2 | 18 | -1916 | 19 |
| 24.6 | 22.85 | 19.2 | 17 | -1816 | 18 |
| 23.6 | 21.85 | 18.2 | 16 | -1716 | 17 |
| 22.6 | 20.85 | 17.2 | 15 | -1616 | 16 |
| 21.6 | 19.85 | 16.2 | 14 | -1516 | 15 |
| 20.6 | 18.85 | 15.2 | 13 | -1416 | 14 |
| 19.6 | 17.85 | 14.2 | 12 | -1316 | 13 |
| 18.6 | 16.85 | 13.2 | 11 | -1216 | 12 |
| 17.6 | 15.85 | 12.2 | 10 | -1116 | 11 |
| 16.6 | 14.85 | 11.2 | 9 | -1016 | 10 |
| 15.6 | 13.85 | 10.2 | 8 | -0916 | 9 |
| 14.6 | 12.85 | 9.2 | 7 | -0816 | 8 |
| 13.6 | 11.85 | 8.2 | 6 | -0716 | 7 |
| 12.6 | 10.85 | 7.2 | 5 | -0616 | 6 |

| | | | | | | |
|------------|------|------|-----|-----|------------|------|
| 52610-**16 | 11.6 | 9.85 | 6.2 | 4 | 52610-0516 | 5 |
| MODEL NO. | D | (C) | B | (A) | MODEL NO. | CKT. |

| | | | | | | | |
|---|---------------------------------------|--|----------------------------|-------------------|---|------------------------|------------------------|
| REVISED EC NO: J2006-3196 DRWN: NABEI 2006/04/17 CHKD: KTOYODA 2006/04/18 APPR: NUKITA 2006/04/20 | GENERAL TOLERANCES (UNLESS SPECIFIED) | | DIMENSION STYLE MM ONLY | | SCALE --- | DESIGN UNITS METRIC | THIRD ANGLE PROJECTION |
| | 10 UNDER | ± 0.2 | DRAWN BY TUENO | DATE '03/12/12 | TITLE 1.0 FPC CONNECTOR Z.I.F. FOR SMT. (ST.) -LEAD FREE- | | |
| | 10 OVER 30 UNDER | ± 0.25 | CHECKED BY MSASAO | DATE '03/12/12 | | | |
| | 30 OVER | ± 0.3 | APPROVED BY MSASAO | DATE '03/12/12 | MOLEX INCORPORATED MATERIAL NO. SEE CHART DOCUMENT NO. SD-52610-041 SHEET NO. 2 OF 2 | | |
| ANGULAR | ± 3 ° | DRAFT WHERE APPLICABLE MUST REMAIN WITHIN DIMENSIONS | | | | | |