

PLEASE CHECK WWW.MOLEX.COM FOR LATEST PART INFORMATION

Part Number: [5024262210](#)
Status: **Active**
Overview: SlimStack™
Description: 0.40mm (.016") Pitch SlimStack™ Board-to-Board Receptacle, SMT, Dual Row, Vertical, 1.00mm (.039") Stacking Height, With Solder Tabs, 22 Circuits

Documents:

[3D Model](#) [Product Specification PS-502426-001 \(PDF\)](#)
[Drawing \(PDF\)](#) [RoHS Certificate of Compliance \(PDF\)](#)

General

Product Family PCB Receptacles
 Series [502426](#)
 Application Board-to-Board
 Overview [SlimStack™](#)
 Product Name SlimStack™

Physical

Circuits (Loaded) 22
 Color - Resin Black
 Durability (mating cycles max) 30
 Glow-Wire Compliant No
 Lock to Mating Part Yes
 Mated Height (in) 0.039 In
 Mated Height (mm) 1.00 mm
 Material - Metal Phosphor Bronze
 Material - Plating Mating Gold
 Material - Plating Termination Gold
 Number of Rows 2
 Orientation Vertical
 PCB Locator No
 PCB Retention Yes
 Packaging Type Embossed Tape on Reel
 Pitch - Mating Interface (in) 0.016 In
 Pitch - Mating Interface (mm) 0.40 mm
 Polarized to Mating Part No
 Polarized to PCB No
 Stackable No
 Temperature Range - Operating -25°C to +85°C
 Termination Interface: Style Surface Mount

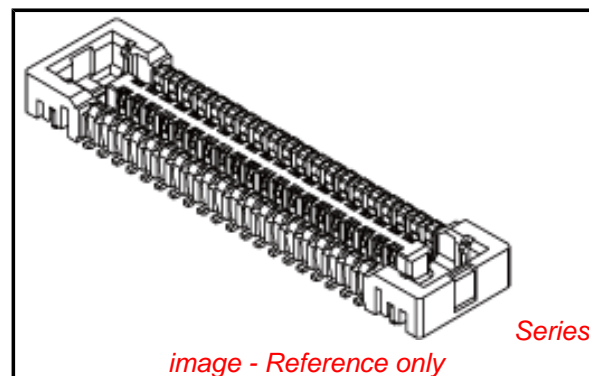
Electrical

Current - Maximum per Contact 0.3A
 Voltage - Maximum 50V AC/DC

Material Info

Reference - Drawing Numbers

Product Specification PS-502426-001, RPS-502426-009, RPS-502426-011, RPS-502426-013, RPS-502426-014, RPS-502426-017, RPS-502426-019, RPS-502426-024
 Sales Drawing SD-502426-002



EU RoHS

ELV and RoHS Compliant
REACH SVHC
Contains SVHC: No
Halogen-Free Status
Not Reviewed

China RoHS



Need more information on product environmental compliance?

Email productcompliance@molex.com
 For a multiple part number RoHS Certificate of Compliance, [click here](#)

Please visit the [Contact Us](#) section for any non-product compliance questions.

Search Parts in this Series

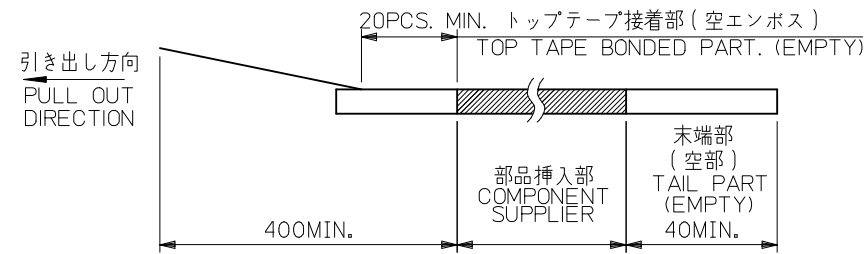
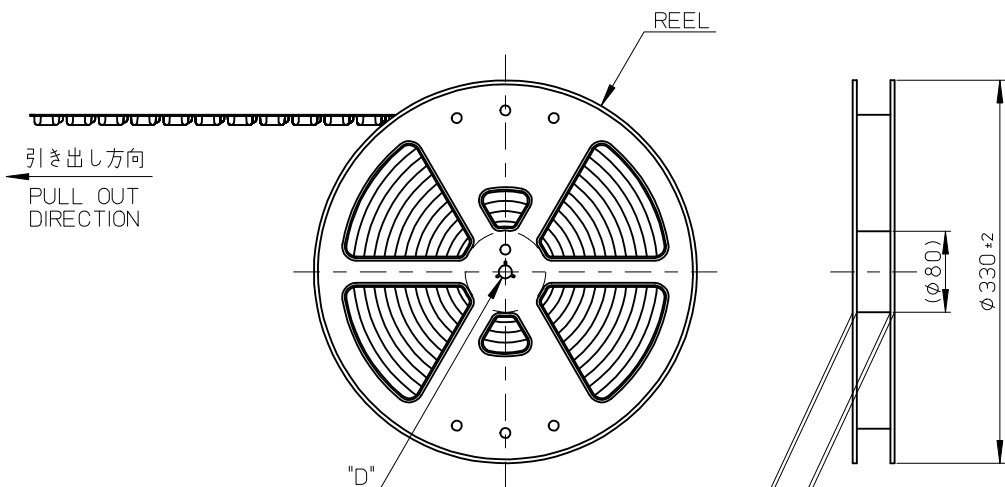
[502426Series](#)

Mates With

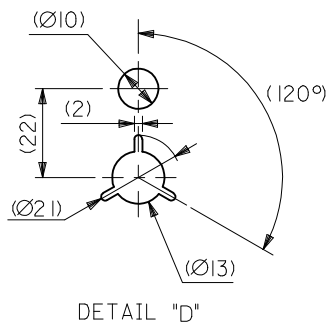
[502430 PCB Header](#)

注記 NOTES

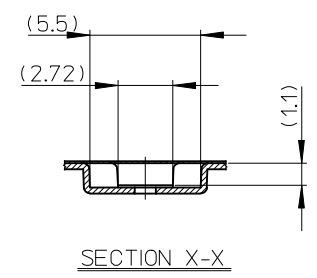
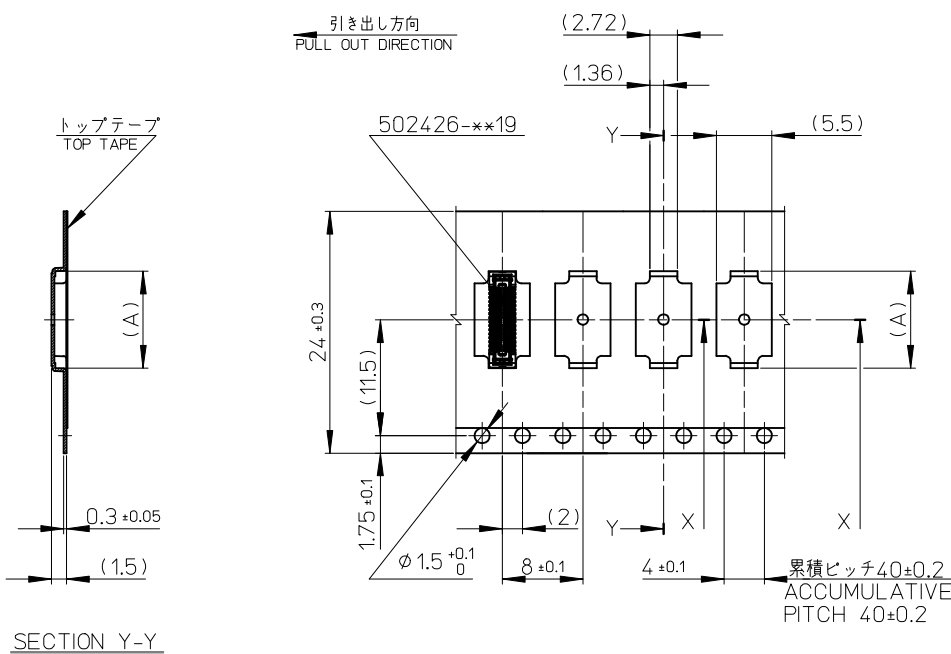
- 製品詳細寸法については製品単体図面を参照下さい。
RE DETAILED DIMENSION, SEE PRODUCT DRAWING.
- 梱包数量: 3000 個/リール
NUMBER OF CONNECTORS : 3000PCS/REEL
- リードテープ長さ LEAD TAPE LENGTH



- 材料 MATERIAL
 キャリアテープ (CARRIER TAPE): ポリスチレン (POLYSTYRENE)
 トップテープ (TOP TAPE): PET, OTHER
 リール (REEL): ポリスチレン (PS) <リサイクル材を含む>
 POLYSTYRENE (PS) <RECYCLE MATERIAL CONTAINED>
- ELV 及び RoHS適合品
 ELV AND RoHS COMPLIANT



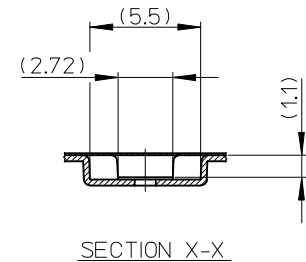
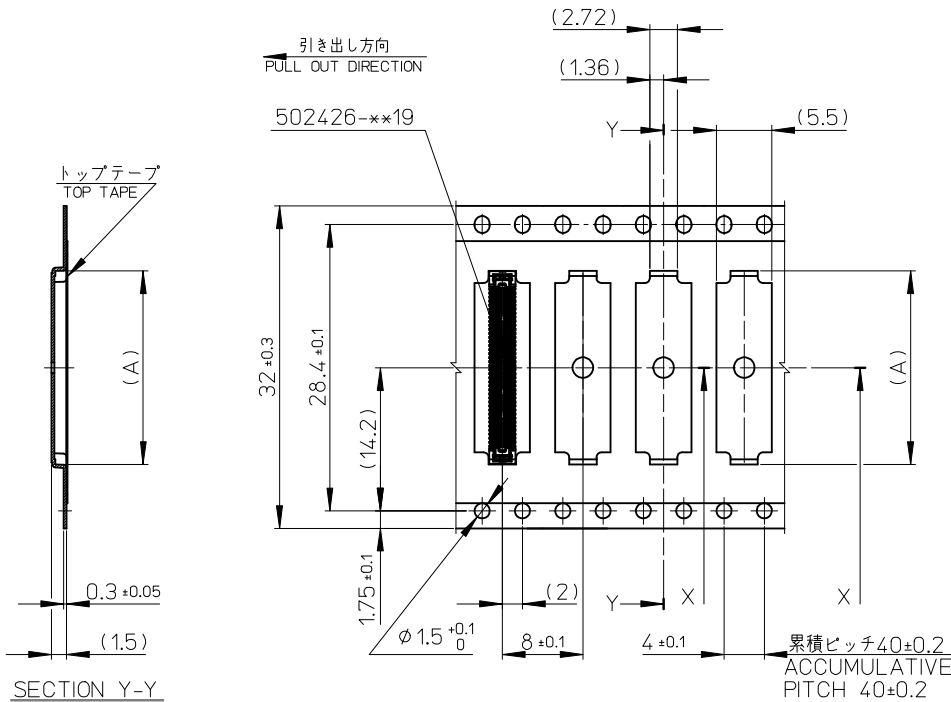
| | | | | | |
|--|---|--|----------------------------|-------------------------------|--|
| REVISED EC NO: J2010-0990 DRWN: TSUZUKI 01 2009/11/09 CHKD: THIRATA 2009/11/09 APPR: MSASAO 2009/11/10 | GENERAL TOLERANCES (UNLESS SPECIFIED) | | DIMENSION STYLE MM ONLY | SCALE --- | MODEL NO. 502426-***10 |
| | 10 UNDER ± --- | | DRAWN BY RTAKEUCHI | DATE 2007/10/03 | DESIGN UNITS METRIC |
| | 10 OVER 30 UNDER ± --- | | CHECKED BY MSASAO | DATE 2007/10/03 | THIRD ANGLE PROJECTION |
| | 30 OVER ± --- | | APPROVED BY MSASAO | DATE 2007/10/03 | TITLE 0.4 B-TO-B CONN. HGT=1.0 REC ASSY EMBSTP PKG |
| DESCRIPTION ANGULAR ± --- ° | DRAFT WHERE APPLICABLE MUST REMAIN WITHIN DIMENSIONS | | MATERIAL NO. SEE TABLE | DOCUMENT NO. SD-502426-002 | SHEET NO. 1 OF 4 |
| SIZE A3 | THIS DRAWING CONTAINS INFORMATION THAT IS PROPRIETARY TO MOLEX INCORPORATED AND SHOULD NOT BE USED WITHOUT WRITTEN PERMISSION | | | | |



24mm 幅キャリアテープ
24mm WIDTH CARRIER TAPE

| | | | | | |
|--------------------------------|------|------|--------------|--------------|------|
| 24 | 29.4 | 25.4 | 16.02 | 502426-6410 | 64 |
| | | | 15.22 | 502426-6010 | 60 |
| | | | 13.22 | 502426-5010 | 50 |
| | | | 12.02 | 502426-4410 | 44 |
| | | | 11.22 | 502426-4010 | 40 |
| | | | 10.02 | 502426-3410 | 34 |
| | | | 9.62 | 502426-3210 | 32 |
| | | | 9.22 | 502426-3010 | 30 |
| キャリアテープ幅 CARRIER TAPE WIDTH | | | C | B | (A) |
| | | | MATERIAL No. | | CKT. |
| | | | MODEL No. | 502426-***10 | |

| | | | | | | |
|--|--|---------------------------------------|--|---|------------------------|---|
| REVISED EC NO: J2010-0990 DRWN: TSUZUKI 2009/11/09 CHKD: THIRATA 2009/11/09 APPR: MSASAO 2009/11/10 | DESCRIPTION GENERAL TOLERANCES (UNLESS SPECIFIED) 10 UNDER ± --- 10 OVER 30 UNDER ± --- 30 OVER ± --- ANGULAR ± --- ° DRAFT WHERE APPLICABLE MUST REMAIN WITHIN DIMENSIONS | DIMENSION STYLE MM ONLY | | SCALE --- | DESIGN UNITS METRIC | TITLE 0.4 B-TO-B CONN. HGT=1.0 REC ASSY EMBSTP PKG MOLEX INCORPORATED DOCUMENT NO. SD-502426-002 SHEET NO. 3 OF 4 |
| | | DRAWN BY DATE RTAKEUCHI 2007/10/03 | | CHECKED BY DATE MSASAO 2007/10/03 | | |
| | | APPROVED BY DATE MSASAO 2007/10/03 | | MATERIAL NO. SEE TABLE | | |
| | | SIZE A3 | | THIS DRAWING CONTAINS INFORMATION THAT IS PROPRIETARY TO MOLEX INCORPORATED AND SHOULD NOT BE USED WITHOUT WRITTEN PERMISSION | | |



32mm 幅キャリアテープ
32mm WIDTH CARRIER TAPE

| | | | | | |
|--------------------------------|------|------|-------|--------------|-------------|
| 32 | 37.4 | 33.4 | 19.22 | 502426-8010 | 80 |
| キャリアテープ幅 CARRIER TAPE WIDTH | | | C | B | (A) |
| | | | | MATERIAL No. | 502426-**10 |
| | | | | MODEL No. | 502426-**10 |

| | | | | | | | | | | |
|---|--------------------|---------------------------------------|------|----------------------------|--------------------|---|------------------------|------------------------|--|--|
| REVISED EC NO: J2010-0990 DRWN: TSUZUKI 2009/11/09 CHKD: THIRATA 2009/11/09 APPR: MSASAO 2009/11/10 | DESCRIPTION REV | GENERAL TOLERANCES (UNLESS SPECIFIED) | | DIMENSION STYLE MM ONLY | | SCALE --- | DESIGN UNITS METRIC | THIRD ANGLE PROJECTION | | |
| | | 10 UNDER | ±--- | DRAWN BY RTAKEUCHI | DATE 2007/10/03 | TITLE 0.4 B-TO-B CONN. HGT=1.0 REC ASSY EMBSTP PKG | | | | |
| | | 10 OVER 30 UNDER | ±--- | CHECKED BY MSASAO | DATE 2007/10/03 | APPROVED BY MSASAO 2007/10/03 | | | | |
| | | 30 OVER | ±--- | MATERIAL NO. SEE TABLE | | DOCUMENT NO. SD-502426-002 | | | | |
| | | ANGULAR ±---° | | SIZE A3 | | THIS DRAWING CONTAINS INFORMATION THAT IS PROPRIETARY TO MOLEX INCORPORATED AND SHOULD NOT BE USED WITHOUT WRITTEN PERMISSION | | | | |
| DRAFT WHERE APPLICABLE MUST REMAIN WITHIN DIMENSIONS | | | | | | | | | | |