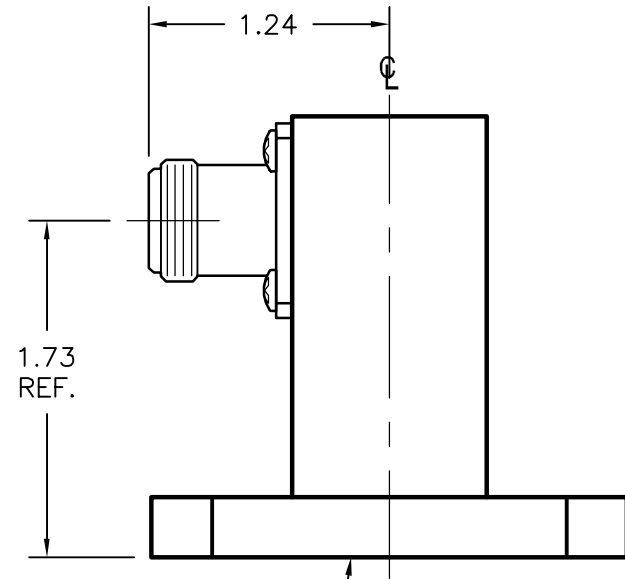
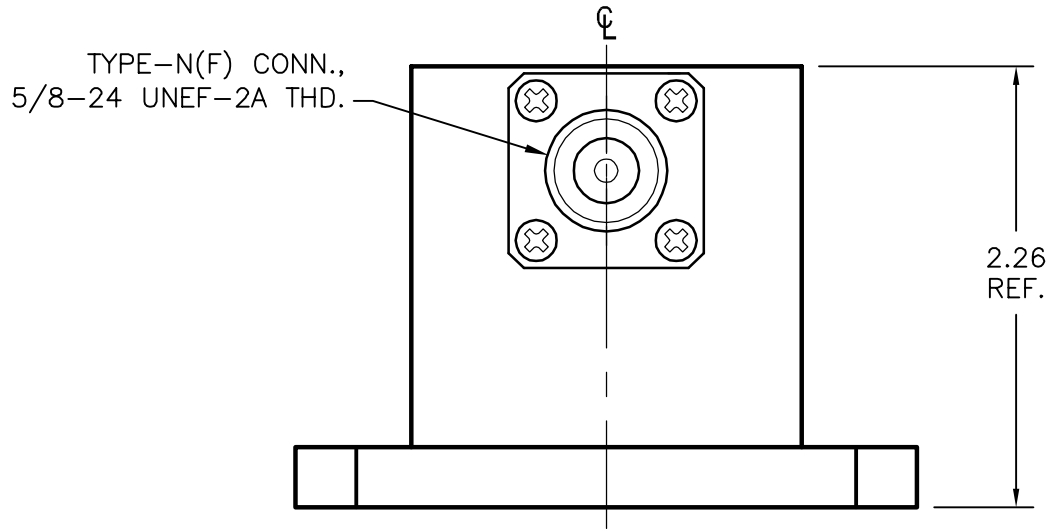


REV <b>A</b>	AUTH <b>JLE</b>	DATE <b>6/6/03</b>	INITIAL RELEASE
REV <b>B</b>	AUTH <b>JLE</b>	DATE <b>06/16/03</b>	CONNECTOR MOVED. HEIGHT 2.27, WAS: 3.04; LOC. 1.73, WAS: 2.50
REV <b>C</b>	AUTH <b>RL</b>	DATE <b>11/27/06</b>	TITLE BLOCK, NOTES UPDATED; PRINT REDESIGNATED FOR WEB OUTLINE.



PERFORMANCE SPECIFICATIONS

MODEL NUMBER: 250-253-FLANGE TYPE\*  
 WG SIZE: WRD250  
 FREQ: 2.6 - 7.8 GHz  
 MAX. VSWR: 1.35  
 FLANGE TYPE: SEE TABLE BELOW

*DOUBLE RIDGE FLANGE TYPES		
DESIGNATION	TYPE	HOLE PATTERN
C1	COVER	ALL THRU/TAPPED
C2		ALL TAPPED
C3		ALL THROUGH
G1	GROOVE	ALL THRU/TAPPED
G2		ALL TAPPED
G3		ALL THROUGH

THIRD ANGLE PROJECTION:		APPROVALS	DATE	<b>ADVANCED TECHNICAL MATERIALS, INC.</b> TEL: (631) 289-0363 FAX: (631) 289-0358 www.atmmicrowave.com	<small>THE INFORMATION IN THIS DRAWING IS PROPRIETARY AND SHALL NOT BE USED OR DISCLOSED WITHOUT THE PRIOR WRITTEN CONSENT OF ATM, INC. DO NOT SCALE DWG.</small>							
UNLESS OTHERWISE NOTED, DIMENSIONS ARE IN INCHES, TOLERANCES ARE: FRACTIONS: ±1/64 ANGLES: ±1/2°		DRAWN <b>RL</b>	<b>11/27/06</b>									
BASIC DIMENSION	DECIMALS 2 PLACE 3 PLACE	APRVD.		<h2 style="text-align: center;">OUTLINE,</h2> <h3 style="text-align: center;">WRD250 W/G-COAX ADAPTER, TYPE-N</h3>								
UNDER 6"	<b>±.03</b> <b>±.005</b>	MATERIAL <b>PER ORDER</b>										
6" - 12"	<b>±.04</b> <b>±.010</b>	TREATMENT <b>-</b>										
OVER 12"	<b>±.06</b> <b>±.015</b>	FINISH <b>ATM STD. GREY</b>		<table border="1"> <tr> <td>SIZE <b>A</b></td> <td>CAGE CODE 0R8N4</td> <td>ATM DWG # <b>5650W</b></td> <td>REVISION <b>C</b></td> </tr> <tr> <td>SCALE <b>1 : 1</b></td> <td>MODEL # <b>250-253-XX</b></td> <td colspan="2">SHEET <b>1/1</b></td> </tr> </table>	SIZE <b>A</b>	CAGE CODE 0R8N4	ATM DWG # <b>5650W</b>	REVISION <b>C</b>	SCALE <b>1 : 1</b>	MODEL # <b>250-253-XX</b>	SHEET <b>1/1</b>	
SIZE <b>A</b>	CAGE CODE 0R8N4	ATM DWG # <b>5650W</b>	REVISION <b>C</b>									
SCALE <b>1 : 1</b>	MODEL # <b>250-253-XX</b>	SHEET <b>1/1</b>										