

**PLEASE CHECK WWW.MOLEX.COM FOR LATEST PART INFORMATION**

**Part Number:** [0014442120](#)  
**Status:** **Active**  
**Overview:** [cgrid\\_sl\\_products](#)  
**Description:** 2.54mm (.100") Pitch SL™ Insulation Displacement Connector Assembly, Male, Single Row, Version D, Back Ribs, for Wire Size 28, 0.38µm (15µ") Gold (Au), 20 Circuits

**Documents:**

[3D Model](#) [Product Specification PS-70400 \(PDF\)](#)  
[Drawing \(PDF\)](#) [RoHS Certificate of Compliance \(PDF\)](#)

**Agency Certification**

CSA LR19980  
 UL E29179

**General**

Product Family Ribbon Cable / Wire Trap Connectors  
 Series [70475](#)  
 Comments Terminals Preloaded  
 Component Type Housing  
 Glow-Wire Compliant No  
 Overview [cgrid\\_sl\\_products](#)  
 Product Name SL™

**Physical**

Circuits (Loaded) 20  
 Color - Resin Black  
 Durability (mating cycles max) 50  
 Entry Angle Vertical  
 Flammability 94V-0  
 Lock to Mating Part None  
 Material - Metal Phosphor Bronze  
 Material - Plating Mating Gold  
 Material - Plating Termination Tin  
 Material - Resin Polyester Alloy  
 Number of Rows 1  
 PCB Retention None  
 Packaging Type Tube  
 Pitch - Mating Interface (in) 0.100 In  
 Pitch - Mating Interface (mm) 2.54 mm  
 Plating min: Mating (µin) 15  
 Plating min: Mating (µm) 0.38  
 Plating min: Termination (µin) 75  
 Plating min: Termination (µm) 1.91  
 Polarized to Mating Part No  
 Stackable Yes  
 Surface Mount Compatible (SMC) N/A  
 Temperature Range - Operating -40°C to +105°C  
 Termination Interface: Style IDT or Pierce  
 Wire Insulation Diameter 1.35mm (.053") max.  
 Wire Size AWG 28  
 Wire/Cable Type Discrete Wire, Ribbon Cable

**Electrical**

Current - Maximum per Contact 1.2A  
 Voltage - Maximum 250V

**Material Info**



**EU RoHS**

**ELV and RoHS  
 Compliant**

**REACH SVHC**

**Contains SVHC: No**

**Halogen-Free**

**Status**

**Not Reviewed**

**Need more information on product  
 environmental compliance?**

Email [productcompliance@molex.com](mailto:productcompliance@molex.com)  
 For a multiple part number RoHS Certificate of  
 Compliance, [click here](#)

Please visit the [Contact Us](#) section for any  
 non-product compliance questions.

**China RoHS**



**Search Parts in this Series**

[70475Series](#)

**Mates With**

[70004](#) Interim Clip (Single Row), [70013](#)  
 Interim Clip (Dual Row)

**Use With**

[7307](#) Tinned 28AWG, [7767](#) Topcoat  
 28AWG, [24241](#) Tinned 26AWG, [8996](#)  
 Topcoat 26AWG, [24226](#) Tinned 24AWG,  
[8997](#) Topcoat 24AWG, [24369](#) High Flex  
 26AWG, [24389](#) High Flex 24AWG

**Reference - Drawing Numbers**

Product Specification

PS-70400

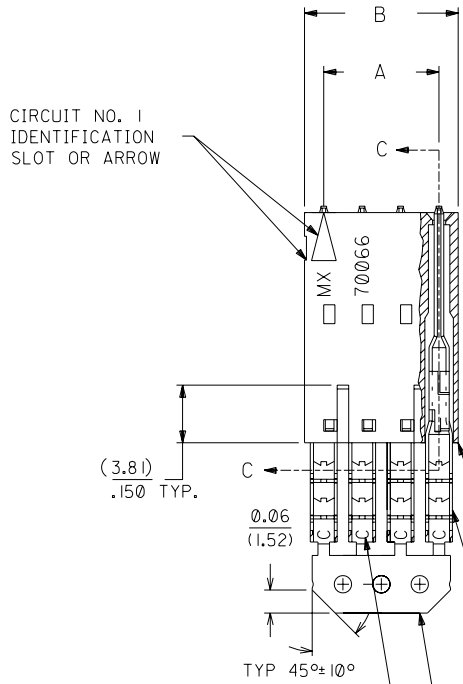
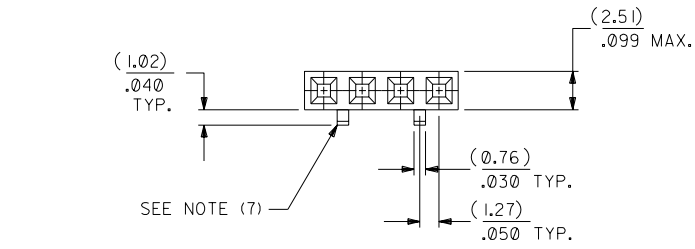
This document was generated on 05/24/2010

**PLEASE CHECK [WWW.MOLEX.COM](http://WWW.MOLEX.COM) FOR LATEST PART INFORMATION**

# OPTION D

**NOTES:**

- 1) TO BE USED WITH (28) AWG. STRANDED WIRE WITH (1.35)/.053 DIA. MAX. INSULATION.
- 2) SEE CHART FOR CIRCUIT SIZES.
- 3) STANDARD PACKAGING PER PK-70873-0001. OPTIONAL PACKAGING MAY BE AVAILABLE, REQUEST DWG. PK-70475.
- 4) PARTS STACKABLE END TO END ON (2.54)/.100 CENTERS.
- 5) REFER TO PRODUCT SPECIFICATION: PS-70475.
- 6) SEE DWG. SDA-70475-\*\*\*\*\* (SHT.3) FOR OPTIONAL HOUSING DETAILS.
- 7) 4 CIRCUIT SHOWN. 3 - 25 CKT'S. HAVE (2) RIBS.
- 8) TO MATE WITH MOLEX PART NO'S.: 70018-\*\*\*\*, 70022-\*\*\*\*, 70104-\*\*\*\*.
- 9) 2 CIRCUIT ASSEMBLIES SUPPLIED AS GROUPED PAIRS.



I.D. SLOT CODE TO WIRE GAUGE CHART	
I.D. SLOT CODE	WIRE GAUGE
C	28 AWG.

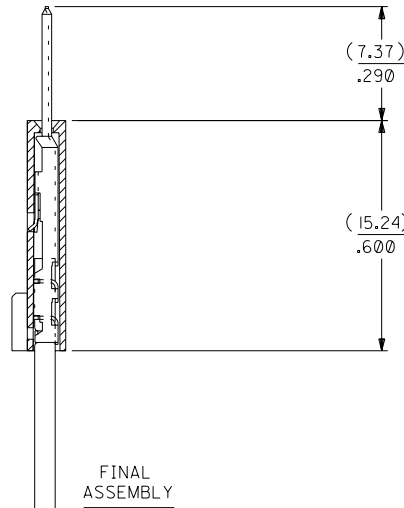
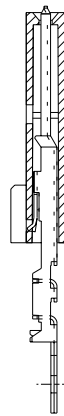
PLATING CODE (STRIPE ON CARRIER STRIP)	
PLATING	COLOR
15 GOLD	YELLOW

15 GOLD - .000015 MINIMUM GOLD IN SELECT AREA WITH .000075 MINIMUM TIN IN SELECT AREA OVER .000050 MINIMUM NICKEL OVER-ALL.

\*THE PRIMARY SHIPPING CARTON WILL BE LABELED "COMPLIANT TO RoHS DIRECTIVE 2002/95/EC AND ELV ANNEX II OF DIRECTIVE 2000/53/EC". CARTONS WITHOUT THIS LABEL MAY CONTAIN PRODUCT WITH LEAD.



**SECTION C-C**



HOUSING PART NO. 70066-\*\*\*\*  
MATERIAL: G.F. POLYESTER, 94V-0

TERMINAL PART NO. 70110-\*\*\*\*  
MATERIAL: PHOSPHOR BRONZE  
PLATING PER ES-88-\*\*\*

WIRE (SEE NOTE 1)

CKT. SIZE	A	B	EDP. NO.	ENG. NO.
2	( 2.54 ) .100	( 5.05 ) .199	14-44-2102	A-70475-0946
3	( 5.08 ) .200	( 7.59 ) .299	14-44-2103	A-70475-0947
4	( 7.62 ) .300	( 10.13 ) .399	14-44-2104	A-70475-0948
5	( 10.16 ) .400	( 12.67 ) .499	14-44-2105	A-70475-0949
6	( 12.70 ) .500	( 15.21 ) .599	14-44-2106	A-70475-0950
7	( 15.24 ) .600	( 17.75 ) .699	14-44-2107	A-70475-0951
8	( 17.78 ) .700	( 20.29 ) .799	14-44-2108	A-70475-0952
9	( 20.32 ) .800	( 22.83 ) .899	14-44-2109	A-70475-0953
10	( 22.86 ) .900	( 25.37 ) .999	14-44-2110	A-70475-0954
11	( 25.54 ) 1.000	( 27.91 ) 1.099	14-44-2111	A-70475-0955
12	( 27.94 ) 1.100	( 30.45 ) 1.199	14-44-2112	A-70475-0956
13	( 30.48 ) 1.200	( 32.99 ) 1.299	14-44-2113	A-70475-0957
14	( 33.02 ) 1.300	( 35.53 ) 1.399	14-44-2114	A-70475-0958
15	( 35.56 ) 1.400	( 38.07 ) 1.499	14-44-2115	A-70475-0959
16	( 38.01 ) 1.500	( 40.61 ) 1.599	14-44-2116	A-70475-0960
17	( 40.64 ) 1.600	( 43.15 ) 1.699	14-44-2117	A-70475-0961
18	( 43.18 ) 1.700	( 45.69 ) 1.799	14-44-2118	A-70475-0962
19	( 45.72 ) 1.800	( 48.23 ) 1.899	14-44-2119	A-70475-0963
20	( 48.26 ) 1.900	( 50.77 ) 1.999	14-44-2120	A-70475-0964
21	( 50.80 ) 2.000	( 53.31 ) 2.099	14-44-2121	A-70475-0965
22	( 53.34 ) 2.100	( 55.85 ) 2.199	14-44-2122	A-70475-0966
23	( 55.88 ) 2.200	( 58.39 ) 2.299	14-44-2123	A-70475-0967
24	( 58.42 ) 2.300	( 60.93 ) 2.399	14-44-2124	A-70475-0968
25	( 60.96 ) 2.400	( 63.47 ) 2.499	14-44-2125	A-70475-0969

LTR.	REVISIONS	LTR.	REVISIONS

DRWG. BY: WAZ	CHK'D. BY: WAZ
APP'D. BY: RL	SCALE: 4 : 1

DIMENSIONS SHOWN (METRIC) INCH UNLESS OTHERWISE SPECIFIED TOLERANCES: ANGULAR ± 1/2°		REVISIONS	
3 PLACE ± .010	INCH	DATE	10 / 13 / 84
2 PLACE ± .014	± 0.25	MATERIAL: G.F. POLYESTER, 94V-0	
1 PLACE ---	± 0.35	MATERIAL: PHOSPHOR BRONZE	
DRAFT WHERE APPLICABLE MUST REMAIN WITHIN DIMENSIONS		MATERIAL: G.F. POLYESTER, 94V-0	
MOLEX INCORPORATED		SHEET NO. 1	
LITSE, ILL. 60532		DATE 10 / 13 / 84	
PART NO. SDA-70475-0946-0969		DRAWING NO. SDA-70475-0946-0969	
SEE CHART		DIV. C	
FILE NAME: S704750X6		THIS DRAWING CONTAINS INFORMATION THAT IS PROPRIETARY TO MOLEX INC. AND SHOULD NOT BE USED WITHOUT WRITTEN PERMISSION.	

MFG. SH. REV.

REVISIONS

REVISIONS

REVISIONS

REVISIONS

REVISIONS

REVISIONS

REVISIONS

REVISIONS

REVISIONS

REVISIONS