

**PLEASE CHECK WWW.MOLEX.COM FOR LATEST PART INFORMATION**

**Part Number:** [1051311001](#)  
**Status:** **Active**  
**Overview:** [esatausb\\_combo\\_receptacles](#)  
**Description:** Combo External Serial ATA and USB Receptacles, Right Angle, Through Hole, with SMT type Front Solder Tabs, Reverse Mount on Recessed PCB, Lead free

**Documents:**

[Drawing \(PDF\)](#) [RoHS Certificate of Compliance \(PDF\)](#)

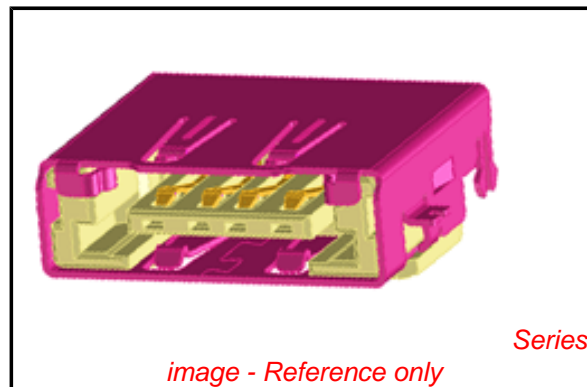
**General**

Product Family	I/O Connectors
Series	<a href="#">105131</a>
Application	Wire-to-Board
Comments	SMT type front solder tabs . Reverse mounted on recessed PCB . Durability: 1,500 cycles for USB; 2,500 cycles for eSATA
Component Type	Receptacle
Overview	<a href="#">esatausb_combo_receptacles</a>
Product Name	eSATA/USB Combo, External Serial ATA, USB
Type	N/A

**Physical**

Circuits (Loaded)	4, 7
Circuits Detail	eSATA: 7 circuits; USB: 4 circuits
Color - Resin	Black
Durability (mating cycles max)	1,500
Gender	Male
Keying to Mating Part	Yes
Lock to Mating Part	Yes
Material - Metal	Copper Alloy
Material - Plating Mating	Gold
Material - Plating Termination	Tin
Material - Resin	High Temperature Thermoplastic
Number of Rows	2
Orientation	Right Angle
PCB Locator	No
PCB Retention	Yes
PCB Thickness Recommended (in)	0.047 In
PCB Thickness Recommended (mm)	1.20 mm
Packaging Type	Embossed Tape on Reel
Panel Mount	Yes
Pitch - Mating Interface (in)	0.050 In, 0.079 In, 0.098 In
Pitch - Mating Interface (mm)	1.27 mm, 2.00 mm, 2.50 mm
Pitch - Term. Interface (in)	0.050 In, 0.079 In, 0.098 In
Pitch - Term. Interface (mm)	1.27 mm, 2.00 mm, 2.50 mm
Plating min: Mating (µin)	15
Plating min: Mating (µm)	0.38
Plating min: Termination (µin)	80
Plating min: Termination (µm)	2
Polarized to Mating Part	Yes
Polarized to PCB	Yes
Ports	1
Temperature Range - Operating	-35°C to +85°C
Termination Interface: Style	Through Hole

**Electrical**



**EU RoHS**

**ELV and RoHS  
Compliant  
REACH SVHC  
Not Reviewed  
Halogen-Free  
Status  
Not Reviewed**

**China RoHS**



**Need more information on product environmental compliance?**

Email [productcompliance@molex.com](mailto:productcompliance@molex.com)  
 For a multiple part number RoHS Certificate of Compliance, [click here](#)

Please visit the [Contact Us](#) section for any non-product compliance questions.

**Search Parts in this Series**

[105131Series](#)

**Mates With**

External Serial ATA Cable Assembly or USB Type A Cable Assembly

Current - Maximum per Contact	1.5A
Grounding to Panel	Yes
Shield Type	Full Shield
Shielded	Yes
Voltage - Maximum	15V DC

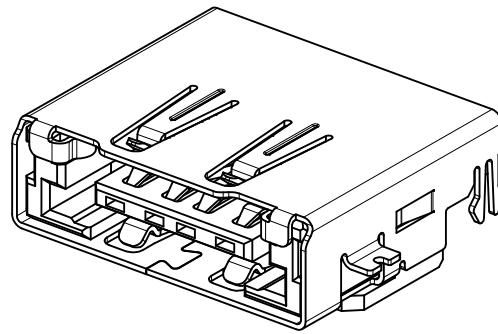
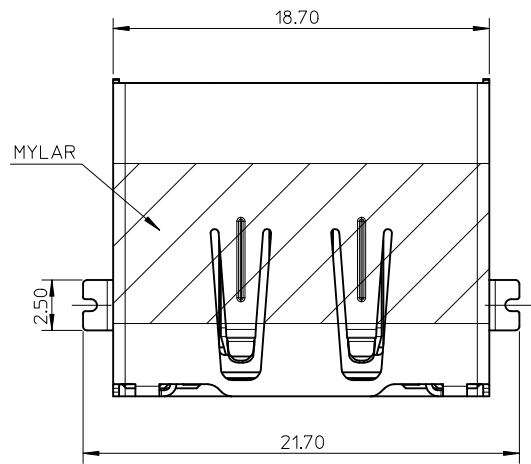
### **Material Info**

### **Reference - Drawing Numbers**

Packaging Specification	PK-105131-001
Sales Drawing	SD-105131-100

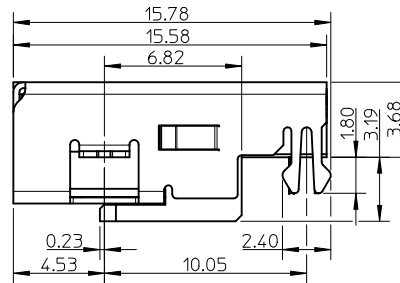
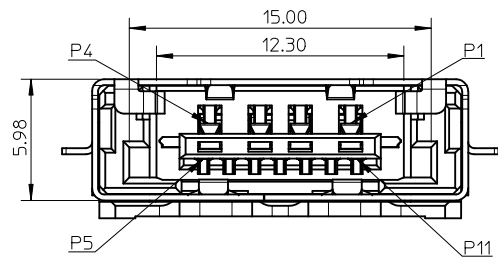
This document was generated on 05/31/2010

**PLEASE CHECK [WWW.MOLEX.COM](http://WWW.MOLEX.COM) FOR LATEST PART INFORMATION**



NOTES:

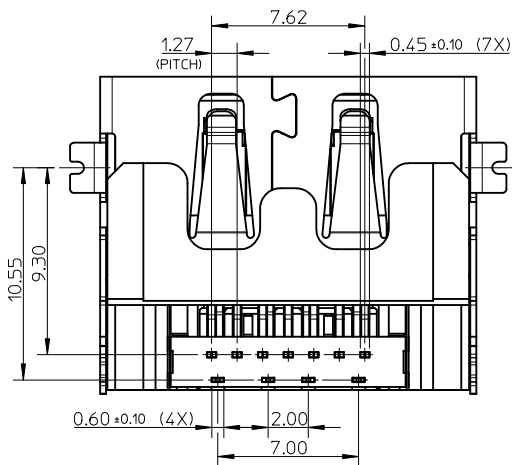
- MATERIAL:  
HOUSING: HIGH TEMPERATURE THERMOPLASTIC, 30% GLASS FILLED, BLACK, UL94V-0.  
TERMINAL-1: COPPER ALLOY.  
TERMINAL-2: COPPER ALLOY.  
METAL SHELL: METAL.
- TERMINAL PLATING:  
CONTACT AREA: GOLD PLATING.  
SOLDER AREA: TIN PLATING, 2.0 MICROMETERS MINIMUM.  
UNDER PLATING: NICKEL PLATING, 2.0 MICROMETERS MINIMUM.
- METAL SHELL PLATING: SOLDERABLE NICKEL PLATING.
- PRODUCT SPECIFICATION: PS-47403-001.
- PACKAGE SPECIFICATION: PK-105131-001.
- PRODUCT COMPLIANT TO RoHS DIRECTIVE 2002/95/EC AND ELV DIRECTIVE 2000/53/EC.



PIN ASSIGNMENT

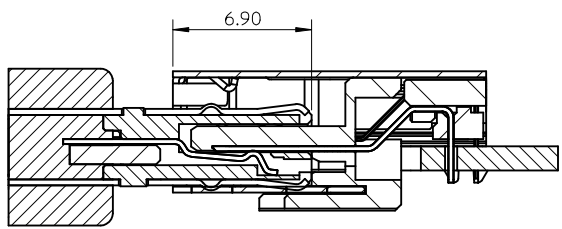
USB		I/O SATA	
NAME	TYPE	NAME	TYPE
P1	VBUS	P5	GND
P2	D-	P6	A+
P3	D+	P7	A-
P4	GND	P8	GND
		P9	B-
		P10	B+
		P11	GND

105131-1002	0.76 MICROMETRE MIN. GOLD
105131-1001	0.38 MICROMETRE MIN. GOLD
105131-1000	GOLD FLASH
P/N	CONTACT AREA PLATING

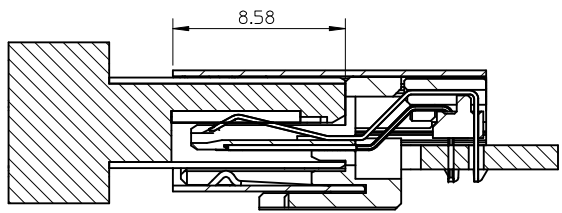


<p><b>NEW RELEASE</b> EC NO: SH2010-0386 DRWN: XQZHANG 2010/04/06 CHKD: GLLI 2010/04/06 APPR: XJSONG 2010/04/21</p>	<p>QUALITY SYMBOLS ▽=0 ▽=0 ▽=0</p>	GENERAL TOLERANCES (UNLESS SPECIFIED)		DIMENSION STYLE	SCALE	DESIGN UNITS	THIRD ANGLE PROJECTION		
				MM ONLY	4:1	METRIC			
				mm	INCH	DRAWN BY	DATE	TITLE	
				ANGULAR ± 3°		XQZHANG	2009/10/09	SALES DRAWING FOR COMBO OF EXTERNAL SATA AND USB REVERSE TYPE	
		DRAFT WHERE APPLICABLE MUST REMAIN WITHIN DIMENSIONS		CHECKED BY	DATE	MOLEX INCORPORATED			
				XJSONG	2009/10/09	MOLEX INCORPORATED			
				APPROVED BY	DATE	DOCUMENT NO.			
				XJSONG	2010/04/07	SD-105131-100			
				MATERIAL NO.	SHEET NO.				
				SEE TABLE	1 OF 2				
				SIZE	THIS DRAWING CONTAINS INFORMATION THAT IS PROPRIETARY TO MOLEX INCORPORATED AND SHOULD NOT BE USED WITHOUT WRITTEN PERMISSION				
				A3					

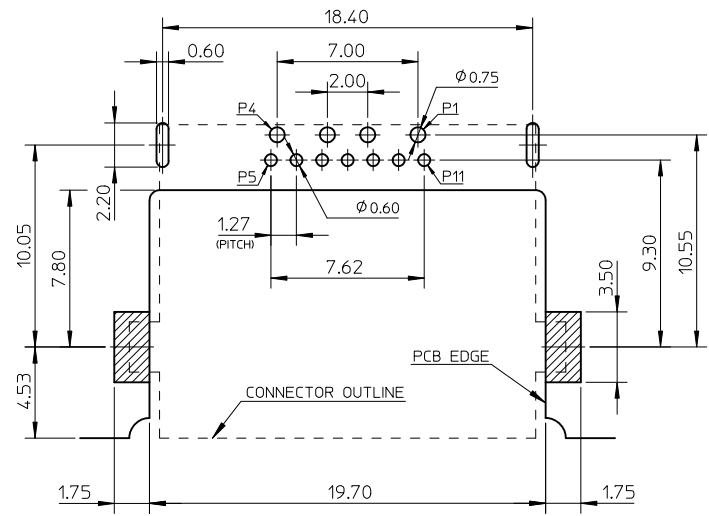
10 9 8 7 6 5 4 3 2 1



MATING WITH ESATA



MATING WITH USB



RECOMMEND PCB LAYOUT T=1.20  
PCB TOLERANCE : ±0.05

SEE SHEET 1 IEC NO: SH2010-0386 DRWN: XQZHANG 2010/04/06 CH'KD: GLLI 2010/04/06 APPR: XJSONG 2010/04/21	QUALITY SYMBOLS $\nabla_{\text{A}}=0$ $\nabla_{\text{B}}=0$ $\nabla_{\text{C}}=0$	GENERAL TOLERANCES (UNLESS SPECIFIED)		DIMENSION STYLE MM ONLY		SCALE 4:1	DESIGN UNITS METRIC	THIRD ANGLE PROJECTION	
			m.m	INCH	DRAWN BY XQZHANG	DATE 2009/10/09	TITLE SALES DRAWING FOR COMBO OF EXTERNAL SATA AND USB REVERSE TYPE		
		4 PLACES	± ---	± ---	CHECKED BY XJSONG	DATE 2009/10/09	MOLEX INCORPORATED		
		3 PLACES	± ---	± ---	APPROVED BY XJSONG	DATE 2010/04/07	MATERIAL NO.	DOCUMENT NO.	SHEET NO.
	2 PLACES	± 0.25	± ---	SEE SHEET 1		SD-105131-100		2 OF 2	
	1 PLACE	± 0.25	± ---	DRAFT WHERE APPLICABLE MUST REMAIN WITHIN DIMENSIONS		THIS DRAWING CONTAINS INFORMATION THAT IS PROPRIETARY TO MOLEX INCORPORATED AND SHOULD NOT BE USED WITHOUT WRITTEN PERMISSION			
	ANGULAR ± 3 °								

9 8 7 6 5 4 3 2 1