

PLEASE CHECK WWW.MOLEX.COM FOR LATEST PART INFORMATION

Part Number: [0876675004](#)
Status: **Active**
Overview: [extreme_powerplus_ssi](#)
Description: 6.35mm (.250") Pitch Power, 2.54mm (.100") Pitch Signal, EXTreme PowerPlus™ S-Pb Header, Through Hole, Right Angle, with Beveled Metal Pins, Long Blade, 34 Circuits, Signal 24, Power Beta 10, No Recessed Signal Pin, Lead-free

Documents:

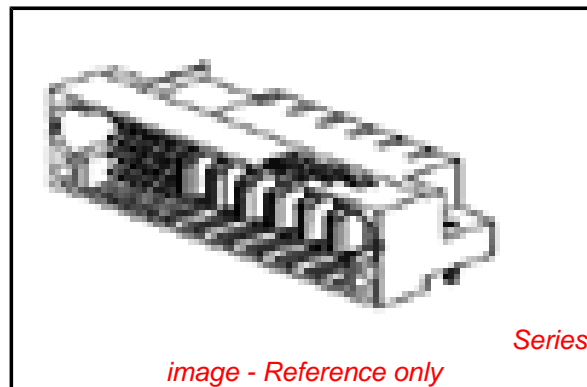
[3D Model](#) [Product Specification PS-87631-006 \(PDF\)](#)
[Drawing \(PDF\)](#) [RoHS Certificate of Compliance \(PDF\)](#)

General

Product Family	PCB Headers
Series	87667
Application	Board-to-Board
Comments	Long Blade No Recessed Signal Pin
Overview	extreme_powerplus_ssi
Product Literature Order No	987650-3002
Product Name	EXTreme PowerPlus™

Physical

Breakaway	No
Circuits (Loaded)	34
Circuits Detail	Signal 24 Power Beta 10
Color - Resin	Black
Durability (mating cycles max)	100
First Mate / Last Break	No
Glow-Wire Compliant	No
Guide to Mating Part	Yes
Keying to Mating Part	Yes
Lock to Mating Part	Yes
Material - Metal	Copper Alloy
Material - Plating Mating	Gold
Material - Plating Termination	Tin
Material - Resin	High Temperature Thermoplastic
Number of Rows	4
Orientation	Right Angle
PC Tail Length (in)	0.135 In
PC Tail Length (mm)	3.43 mm
PCB Locator	No
PCB Retention	Yes
PCB Thickness Recommended (in)	0.062 In
PCB Thickness Recommended (mm)	1.57 mm
Packaging Type	Tray
Pitch - Mating Interface (in)	0.100 In, 0.250 In
Pitch - Mating Interface (mm)	2.54 mm, 6.35 mm
Pitch - Term. Interface (in)	0.100 In, 0.125 In, 0.150 In, 0.250 In
Pitch - Term. Interface (mm)	2.54 mm, 3.18 mm, 3.81 mm, 6.35 mm
Plating min: Mating (µin)	30
Plating min: Mating (µm)	0.76
Plating min: Termination (µin)	100
Plating min: Termination (µm)	2.54
Polarized to Mating Part	Yes
Polarized to PCB	Yes
Shrouded	Fully
Stackable	No



EU RoHS

ELV and RoHS Compliant
REACH SVHC
 Not Reviewed
Halogen-Free Status

China RoHS



Need more information on product environmental compliance?

Email productcompliance@molex.com
 For a multiple part number RoHS Certificate of Compliance, [click here](#)

Please visit the [Contact Us](#) section for any non-product compliance questions.

Search Parts in this Series

[87667Series](#)

Mates With

[87668](#) EXTreme PowerPlus™ S-Pb Receptacles with Beveled Metal Pins. [87710](#) EXTreme PowerPlus™ S-Pb Receptacles with Press-fit PC Tail

Temperature Range - Operating -20°C to +105°C
Termination Interface: Style Through Hole

Electrical

Current - Maximum per Contact 2.5A, 30A
Voltage - Maximum 250V DC

Solder Process Data

Duration at Max. Process Temperature (seconds) 10
Lead-free Process Capability SMC & Wave Capable (TH only)
Max. Cycles at Max. Process Temperature 3
Process Temperature max. C 260

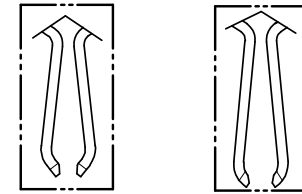
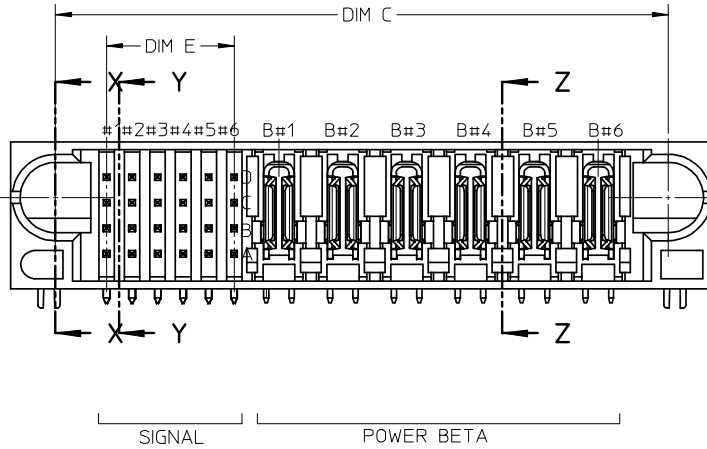
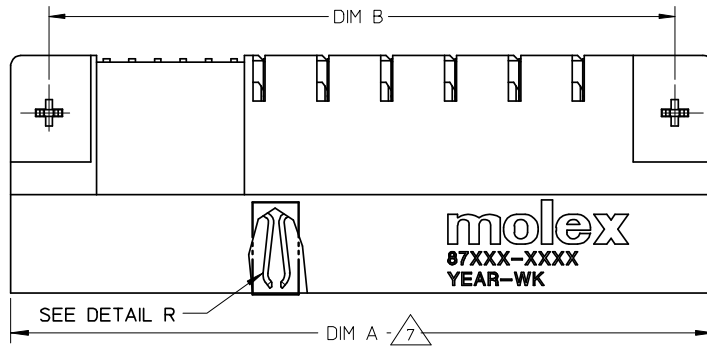
Material Info

Reference - Drawing Numbers

Application Specification AS-87631-018
Product Specification PS-87631-006
Sales Drawing SD-87667-013

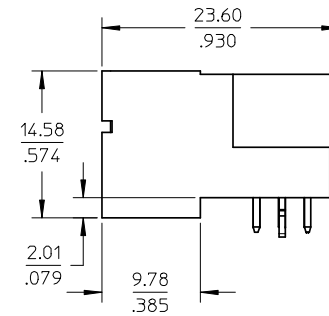
This document was generated on 05/25/2010

PLEASE CHECK WWW.MOLEX.COM FOR LATEST PART INFORMATION



SHORT BLADE OPTION LONG BLADE OPTION

DETAIL R
(SEE TABLE FOR BLADE OPTION)



NOTES:

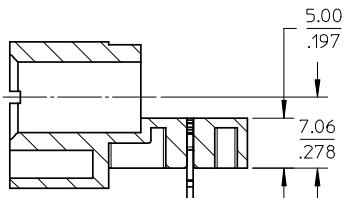
- 1 MATERIALS : HOUSING - LCP, GLASS FILLED, UL94V-0, COLOR: BLACK
POWER PINS - COPPER ALLOY
SIGNAL PINS - COPPER ALLOY
BOARD LOCK - COPPER ALLOY
- 2 FINISHES: POWER AND SIGNAL PINS
SELECTIVE GOLD IN THE CONTACT AREA
THICKNESS = 0.76 MICROMETER / 30 MICROINCH MINIMUM
SELECTIVE TIN IN THE PC TAIL AREA
THICKNESS = 2.54 MICROMETER / 100 MICROINCH MINIMUM
1.27um MINIMUM NICKEL OVERALL UNDERPLATE.
- 3 PRODUCT SPECIFICATIONS : PS-87631-006
- 4 SEE SHEET 2 FOR RECOMMENDED PCB LAYOUT AND THICKNESS
- 5 COMPONENT STAY AWAY ZONE FROM CONNECTOR
- 6 REFER TO THE TABLE ON TOP OF PAGE 3/3 FOR RECESSED PINS LOCATION
- 7 24 SIGNAL - 6 POWER CONNECTOR IS SHOWN FOR ILLUSTRATION

PDR#S-001742-00-00 EC NO: S2008-0558 DRWN:SKANG 2008/01/14 CHKD:ATSEE 2008/01/14 APPR:MLONG 2008/01/14	QUALITY SYMBOLS	= 0 = 0
	REV	

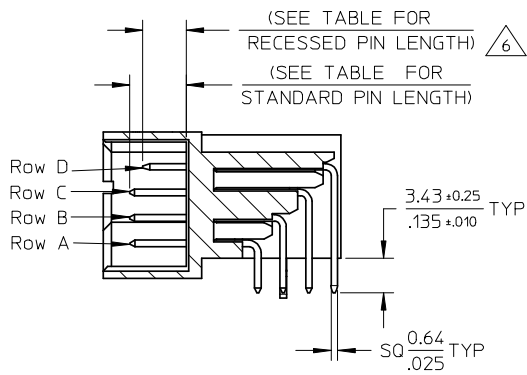
GENERAL TOLERANCES (UNLESS SPECIFIED)	mm	INCH
	4 PLACES ± ---	± ---
3 PLACES ± ---	± .010	
2 PLACES ± 0.25	± ---	
1 PLACE ± ---	± ---	
ANGULAR ± 3 °		
DRAFT WHERE APPLICABLE MUST REMAIN WITHIN DIMENSIONS		

DIMENSION STYLE MM/IN	
DRAWN BY BHLOW	DATE 2002/10/28
CHECKED BY PTLIM	DATE 2002/11/07
APPROVED BY SKTOH	DATE 2002/11/12
MATERIAL NO. SEE TABLE	

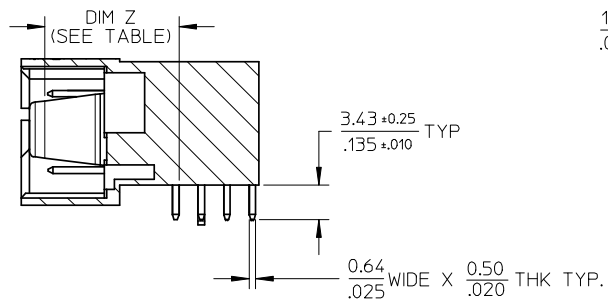
SCALE NTS	DESIGN UNITS METRIC	THIRD ANGLE PROJECTION
TITLE POWER CONNECTOR PLUG S-P(B) CONFIGURATION R/A, T/H, BOARD-LOCK		
MOLEX MOLEX INCORPORATED		SHEET NO. 1 OF 3
DOCUMENT NO. SD-87667-013		



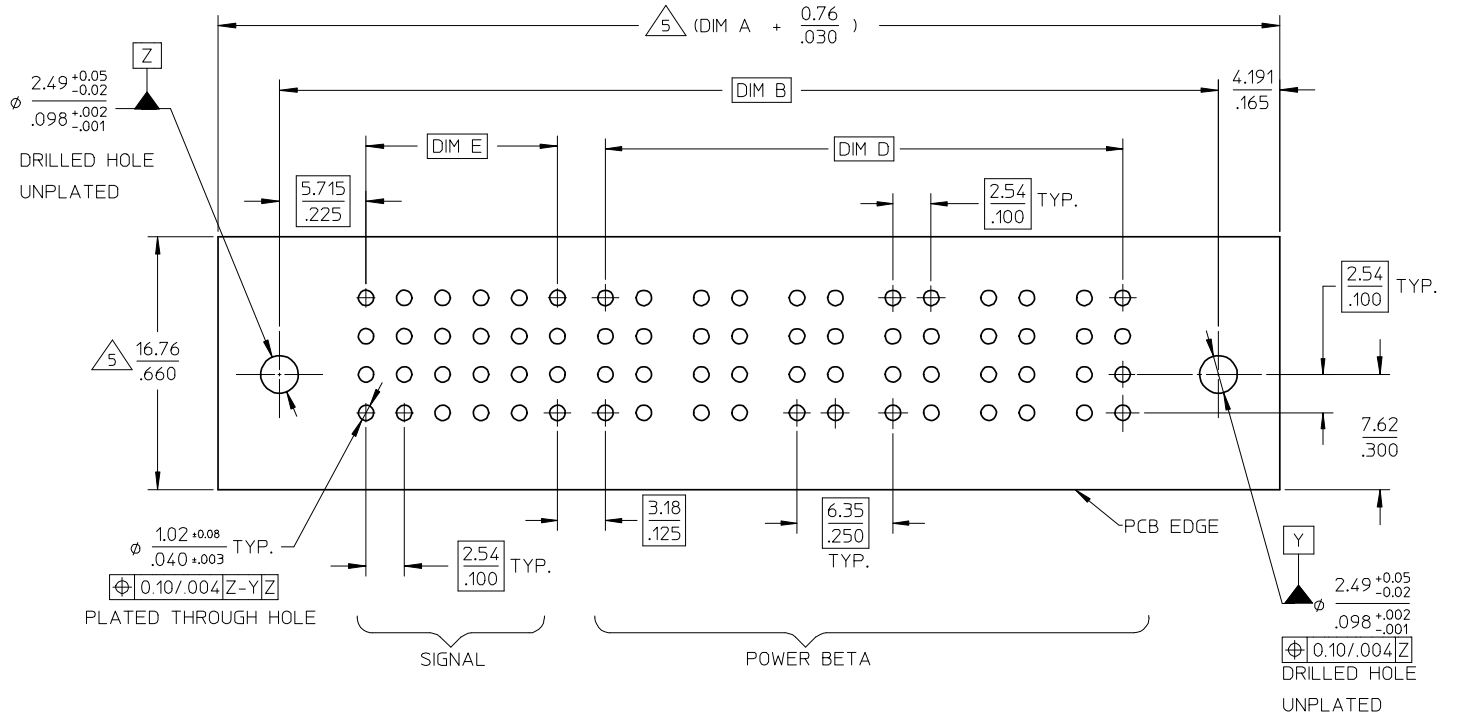
SECTION X-X



SECTION Y-Y



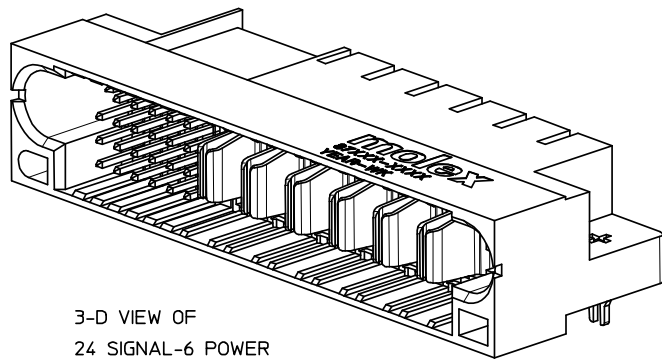
SECTION Z-Z



RECOMMENDED PCB LAYOUT

PDR#S-001742-00-00 EC NO: S2008-0558 DRWN:SKANG 2008/01/14 CHKD:ATSEE 2008/01/14 APPR:MLONG 2008/01/14 REV:	QUALITY SYMBOLS	GENERAL TOLERANCES (UNLESS SPECIFIED)	DIMENSION STYLE	SCALE	DESIGN UNITS	THIRD ANGLE PROJECTION
	▼=0 ∇=0	4 PLACES ± --- ± --- 3 PLACES ± --- ± .010 2 PLACES ± 0.25 ± --- 1 PLACE ± --- ± --- ANGULAR ± 3 °	MM/IN	NTS	METRIC	
			DRAWN BY	DATE	TITLE	
			PTLIM	DATE	POWER CONNECTOR PLUG S-P(B) CONFIGURATION R/A, T/H, BOARD-LOCK	
			APPROVED BY	DATE	MOLEX INCORPORATED	
			SKTOH	DATE	DOCUMENT NO. SHEET NO.	
			MATERIAL NO.	DATE	SD-87667-013 2 OF 3	
		DRAFT WHERE APPLICABLE MUST REMAIN WITHIN DIMENSIONS	SIZE	THIS DRAWING CONTAINS INFORMATION THAT IS PROPRIETARY TO MOLEX INCORPORATED AND SHOULD NOT BE USED WITHOUT WRITTEN PERMISSION		
			A3			

PART NUMBER	S-P CONFIGURATION		DIMENSIONS					POWER BLADE OPTIONS		STANDARD SIGNAL	RECESS SIGNAL		VOID PIN LOCATION	PACKAGING
	SIGNAL	POWER BETA	DIM A	DIM B	DIM C	DIM D	DIM E	TYPE	DIM Z±0.13/.005	PIN LENGTH	PIN LENGTH	LOCATION		
87667-5001	24	14	120.65 4.750	113.03 4.450	111.76 4.400	85.09 3.350	12.70 .500	SHORT CONTACT	13.32/.524	5.59/.220	4.32/.170	NIL	NIL	TRAY
87667-5002	24	6	69.85 2.750	62.23 2.450	60.96 2.400	34.29 1.350	12.70 .500	SHORT CONTACT	13.32/.524	5.59/.220	4.32/.170	NIL	NIL	TRAY
87667-5003	24	6	69.85 2.750	62.23 2.450	60.96 2.400	34.29 1.350	12.70 .500	LONG CONTACT	14.12/.556	6.86/.270	5.59/.220	A1,A2, B1,B2, C1,C2, D1,D2	NIL	TRAY
87667-5004	24	10	95.25 3.750	87.63 3.450	86.36 3.400	59.69 2.350	12.70 .500	LONG CONTACT	14.12/.556	6.86/.270	5.59/.220	NIL	NIL	TRAY
87667-5005	20	4	54.61 2.150	46.99 1.850	45.72 1.800	21.59 .850	10.16 .400	LONG CONTACT	14.12/.556	6.86/.270	5.59/.220	NIL	NIL	TRAY
87667-5006	24	6	69.85 2.750	62.23 2.450	60.96 2.400	34.29 1.350	12.70 .500	LONG CONTACT	14.12/.556	6.86/.270	5.59/.220	NIL	NIL	TRAY
87667-5010	24	4	57.15 2.250	49.53 1.950	48.26 1.900	21.59 .850	12.70 .500	LONG CONTACT	14.12/.556	6.86/.270	5.59/.220	NIL	NIL	TRAY
87667-5011	12	10	87.63 3.45	80.01 3.150	78.74 3.100	59.69 2.350	5.08 .200	LONG CONTACT	14.12/.556	6.86/.270	5.59/.220	NIL	NIL	TRAY
87667-5013	20	4	54.61 2.150	46.99 1.850	45.72 1.800	21.59 .850	10.16 .400	LONG CONTACT	14.12/.556	6.86/.270	5.59/.220	A1,A5	A4,B4,C4,D4	TRAY
87667-5014	32	14	125.73 4.950	118.11 4.650	116.84 4.600	85.09 3.350	17.78 .700	LONG CONTACT	14.12/.556	6.86/.270	5.59/.220	C1 TO C8 D1 TO D8	NIL	TRAY
87667-5015	24	10	95.25 3.750	87.63 3.450	86.36 3.400	59.69 2.350	12.70 .500	LONG CONTACT	14.12/.556	6.86/.270	5.59/.220	A1,B5,C5	NIL	TRAY
87667-5016	24	4	57.15 2.250	49.53 1.950	48.26 1.900	21.59 .850	12.70 .500	LONG CONTACT	14.12/.556	6.86/.270	5.59/.220	D6	NIL	TRAY
87667-5017	24	6	69.85 2.750	62.23 2.450	60.96 2.400	34.29 1.350	12.70 .500	LONG CONTACT	14.12/.556	6.86/.270	5.59/.220	C4	NIL	TRAY



3-D VIEW OF
24 SIGNAL-6 POWER
FOR ILLUSTRATION

PDR#S-001742-00-00 EC NO: S2008-0558 DRWN:SKANG 2008/01/14 CHYD:ATSEE 2008/01/14 APPR:MLONG 2008/01/14 REV DESCRIPTION	QUALITY SYMBOLS	GENERAL TOLERANCES (UNLESS SPECIFIED)	DIMENSION STYLE	SCALE	DESIGN UNITS	THIRD ANGLE PROJECTION	
	$\nabla = 0$ $\sphericalangle = 0$	mm INCH	MM/IN	NTS	METRIC		
		4 PLACES ± --- ± ---	BHLOW 2002/10/28	DRAWN BY DATE	TITLE	POWER CONNECTOR PLUG	
		3 PLACES ± --- ± .010	CHECKED BY DATE	PTL IM 2002/11/07		S-P(B) CONFIGURATION	
	2 PLACES ± 0.25 ± ---	APPROVED BY DATE	SKTOH 2002/11/12		R/A, T/H, BOARD-LOCK		
	1 PLACE ± --- ± ---				MOLEX INCORPORATED		
	ANGULAR ± 3°				MATERIAL NO. DOCUMENT NO.		
		DRAFT WHERE APPLICABLE MUST REMAIN WITHIN DIMENSIONS	SEE TABLE		SD-87667-013		
			SIZE A3	THIS DRAWING CONTAINS INFORMATION THAT IS PROPRIETARY TO MOLEX INCORPORATED AND SHOULD NOT BE USED WITHOUT WRITTEN PERMISSION			
					SHEET NO. 3 OF 3		