

PLEASE CHECK WWW.MOLEX.COM FOR LATEST PART INFORMATION

Part Number: [0008500030](#)
Status: **Active**
Overview: [kk](#)
Description: KK® Cat Ear Crimp Terminal 4809, 22-30 AWG, Hot Tin, Reel, 2.20mm (.087") Insulation Crimp

Documents:

[3D Model](#) [Product Specification PS-99020-0088 \(PDF\)](#)
[Drawing \(PDF\)](#) [RoHS Certificate of Compliance \(PDF\)](#)
[Product Specification PS-10-07 \(PDF\)](#)

General

Product Family Crimp Terminals
 Series 4809
 Comments 2.20mm (.087") Insulation Crimp
 Crimp Quality Equipment Yes
 Overview [kk](#)
 Product Name Cat Ear, KK®

Physical

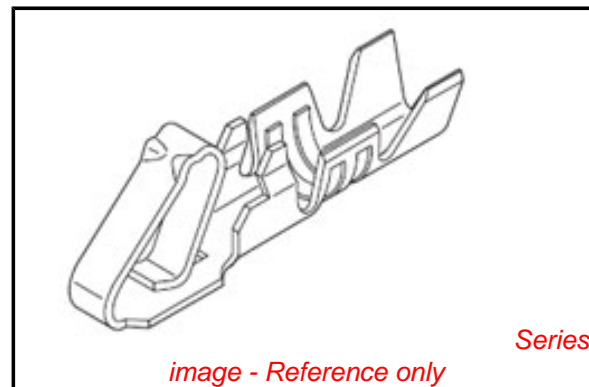
Gender Female
 Material - Metal Brass
 Material - Plating Mating Tin
 Material - Plating Termination Tin
 Packaging Type Reel
 Plating min: Mating (µin) 40
 Plating min: Mating (µm) 1.00
 Plating min: Termination (µin) 40
 Plating min: Termination (µm) 1.00
 Termination Interface: Style Crimp or Compression
 Wire Insulation Diameter 1.57mm (.062") max.
 Wire Size AWG 22, 24, 26, 28, 30
 Wire Size mm² N/A

Material Info

Old Part Number 4809-C-P902M

Reference - Drawing Numbers

Product Specification PS-10-07, PS-99020-0088
 Sales Drawing SD-4809C-(***)*



EU RoHS

**ELV and RoHS
 Compliant**
**REACH SVHC
 Contains SVHC: No**
**Halogen-Free
 Status**

China RoHS



**Need more information on product
 environmental compliance?**

Email productcompliance@molex.com
 For a multiple part number RoHS Certificate of Compliance, [click here](#)

Please visit the [Contact Us](#) section for any non-product compliance questions.

Search Parts in this Series

[4809Series](#)

Use With

[5051](#) , [6471](#)

Application Tooling | FAQ

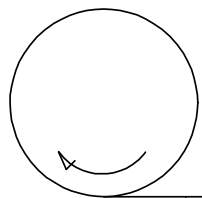
Tooling specifications and manuals are found by selecting the products below. Crimp Height Specifications are then contained in the Application Tooling Specification document.

Global

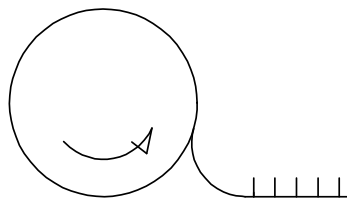
Description	Product #
Extraction Tool	0011030022
Terminator Die	0011402102
Insertion Tool	0638120000
Mini-Mac™ for KK®	0638887000
Cat Ear and Anti Fish Hook Crimp Terminals, 22-30 AWG	

This document was generated on 06/01/2010

PLEASE CHECK WWW.MOLEX.COM FOR LATEST PART INFORMATION



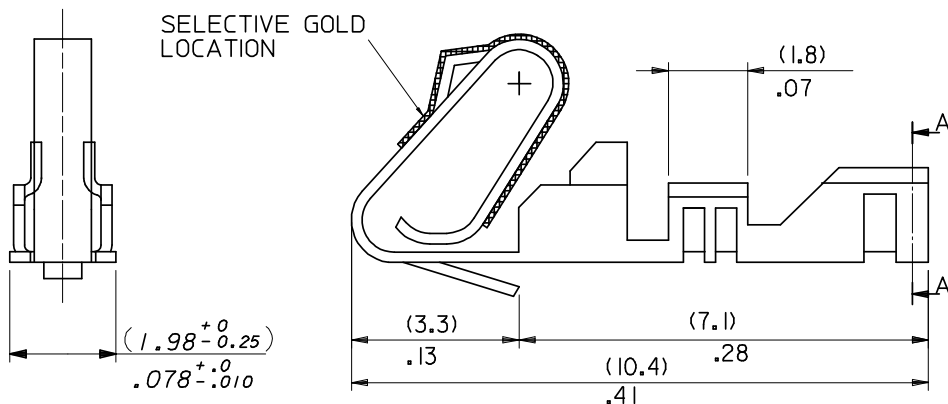
'A' WINDING REEL
PER ES 339



'B' WINDING REEL
PER ES 339

FINISH NOTES:

- (999) - UNPLATED
- (P902) - HOT TIN (1.0 - 2.5um) 0.000040" - 0.000100"
- (102) - OVERALL ELECTRO TIN (5.0um) 0.00020" MIN OVERALL COPPER (3.0um) 0.00013" MIN
- (555) - SELECTIVE GOLD (0.38um) 0.000015" MIN OVERALL NICKEL (0.75um) 0.000030" MIN

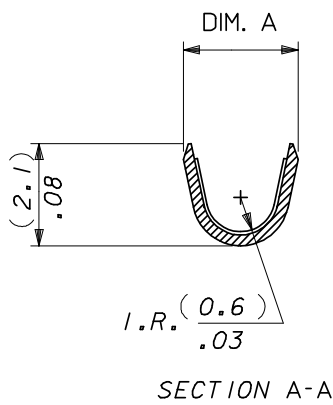


08-55-0112	4809C-(555)M	CHAIN	(555)	(2.2)/.087 REF
08-50-0030	4809C-(P902)M	CHAIN	(P902)	(2.2)/.087 REF
08-50-0031	4809C-(P902)	CHAIN	(P902)	(2.1)/.083 REF
08-50-0032	4809C-(P902)L	LOOSE	(P902)	(2.1)/.083 REF
97-00-0450	4809C-(999)	CHAIN	(999)	(2.1)/.083 REF
97-00-0451	4809C-(999)L	LOOSE	(999)	(2.1)/.083 REF
PART No	ENG No	FORM	SEE FINISH NOTES	DIM . A
'B' WINDING PER E.S. 339 (CHAIN ONLY)				

97-00-0001	4809C-(P902)BF	CHAIN	(P902)	(2.1)/.083 REF
PART No	ENG No	FORM	SEE FINISH NOTES	DIM . A
'A' WINDING PER E.S. 339				

NOTES:

1. SAME AS SD-4809-* EXCEPT WITH CAT EARS.
2. FOR 22-30 GAUGE WIRE & (1.57)/.062 DIA. INSULATION MAX.
3. THIS PART CONFORMS TO MOLEX PRODUCT SPEC. PS-99020-0088.
4. MATERIAL (0.20 ±0.01)/.008 ±.0004 THICK BRASS, ALLOY: 260 TENSILE: 85-95M PSI



ADDED END VIEW EC NO: E2007-0218 DRWN: JDENNEY 2006/09/15 CHKD: DMORLARTY 2006/09/15 APPR: JDENNEY 2006/10/11	DESCRIPTION REV K	QUALITY SYMBOLS ▽=0 ▽=0	GENERAL TOLERANCES (UNLESS SPECIFIED)		DIMENSION STYLE MM/IN		SCALE NTS	DESIGN UNITS METRIC	THIRD ANGLE PROJECTION	
			4 PLACES ± --- ± --- 3 PLACES ± --- ± .010 2 PLACES ± 0.25 ± .020 1 PLACE ± 0.51 ± --- ANGULAR ± --- °	DRAWN BY AOD CHECKED BY DMORLARTY APPROVED BY JDENNEY	DATE 1999/02/20 DATE 2004/10/18 DATE 2004/10/19	TITLE ANTI FISH HOOKING TERMINAL KK,(2.50)/.100 WITH CAT EARS			MOLEX MOLEX INCORPORATED	
DRAFT WHERE APPLICABLE MUST REMAIN WITHIN DIMENSIONS			SEE CHART		MATERIAL NO. DOCUMENT NO. SD-4809C-(***)*			THIS DRAWING CONTAINS INFORMATION THAT IS PROPRIETARY TO MOLEX INCORPORATED AND SHOULD NOT BE USED WITHOUT WRITTEN PERMISSION		