

**PLEASE CHECK WWW.MOLEX.COM FOR LATEST PART INFORMATION**

**Part Number:** [0760935002](#)

**Status:** **Active**

**Overview:** [SFP+ Stacked Multi-Port Connectors](#)

**Description:** Small Form-factor Pluggable Plus (SFP+) Stacked 2-by-5 Multi-Port Connector with 2 Inner Lightpipe Ports, Elastomeric Gasket, 200 Circuits, Tin (Sn) Tails

**Documents:**

[3D Model](#)

[Drawing \(PDF\)](#)

[Application Specification \(PDF\)](#)

[Test Summary \(PDF\)](#)

[Product Specification PS-75310-001 \(PDF\)](#)

[RoHS Certificate of Compliance \(PDF\)](#)

**Agency Certification**

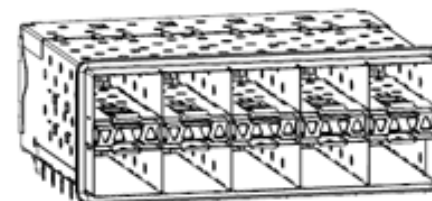
CSA LR19980  
UL E29179

**General**

Product Family I/O Connectors  
Series [76093](#)  
Application Module-to-Board  
Component Type Receptacle  
Overview [SFP+ Stacked Multi-Port Connectors](#)  
Product Name SFP Plus  
Type N/A

**Physical**

Boot Color N/A  
Circuits (Loaded) 200  
Circuits (maximum) 200  
Circuits Detail 200  
Color - Resin Black, Clear (Blue Tint)  
Durability (mating cycles max) 100  
Flammability 94V-0  
Gender Female  
Keying to Mating Part None  
Lock to Mating Part Yes  
Material - Metal High Performance Alloy (HPA)  
Material - Plating Mating Gold  
Material - Plating Termination Tin  
Material - Resin High Temperature Thermoplastic, Polycarbonate  
Number of Rows 2  
Orientation Right Angle  
PC Tail Length (in) 0.081 In  
PC Tail Length (mm) 2.07 mm  
PCB Locator Yes  
PCB Retention Yes  
PCB Thickness Recommended (in) 0.062 In  
PCB Thickness Recommended (mm) 1.57 mm  
Packaging Type Tray  
Panel Mount No  
Pitch - Mating Interface (in) 0.031 In  
Pitch - Mating Interface (mm) 0.80 mm  
Pitch - Term. Interface (in) 0.031 In  
Pitch - Term. Interface (mm) 0.80 mm  
Plating min: Mating (µin) 30.4  
Plating min: Mating (µm) 0.76  
Plating min: Termination (µin) 30.4



*image - Reference only*

Series

**EU RoHS**

**ELV and RoHS Compliant**

**REACH SVHC**

Not Reviewed

**Halogen-Free**

**Status**

**Not Reviewed**

**Need more information on product environmental compliance?**

Email [productcompliance@molex.com](mailto:productcompliance@molex.com)  
For a multiple part number RoHS Certificate of Compliance, [click here](#)

Please visit the [Contact Us](#) section for any non-product compliance questions.

**China RoHS**



**Search Parts in this Series**

[76093Series](#)

**Use With**

[0759510999](#) SFP Dust Plug,

**Application Tooling | FAQ**

*Tooling specifications and manuals are found by selecting the products below. Crimp Height Specifications are then contained in the Application Tooling Specification document.*

**Global**

Description	Product #
SFP Stacked Multi-Port Insertion Tool, 2 by 5	<a href="#">0622029980</a>
SFP Stacked Multi-Port Extraction Tool, 2 by 5	<a href="#">0622029990</a>

Plating min: Termination (µm)	0.76
Polarized to Mating Part	Yes
Polarized to PCB	Yes
Surface Mount Compatible (SMC)	No
Temperature Range - Operating	-40°C to +85°C
Termination Interface: Style	Through Hole - Compliant Pin
Waterproof / Dustproof	No

### **Electrical**

Current - Maximum per Contact	0.5A
Grounding to Panel	None
Shield Type	EMI Gasket
Shielded	Yes
Voltage - Maximum	120V AC (RMS)/DC

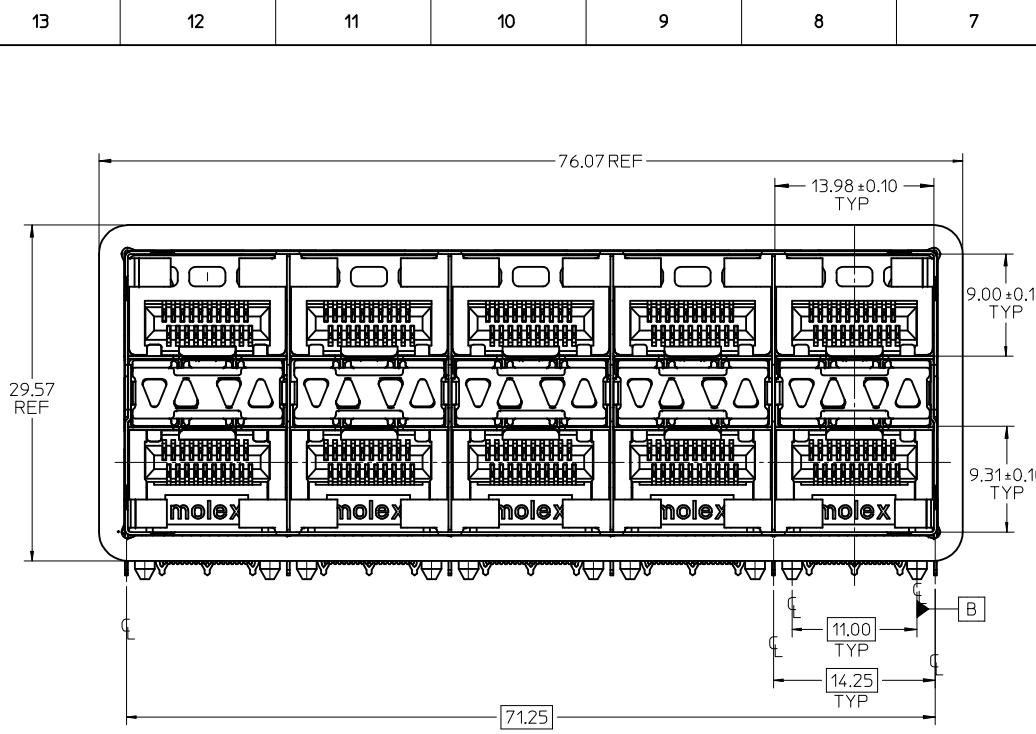
### **Material Info**

#### **Reference - Drawing Numbers**

Packaging Specification	PK-75733-001
Product Specification	PS-75310-001
Sales Drawing	SD-76093-001
Test Summary	TS-75310-001

This document was generated on 05/14/2010

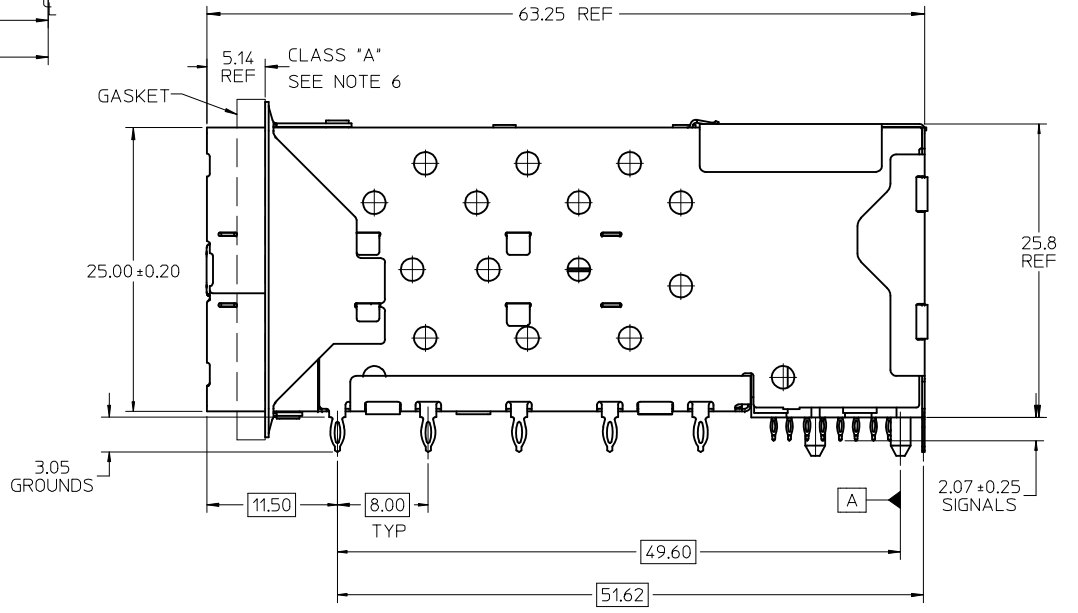
**PLEASE CHECK [WWW.MOLEX.COM](http://WWW.MOLEX.COM) FOR LATEST PART INFORMATION**



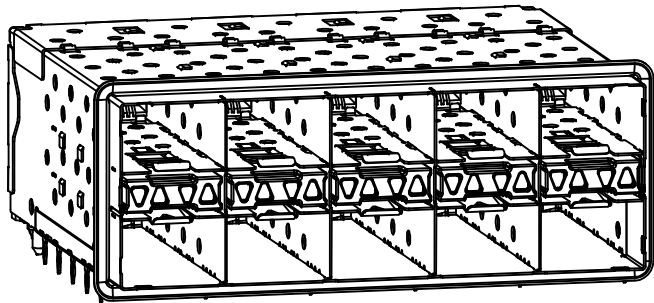
PART NUMBER	DESCRIPTION	VIEW	COMPLIANT TAIL PLATING
760930001	4 LIGHT PORTS	SEE PG 2	TIN / LEAD
760930002	INNER 2 PORTS	SEE PG 2	TIN / LEAD
760930003	OUTER 2 PORTS	SEE PG 2	TIN / LEAD
760935001	4 LIGHT PORTS	SEE PG 2	TIN
760935002	INNER 2 PORTS	SEE PG 2	TIN
760935003	OUTER 2 PORTS	SEE PG 2	TIN

**NOTES:**

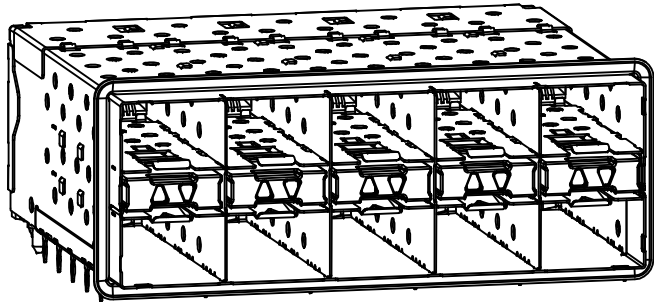
- MATERIAL:**
  - CAGE: NICKEL SILVER, THICKNESS: 0.25mm
  - GASKET FLANGE: STAINLESS STEEL
  - EMI GASKET: CONDUCTIVE POLYMER
  - CONNECTOR HOUSING: GLASS FILLED THERMOPLASTIC, UL: 94 V-0, COLOR: BLACK
  - OVERMOLD TERMINAL HOUSING: GLASS FILLED THERMOPLASTIC, UL 94 V-0, COLOR: BLACK
  - TERMINALS: BRASS
  - LIGHT PIPES: POLYCARBONATE, UL 94 V-0, COLOR: CLEAR
  - LIGHT PIPE HOUSING: ZINC
- FINISH**
  - TERMINALS: CONTACT AREA: 0.76 MICRONS MIN. HARD GOLD OVER 1.27 MICRONS MIN. NICKEL.
  - COMPLIANT TAIL - TIN/LEAD OPTION: 0.76 - 1.52 MICRONS 90/10 TIN/LEAD OVER 0.76 - 1.52 MICRONS NICKEL
  - COMPLIANT TAIL - TIN OPTION: 0.76 - 1.52 MICRONS TIN OVER 0.76 - 1.52 MICRONS NICKEL
  - LIGHT PIPE HOUSING: 150 MICRONS NICKEL OVER 150 MICRONS COPPER
- REFER TO PS-75310-001 PRODUCT SPEC FOR ALL ELECTRICAL, MECHANICAL AND ENVIRONMENTAL SPECIFICATIONS.
- LIGHT PIPE PAD LAYOUT IS FOR 0805 LOW-PROFILE LED PACKAGE, FOR OTHER RECOMMENDED LAYOUTS REFER TO MOLEX'S REPORT TS-75310-001
- REFER TO PK-75733-001 FOR ALL PACKAGING SPECIFICATIONS.
- ALL EXTERIOR SURFACES TO BE CLASS 'B' SURFACES EXCEPT THE UNDER SIDE OF THE CAGE WHERE THE PCB WOULD BE LOCATED AND AS NOTED. THE SURFACES TO CONFORM TO THE MOLEX COSMETIC DOC PS-45499-002.



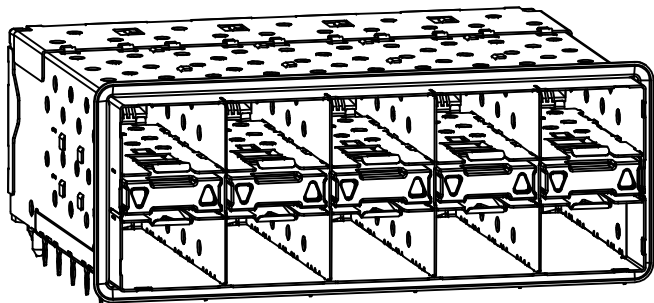
<b>ADD KEEP OUT ZONES</b> EC NO: UCP2009-1356 DRWN:MSIBARRA 2009/08/04 CHKD:BBARKER 2009/08/06 APPR:SMILLER 2009/08/06	DESCRIPTION REV	<b>QUALITY SYMBOLS</b> ▽=0 ▽=0	<b>GENERAL TOLERANCES (UNLESS SPECIFIED)</b> <table border="1"> <thead> <tr> <th></th> <th>mm</th> <th>INCH</th> </tr> </thead> <tbody> <tr> <td>4 PLACES ±</td> <td>---</td> <td>±---</td> </tr> <tr> <td>3 PLACES ±</td> <td>---</td> <td>±---</td> </tr> <tr> <td>2 PLACES ±</td> <td>0.13</td> <td>±---</td> </tr> <tr> <td>1 PLACE ±</td> <td>0.25</td> <td>±---</td> </tr> </tbody> </table>		mm	INCH	4 PLACES ±	---	±---	3 PLACES ±	---	±---	2 PLACES ±	0.13	±---	1 PLACE ±	0.25	±---	<b>DIMENSION STYLE</b> <b>MM ONLY</b>	<b>SCALE</b> <b>3:1</b>	<b>DESIGN UNITS</b> <b>METRIC</b>	<b>THIRD ANGLE PROJECTION</b>
			mm	INCH																		
		4 PLACES ±	---	±---																		
		3 PLACES ±	---	±---																		
2 PLACES ±	0.13	±---																				
1 PLACE ±	0.25	±---																				
<b>DRAFT WHERE APPLICABLE MUST REMAIN WITHIN DIMENSIONS</b>			<b>SEE TABLE</b>	<b>TITLE</b> <b>STACKED SFP+ 2X5 ASS'Y WITH ELASTOMERIC GASKET AND LIGHTPIPES</b>			<b>SHEET NO.</b> <b>1 OF 4</b>															
<b>MATERIAL NO.</b> <b>SD-76093-001</b>			<b>MOLEX INCORPORATED</b>			<b>DOCUMENT NO.</b> <b>SD-76093-001</b>																
<b>THIS DRAWING CONTAINS INFORMATION THAT IS PROPRIETARY TO MOLEX INCORPORATED AND SHOULD NOT BE USED WITHOUT WRITTEN PERMISSION</b>																						



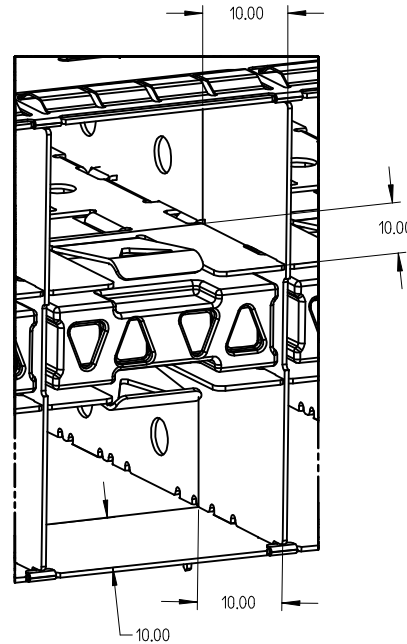
760930001 AND 760935001  
WITH INNER AND OUTER LIGHT PIPES



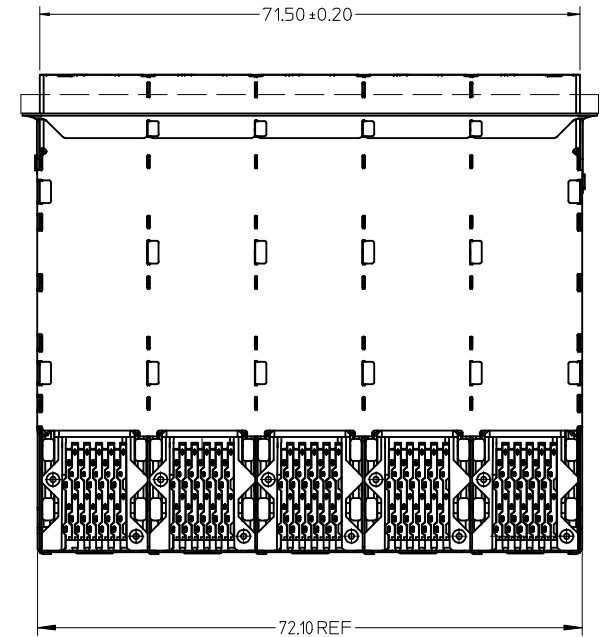
760930002 AND 760935002  
WITH INNER LIGHT PIPES



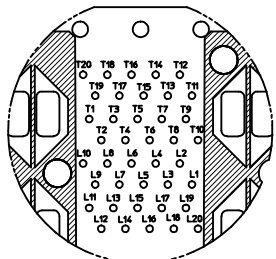
760930003 AND 760935003  
WITH OUTER LIGHT PIPES



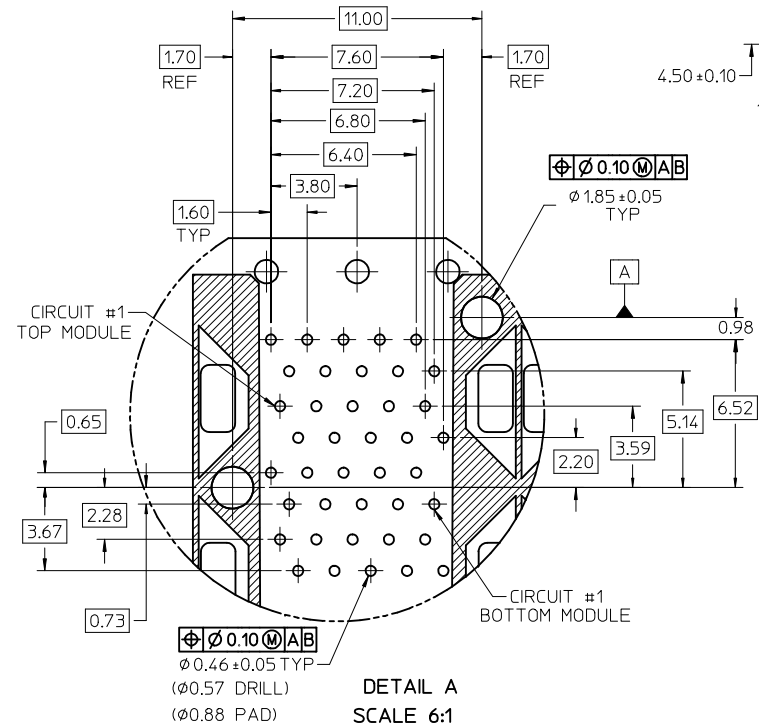
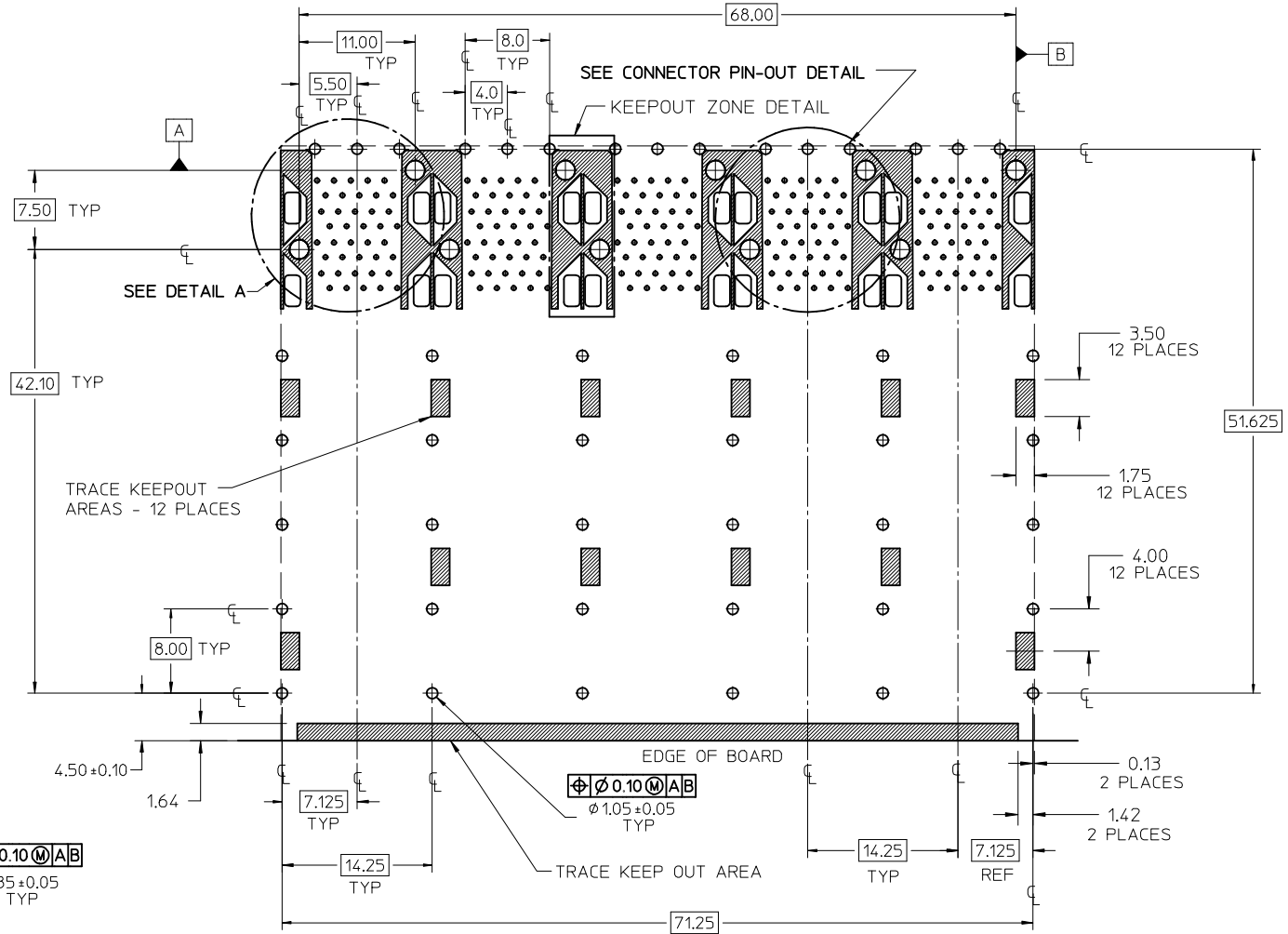
10.00mm AREA SETBACK IN CAGE IS TO BE FREE OF ANY HOLES, DIMPLES, SEAMS OR ANY OTHER FEATURE.  
(4 SIDES PER MODULE PORT)



SEE SHEET 1 EC NO: UCP2009-1356 DRWN:MS BARRA 2009/08/04 CHKD:BBARKER 2009/08/06 APPR:SMILLER 2009/08/06	QUALITY SYMBOLS ▽=0 ▽=0	GENERAL TOLERANCES (UNLESS SPECIFIED)	DIMENSION STYLE MM ONLY	SCALE 2:1	DESIGN UNITS METRIC	THIRD ANGLE PROJECTION
	REV	DESCRIPTION	mm INCH	DRAWN BY JLONG	DATE 01-18-2007	TITLE STACKED SFP+ 2X5 ASS'Y WITH ELASTOMERIC GASKET AND LIGHTPIPES
		4 PLACES ± --- ± ---		CHECKED BY MSANDBERG	DATE 01-18-2007	MOLEX INCORPORATED
		3 PLACES ± --- ± ---		APPROVED BY RNELSON	DATE 01-18-2007	
		2 PLACES ± 0.13 ± ---		MATERIAL NO.	DOCUMENT NO.	SHEET NO. 2 OF 4
		1 PLACE ± 0.25 ± ---		SIZE C	SEE TABLE	SD-76093-001
		ANGULAR ± 5 °		THIS DRAWING CONTAINS INFORMATION THAT IS PROPRIETARY TO MOLEX INCORPORATED AND SHOULD NOT BE USED WITHOUT WRITTEN PERMISSION		
		DRAFT WHERE APPLICABLE MUST REMAIN WITHIN DIMENSIONS				



CONNECTOR PIN-OUT DETAIL  
SCALE 4:1

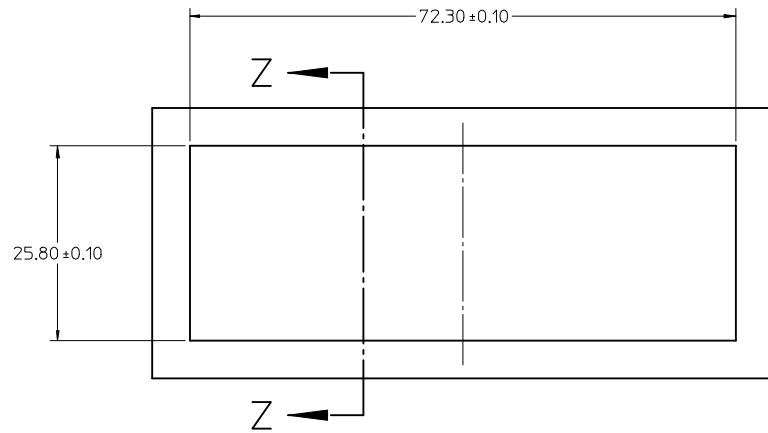


DETAIL A  
SCALE 6:1

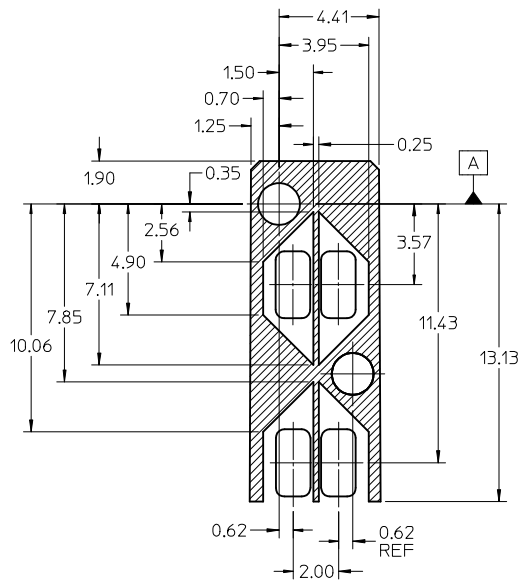
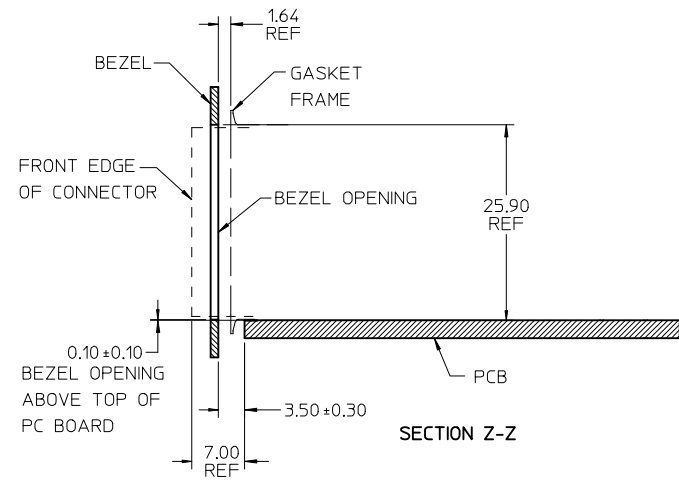
RECOMMENDED PCB LAYOUT - COMPONENT SIDE  
RECOMMENDED PCB THICKNESS - 2.36 MM (.093 INCH)

THE ENTIRE AREA OF THE CONNECTOR FOOTPRINT  
TO BE CONSIDERED THE KEEP OUT AREA FOR COMPONENTS  
THIS AREA IS INDICATED BY THE DASHED LINE

<b>ADD KEEP OUT ZONES</b> EC NO: UCP2009-1356 DRWN:MS BARRA 2009/08/04 CHKD:HBARKER 2009/08/06 APPR:SMILLER 2009/08/06 REV DESCRIPTION	QUALITY SYMBOLS	GENERAL TOLERANCES (UNLESS SPECIFIED) <table border="1"> <tr> <th></th> <th>mm</th> <th>INCH</th> </tr> <tr> <td>4 PLACES</td> <td>± ---</td> <td>± ---</td> </tr> <tr> <td>3 PLACES</td> <td>± ---</td> <td>± ---</td> </tr> <tr> <td>2 PLACES</td> <td>± 0.13</td> <td>± ---</td> </tr> <tr> <td>1 PLACE</td> <td>± 0.25</td> <td>± ---</td> </tr> </table>		mm	INCH	4 PLACES	± ---	± ---	3 PLACES	± ---	± ---	2 PLACES	± 0.13	± ---	1 PLACE	± 0.25	± ---	DIMENSION STYLE <b>MM ONLY</b> DRAWN BY DATE JLONG 01-18-2007 CHECKED BY DATE MSANDBERG 01-18-2007 APPROVED BY DATE RNELSON 01-18-2007	SCALE <b>3:1</b> DESIGN UNITS <b>METRIC</b>	THIRD ANGLE PROJECTION
			mm	INCH																
	4 PLACES	± ---	± ---																	
	3 PLACES	± ---	± ---																	
2 PLACES	± 0.13	± ---																		
1 PLACE	± 0.25	± ---																		
MATERIAL NO. <b>SEE TABLE</b>	DOCUMENT NO. <b>SD-76093-001</b>	SHEET NO. <b>3 OF 4</b>																		
DRAFT WHERE APPLICABLE MUST REMAIN WITHIN DIMENSIONS	SIZE <b>C</b>	THIS DRAWING CONTAINS INFORMATION THAT IS PROPRIETARY TO MOLEX INCORPORATED AND SHOULD NOT BE USED WITHOUT WRITTEN PERMISSION																		
MOLEX <b>MOLEX INCORPORATED</b>																				



BEZEL CUTOUT CENTER SPACING DETAIL  
BEZEL THICKNESS 0.8-2.6



KEEPOUT ZONE DETAIL  
SCALE 6:1

SEE SHEET 1 EC NO: UCP2009-1356 DRAWN: IBARRA 2009/08/04 CHKD: BARKER 2009/08/06 APPR: MILLER 2009/08/06	QUALITY SYMBOLS ▽=0 ▽=0	GENERAL TOLERANCES (UNLESS SPECIFIED)		DIMENSION STYLE <b>MM ONLY</b>	SCALE <b>2:1</b>	DESIGN UNITS <b>METRIC</b>	THIRD ANGLE PROJECTION
		4 PLACES ± --- ± ---	3 PLACES ± --- ± ---	DRAWN BY JLONG	DATE 01-18-2007	TITLE <b>STACKED SFP+ 2X5 ASS'Y WITH ELASTOMERIC GASKET AND LIGHTPIPES</b>	
REV	DESCRIPTION	2 PLACES ± 0.13 ± ---	1 PLACE ± 0.25 ± ---	CHECKED BY MSANDBERG	DATE 01-18-2007	MOLEX INCORPORATED	SHEET NO. 4 OF 4
		ANGULAR ± 5 °		APPROVED BY RNELSON	DATE 01-18-2007		
D		DRAFT WHERE APPLICABLE MUST REMAIN WITHIN DIMENSIONS		MATERIAL NO. <b>SEE TABLE</b>	DOCUMENT NO. <b>SD-76093-001</b>		
				SIZE C	THIS DRAWING CONTAINS INFORMATION THAT IS PROPRIETARY TO MOLEX INCORPORATED AND SHOULD NOT BE USED WITHOUT WRITTEN PERMISSION		