

**PLEASE CHECK WWW.MOLEX.COM FOR LATEST PART INFORMATION**

**Part Number:** [0554513470](#)  
**Status:** **Active**  
**Description:** 1.25mm (.049") Pitch Mi II™ System Wire-to-Board Header, Dual Row, Vertical, Lead-free, 34 Circuits

**Documents:**

[3D Model](#) [Product Specification PS-54596-019 \(PDF\)](#)  
[Drawing \(PDF\)](#) [RoHS Certificate of Compliance \(PDF\)](#)

**General**

Product Family	PCB Headers
Series	<a href="#">55451</a>
Application	Wire-to-Board
Product Name	Mini Mi II™

**Physical**

Breakaway	No
Circuits (Loaded)	34
Color - Resin	Natural
Durability (mating cycles max)	30
First Mate / Last Break	No
Glow-Wire Compliant	No
Guide to Mating Part	No
Keying to Mating Part	Yes
Lock to Mating Part	Yes
Material - Plating Mating	Tin
Material - Plating Termination	Tin
Material - Resin	Nylon
Number of Rows	2
Orientation	Vertical
PC Tail Length (in)	0.118 In
PC Tail Length (mm)	3.00 mm
PCB Locator	Yes
PCB Retention	Yes
PCB Thickness Recommended (in)	0.062 In
PCB Thickness Recommended (mm)	1.60 mm
Packaging Type	Tray
Pitch - Mating Interface (in)	0.049 In
Pitch - Mating Interface (mm)	1.25 mm
Shrouded	Fully
Stackable	No
Surface Mount Compatible (SMC)	No
Temperature Range - Operating	-40°C to +105°C
Termination Interface: Style	Through Hole

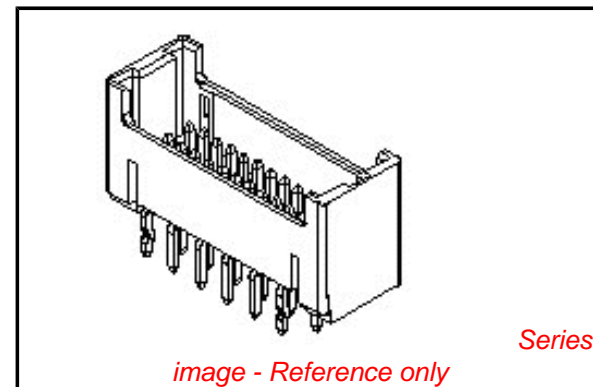
**Electrical**

Current - Maximum per Contact	1.5A
Voltage - Maximum	100V

**Material Info**

**Reference - Drawing Numbers**

Packaging Specification	SPK-55451-001
Product Specification	PS-54596-019
Sales Drawing	SD-55451-006



**EU RoHS**

**ELV and RoHS Compliant**  
**REACH SVHC**  
 Not Reviewed  
**Halogen-Free Status**  
 Not Reviewed

**China RoHS**



**Need more information on product environmental compliance?**

Email [productcompliance@molex.com](mailto:productcompliance@molex.com)  
 For a multiple part number RoHS Certificate of Compliance, [click here](#)

Please visit the [Contact Us](#) section for any non-product compliance questions.

**Search Parts in this Series**

[55451Series](#)

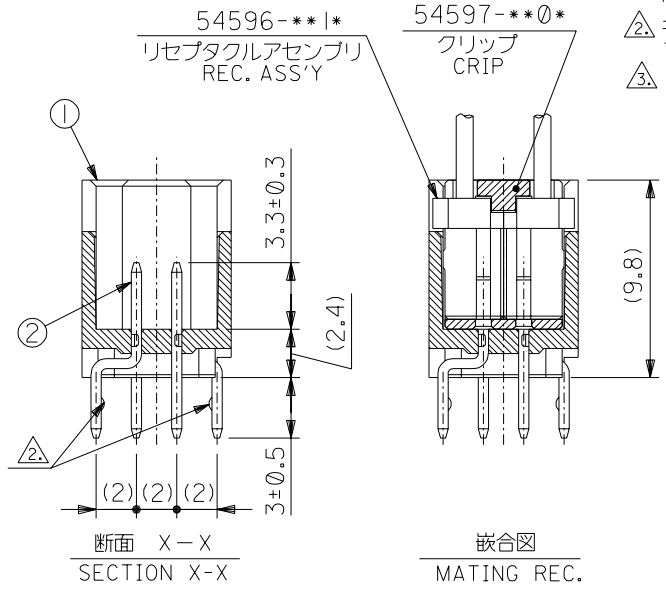
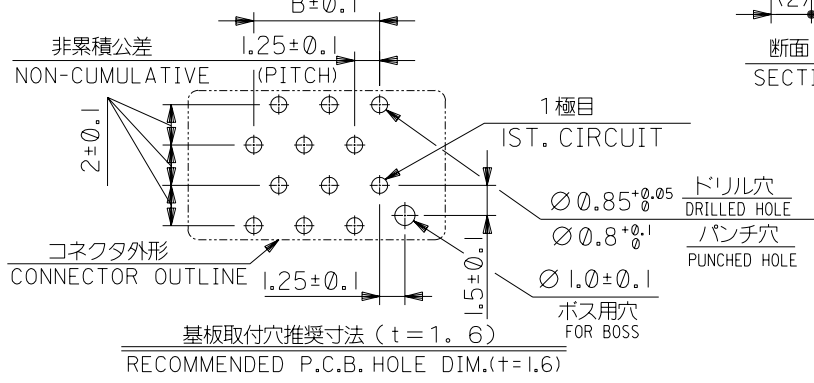
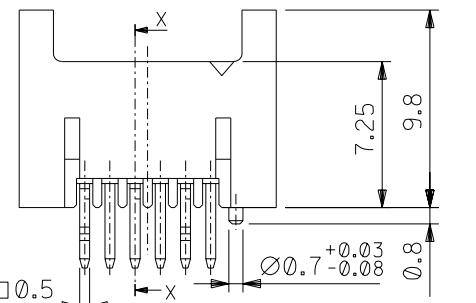
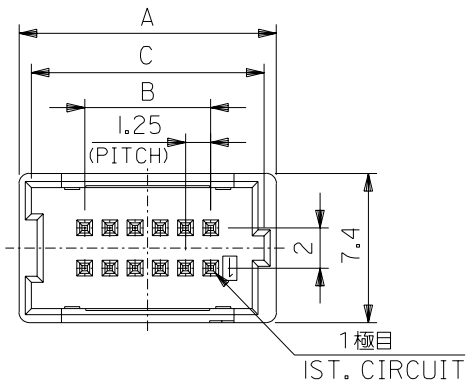
**Mates With**

[54596 IDT Receptacle Housing](#)

This document was generated on 05/27/2010

**PLEASE CHECK [WWW.MOLEX.COM](http://WWW.MOLEX.COM) FOR LATEST PART INFORMATION**

DWG. NO. SD-55451-006



嵌合図 MATING REC.

番号 NO.	名称 NAME	原料 MATERIAL	数量 QT'Y	仕上げ FINISH
①	ウエハー WEFAR	ナイロン NYLON	1	UL94V-0
②	ピン PIN	黄銅 BRASS	N	全体錫メッキ PRE-TINNED

注)NOTES

- 1. 原料および仕上げ: 表参照 MATERIAL AND FINISH : SEE CHART
- 2. キングは、両サイド4ピンに適用。(4極品までは、全極に適用) TO BE APPLICABLE 4 PIN OF BOTH SIDE.
- 3. 製品番号 MATERIAL NO. 55451-\*\*\*7\*

極数 CIRCUIT SIZE (10 ~ 40)  
 メッキ仕様: 無鉛 PLATING: LEAD FREE  
 色 COLOR 0: 自然色 NATURAL

29.05	23.75	30.25	40	55451-407*
27.8	22.5	29	38	-387*
26.55	21.25	27.75	36	-367*
25.3	20	26.5	34	-347*
24.05	18.75	25.25	32	-327*
22.8	17.5	24	30	-307*
21.55	16.25	22.75	28	-287*
20.3	15	21.5	26	-267*
19.05	13.75	20.25	24	-247*
17.8	12.5	19	22	-227*
16.55	11.25	17.75	20	-207*
15.3	10	16.5	18	-187*
14.05	8.75	15.25	16	-167*
12.8	7.5	14	14	-147*
11.55	6.25	12.75	12	-127*
10.3	5	11.5	10	55451-107*
C	B	A	極数 CIRCUIT SIZE	製品番号 MATERIAL NO.

無鉛 LEAD FREE

DO NOT SCALE DRAWING

EC NO. DRAWN: CHK'g: APPR:	EC NO. DRAWN: CHK'g: APPR:	EC NO. DRAWN: CHK'g: APPR:	EC NO. DRAWN: CHK'g: APPR:	EC NO. DRAWN: CHK'g: APPR:	新規作成 RELEASED EC NO. J2003-2786 DRAWN: YOSHIDA 03/05/01 CHK'g: M.YAGI APPR: YO.IITO	DESCRIPTION	MATERIAL 材料 SEE CHART	FINISH 仕上げ SEE CHART	WIRE RANGE 適用線径範囲	INS. RANGE 被覆外径	GENERAL TOLERANCES: (UNLESS SPECIFIED) 一般公差 10 UNDER 未満 ±0.2 10 OVER 以上 30 UNDER 未満 ±0.25 30 OVER 以上 ±0.3	SCALE 4-1 DESIGN UNITS <input checked="" type="checkbox"/> mm <input type="checkbox"/> INCH	THIRD ANGLE PROJECTION	TITLE: Mini MiII 2-ROW WAFER ASS'Y (Sn)	SHT REV
											DRAWN BY & DATE N. YOSHIDA 03/02/12				
											CHECKED BY & DATE Y. Yagi				
											APPROVED BY & DATE Y. Ito				
											CAD FILENAME 55451006.S01	MATERIAL NO. SEE CHART	DRAWING NO. SD-55451-006	SHEET NO. 1 OF 1	
											THIS DRAWING CONTAINS INFORMATION THAT IS PROPRIETARY TO MOLEX INCORPORATED AND SHOULD NOT BE USED WITHOUT WRITTEN PERMISSION.				SIZE B