

PLEASE CHECK WWW.MOLEX.COM FOR LATEST PART INFORMATION

Part Number: [0511120230](#)
Status: **Active**
Description: 2.50mm (.098") Pitch Wire-to-Wire Plug Housing, With Optional Panel Mount, Panel Mount, 2 Circuits

Documents:

[3D Model](#) [Product Specification PS-51111-001 \(PDF\)](#)
[Drawing \(PDF\)](#) [RoHS Certificate of Compliance \(PDF\)](#)

Agency Certification

CSA LR19980
 UL E29179

General

Product Family Crimp Housings
 Series [51112](#)
 Product Name N/A

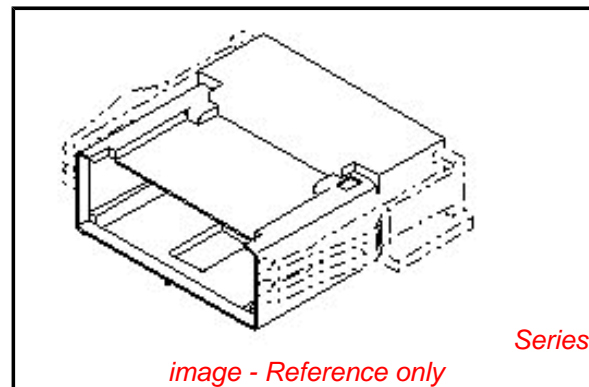
Physical

Circuits (maximum) 2
 Color - Resin Natural
 Flammability 94V-0
 Gender Male
 Glow-Wire Compliant No
 Material - Resin Polyester
 Number of Rows 1
 Packaging Type Bag
 Panel Mount Yes
 Pitch - Mating Interface (in) 0.098 In
 Pitch - Mating Interface (mm) 2.50 mm
 Stackable No
 Temperature Range - Operating -40°C to +105°C

Material Info

Reference - Drawing Numbers

Product Specification PS-51111-001
 Sales Drawing SD-51112-005



EU RoHS

**ELV and RoHS
 Compliant**
**REACH SVHC
 Contains SVHC: No**
**Halogen-Free
 Status**
Not Reviewed

China RoHS



**Need more information on product
 environmental compliance?**

Email productcompliance@molex.com
 For a multiple part number RoHS Certificate of
 Compliance, [click here](#)

Please visit the [Contact Us](#) section for any
 non-product compliance questions.

Search Parts in this Series

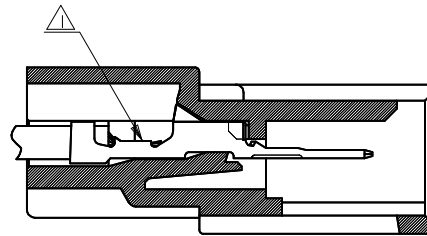
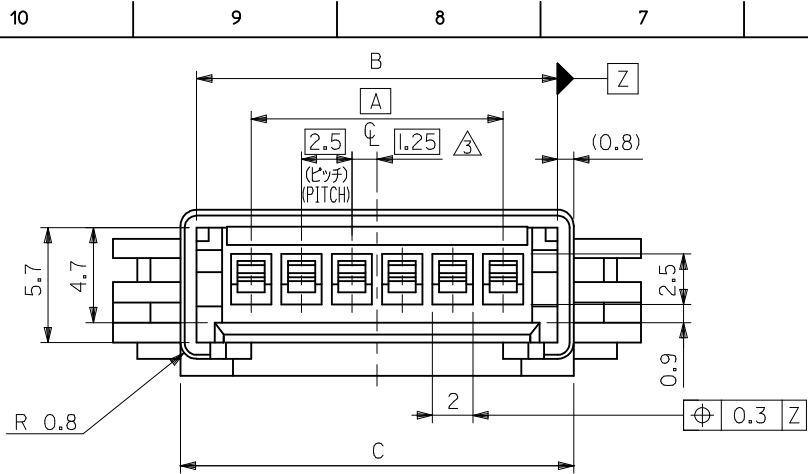
[51112Series](#)

Mates With

[51111](#) , [51111wr](#)

Use With

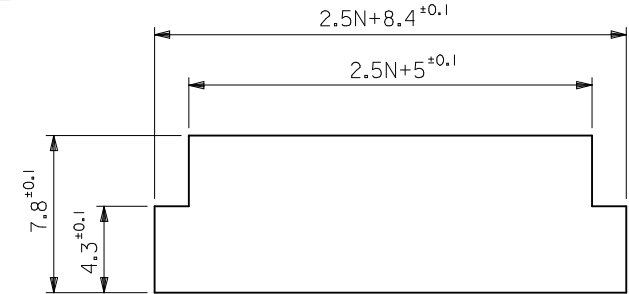
[50398](#)



ターミナル装着状態図
TERMINAL ASSEMBLY DRAWING

注記 NOTES

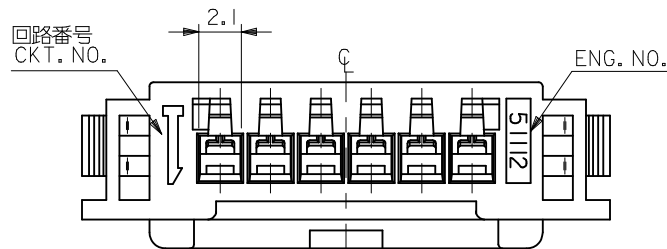
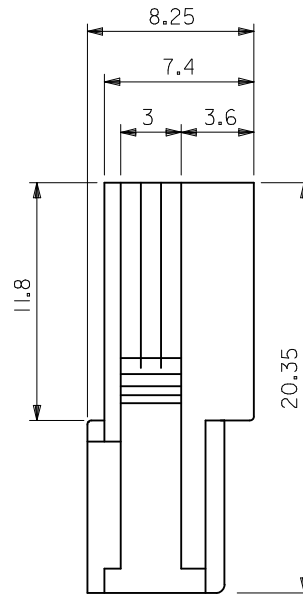
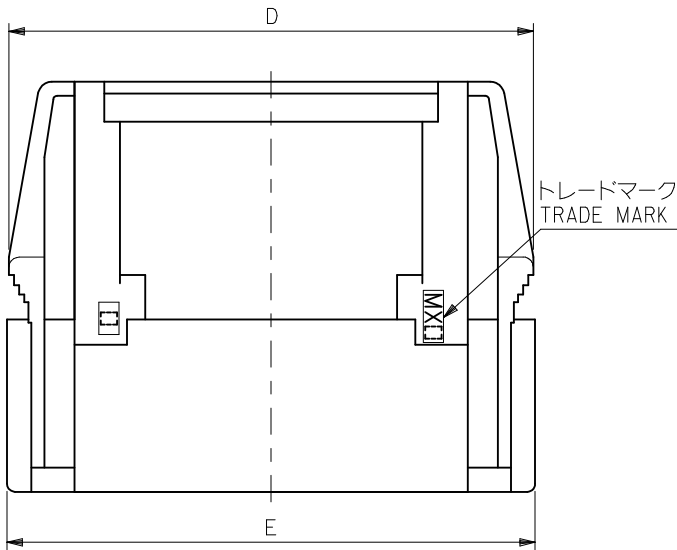
- △ 適合ターミナル：50398シリーズ
APPLICABLE TERMINAL：50398 SERIES
- 2. 嵌合相手：51111シリーズ
MATE WITH：51111 SERIES
- △ 偶数極の製品に適用。
APPLY EVEN CIRCUIT PRODUCTS.
- 4. ハウジングは、パネル打ち抜き側から挿入すること。
INSERT HOUSING FROM PUNCH SIDE OF PANEL.



参考パネルスロット寸法
(パネル厚：0.8~2)

PANEL SLOT DIM. (REF.)
(THICKNESS：0.8 - 2)

48.7	48.5	42	40.4	35	51112-1530	15
43.7	43.5	37	35.4	30	-1330	13
41.2	41	34.5	32.9	27.5	-1230	12
38.7	38.5	32	30.4	25	-1130	11
36.2	36	29.5	27.9	22.5	-1030	10
33.7	33.5	27	25.4	20	-0930	9
31.2	31	24.5	22.9	17.5	-0830	8
28.7	28.5	22	20.4	15	-0730	7
26.2	26	19.5	17.9	12.5	-0630	6
23.7	23.5	17	15.4	10	-0530	5
21.2	21	14.5	12.9	7.5	-0430	4
18.7	18.5	12	10.4	5	-0330	3
16.2	16	9.5	7.9	2.5	51112-0230	2
E	D	C	B	A	ENG. NO.	極数 NO. OF CKT.



材料
MATERIAL PBTP, UL94V-0
(白色 WHITE)

REVISED EC NO.: J2009-1394 DRWN: YOSHIDAM 2008/12/18 CHKD: THARUYAMA 2008/12/18 APPR: NUKITA 2009/01/15	GENERAL TOLERANCES (UNLESS SPECIFIED)		DIMENSION STYLE	SCALE	DESIGN UNITS	THIRD ANGLE PROJECTION 2.5 W/W CONN PLUG HSG FOR PANEL MOUNT MOLEX INCORPORATED SD-5112-005 SHEET NO. 1 OF 1
	10 UNDER ±0.2		MM ONLY	4:1	METRIC	
	10 OVER 30 UNDER ±0.25		DRAWN BY	DATE	TITLE	
	30 OVER ±0.3		K. TOJO	'93/09/07	2.5 W/W CONN PLUG HSG FOR PANEL MOUNT	
B REV	ANGULAR ±3 °		CHECKED BY	DATE	MOLEX DOCUMENT NO. SD-5112-005	
	DRAFT WHERE APPLICABLE MUST REMAIN WITHIN DIMENSIONS		S. KUNISHI	'94/06/22		
	SIZE		APPROVED BY	DATE		
	A3		M. FUKUSHIMA	'94/06/22		
		THIS DRAWING CONTAINS INFORMATION THAT IS PROPRIETARY TO MOLEX INCORPORATED AND SHOULD NOT BE USED WITHOUT WRITTEN PERMISSION				