

PLEASE CHECK WWW.MOLEX.COM FOR LATEST PART INFORMATION

Part Number: [0510893405](#)
Status: **Active**
Description: 2.00mm (.079") Pitch Mi II™ System Wire-to-Board Crimp Housing, Dual Row, 34 Circuits

Documents:

| | |
|----------------------------------------------------------|----------------------------------------------------------|
| 3D Model | Product Specification PS-51089-005 (PDF) |
| Drawing (PDF) | RoHS Certificate of Compliance (PDF) |
| Product Specification PS-51089-001 (PDF) | |

Agency Certification

| | |
|-----|---------|
| CSA | LR19980 |
| UL | E29179 |

General

| | |
|----------------|-----------------------|
| Product Family | Crimp Housings |
| Series | 51089 |
| Product Name | Mi II™ |

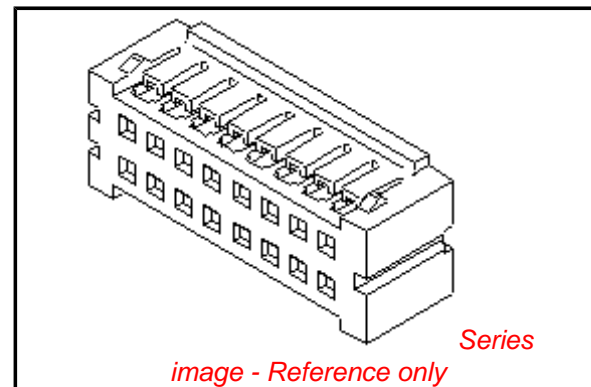
Physical

| | |
|-------------------------------|-----------------|
| Circuits (maximum) | 34 |
| Color - Resin | Gray |
| Flammability | 94V-0 |
| Gender | Female |
| Glow-Wire Compliant | No |
| Material - Resin | Polyester |
| Number of Rows | 2 |
| Packaging Type | Bag |
| Panel Mount | No |
| Pitch - Mating Interface (in) | 0.079 In |
| Pitch - Mating Interface (mm) | 2.00 mm |
| Stackable | No |
| Temperature Range - Operating | -40°C to +105°C |

Material Info

Reference - Drawing Numbers

| | |
|-----------------------|----------------------------------------------------------|
| Product Specification | PS-51089-001, PS-51089-005, RPS-51089-003, RPS-51089-005 |
| Sales Drawing | SD-51089-**05 |



EU RoHS

ELV and RoHS Compliant
REACH SVHC Contains SVHC: No
Halogen-Free Status

China RoHS



Not Halogen-Free
Need more information on product environmental compliance?

Email productcompliance@molex.com
 For a multiple part number RoHS Certificate of Compliance, [click here](#)

Please visit the [Contact Us](#) section for any non-product compliance questions.

Search Parts in this Series

[51089Series](#)

Mates With

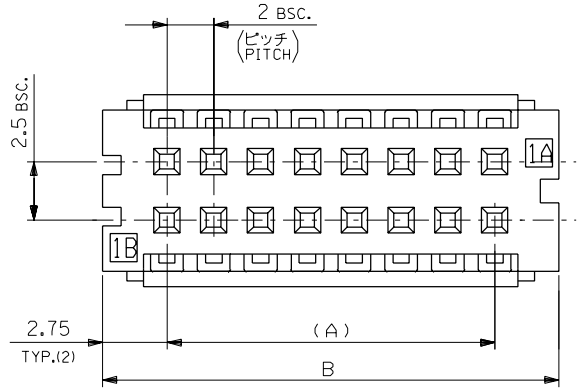
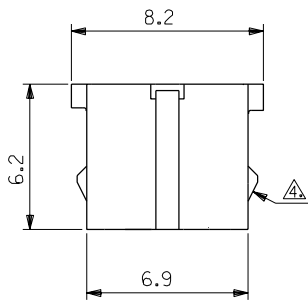
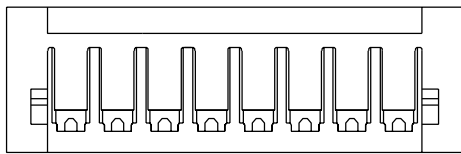
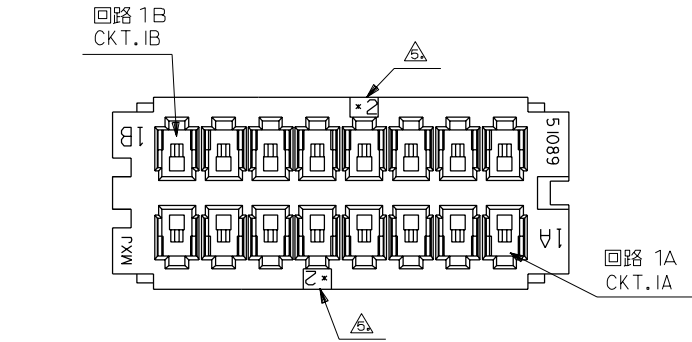
[53313](#) , [53314](#)

Use With

[50212](#) Crimp Terminals

ENG. NO. SD-51089-***05
EDP NO.

MM DIMENSIONS IN METRIC DO NOT SCALE DRAWING



注記 NOTES

- 材料: MATERIALS:
ハウジング: ガラス入りポリエステル 灰色
HOUSING: G.F. POLYESTER, UL94V-0, GRAY
ターミナル: 燐青銅
TERMINAL: PHOSPHOR BRONZE, MOLEX P/N 50212-8*00
 - 仕上げ: 鍍メッキ
FINISH: PRE-PLATED TIN - 0.9μm MIN.
 - 適合ヘッダー: (全極数)
MATING HEADERS: 53313-***15 (ALL SIZES) (30数以上)
53314-***15 (OVER 28 CKT.S)
- △ LOCK部: 表参照
LOCK: REFER TO CHART
- *2は5の倍数の回路番号を表示する。
数える方向は回路表示 1 A, 1 B側からとする。
*2 DENOTES CKT. NO. MULTIPLES OF 5,
COUNTED FROM 1A, 1B.

| | | | | |
|-----------------------|------|------------|------------|------|
| 4 無し NONE ↓ | 63.5 | 58 | 51089-6005 | 60 |
| | 53.5 | 48 | -5005 | 50 |
| | 43.5 | 38 | -4005 | 40 |
| | 37.5 | 32 | -3405 | 34 |
| 4 有り PLC.S ↓ | 33.5 | 28 | -3005 | 30 |
| | 31.5 | 26 | -2805 | 28 |
| | 29.5 | 24 | -2605 | 26 |
| | 27.5 | 22 | -2405 | 24 |
| | 25.5 | 20 | -2205 | 22 |
| | 23.5 | 18 | -2005 | 20 |
| | 21.5 | 16 | -1805 | 18 |
| | 19.5 | 14 | -1605 | 16 |
| | 17.5 | 12 | -1405 | 14 |
| | 15.5 | 10 | -1205 | 12 |
| 13.5 | 8 | 51089-1005 | 10 | |
| LOCK部 | B | (A) | ENG. NO. | CKT. |

| | | | | | |
|---------------------------|--|-----------------|---------|-------------------------------------------|--|
| 材料 MATERIAL | | 注記参照 SEE NOTES | | MOLEX MOLEX-JAPAN CO.,LTD. 日本モレックス株式会社 | |
| A RELEASED | | GMS H.1 | 92/2/21 | EDP. NO. // | |
| 2 REVISIONS | | GMS H.1 | 91/7/30 | ENG. NO. SD-51089-***05 | |
| 30以上 OVER | | GMS H.1 | 91/3/5 | REV A | |
| 10以上 30未満 UNDER | | GMS H.1 | 90/9/20 | TITLE 名称 | |
| 10未満 UNDER | | DR. LTR | DATE | 2mm W-to-B DUAL ROW | |
| 一般公差 GENERAL TOLERANCES | | REVISION RECORD | | CRIMP RECEPTACLE HOUSING | |
| REVISE ONLY ON CAD SYSTEM | | | | | |

THIS DRAWING CONTAINS INFORMATION THAT IS PROPRIETARY TO MOLEX(JAPAN) AND SHOULD NOT BE USED WITHOUT WRITTEN PERMISSION
本図面は日本モレックス(株)の所有する情報を含むもので 当社の許可なく複製を禁止する。

MXJ-8