

PLEASE CHECK WWW.MOLEX.COM FOR LATEST PART INFORMATION

Part Number: [0443001000](#)
Status: **Active**
Overview: [microfit_30](#)
Description: 3.00mm (.118") Micro-Fit 3.0 BMI™ Plug Housing, Dual Row, Panel Mount, 10 Circuits

Documents:

[3D Model](#) [Product Specification PS-44300-001 \(PDF\)](#)
[Drawing \(PDF\)](#) [RoHS Certificate of Compliance \(PDF\)](#)

Agency Certification

| | |
|-----|-----------|
| CSA | LR19980 |
| TUV | R72081037 |
| UL | E29179 |

General

| | |
|-----------------------------|-----------------------------|
| Product Family | Crimp Housings |
| Series | 44300 |
| Overview | microfit_30 |
| Product Literature Order No | USA-106 |
| Product Name | Micro-Fit 3.0 BMI™ |

Physical

| | |
|-------------------------------|-----------------|
| Circuits (maximum) | 10 |
| Color - Resin | Black |
| Flammability | 94V-0 |
| Gender | Male |
| Glow-Wire Compliant | No |
| Material - Resin | Polyester |
| Number of Rows | 2 |
| Packaging Type | Bag |
| Panel Mount | Yes |
| Pitch - Mating Interface (in) | 0.118 In |
| Pitch - Mating Interface (mm) | 3.00 mm |
| Stackable | No |
| Temperature Range - Operating | -40°C to +105°C |

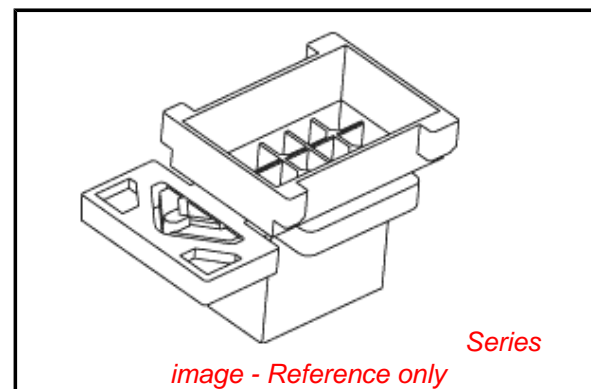
Electrical

| | |
|-------------------------------|----|
| Current - Maximum per Contact | 5A |
|-------------------------------|----|

Material Info

Reference - Drawing Numbers

| | |
|-------------------------|-----------------------------|
| Packaging Specification | PK-44300-001 |
| Product Specification | PS-44300-001, RPS-44300-001 |
| Sales Drawing | SD-44300-001 |



EU RoHS

ELV and RoHS Compliant
REACH SVHC
 Not Reviewed
Halogen-Free Status

China RoHS



Not Halogen-Free
Need more information on product environmental compliance?

Email productcompliance@molex.com
 For a multiple part number RoHS Certificate of Compliance, [click here](#)

Please visit the [Contact Us](#) section for any non-product compliance questions.

Search Parts in this Series

[44300Series](#)

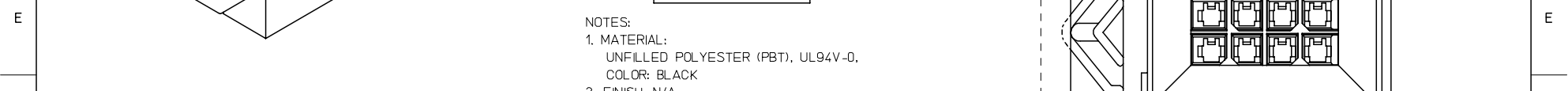
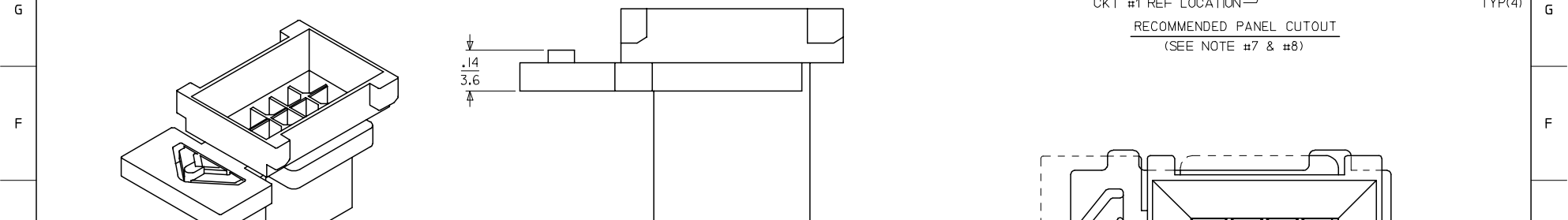
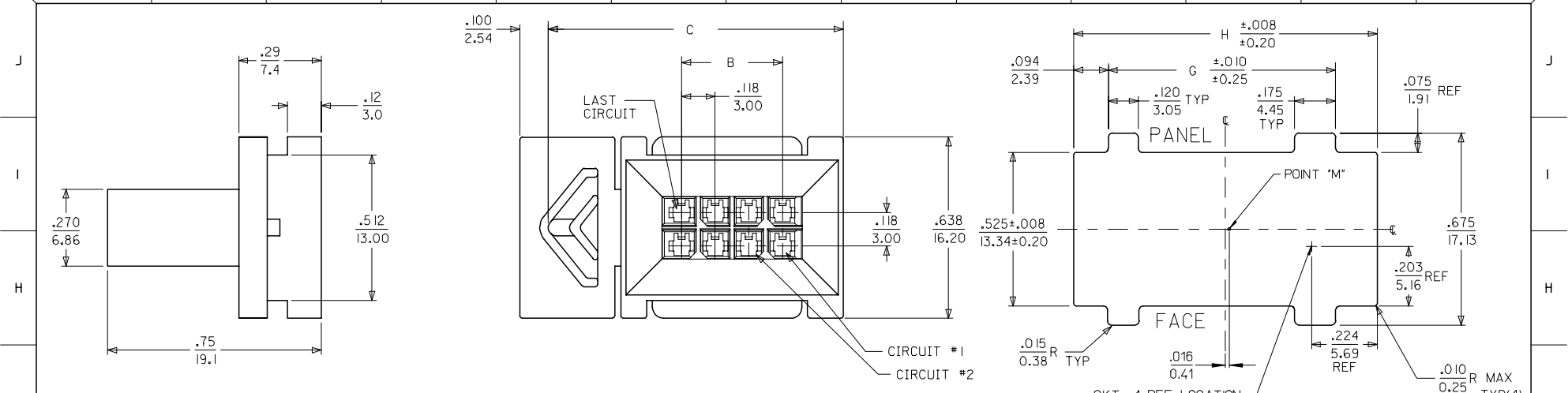
Mates With

[44133](#) , [44764](#) , [44769](#)

Use With

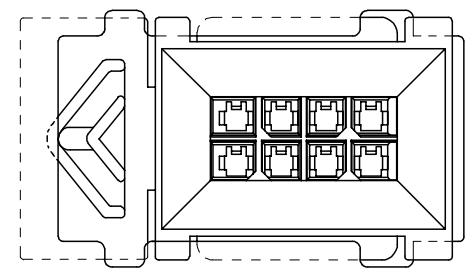
[43031](#)

13 12 11 10 9 8 7 6 5 4 3 2 1



| CKT SIZE | MATERIAL NUMBER | DIM "B" | DIM "C" | DIM "G" | DIM "H" | PACKAGING (SEE NOTE 4) |
|----------|-----------------|----------------|--------------|----------------|----------------|------------------------|
| 4 | 44300-0400 | .118 3.00 | .80 20.3 | .585 14.85 | .821 20.85 | BP |
| 6 | 44300-0600 | .236 6.00 | .92 23.3 | .703 17.85 | .939 23.85 | |
| 8 | 44300-0800 | .354 9.00 | 1.04 26.3 | .821 20.85 | 1.057 26.85 | |
| 10 | 44300-1000 | .472 12.00 | 1.16 29.3 | .939 23.85 | 1.175 29.85 | |
| 12 | 44300-1200 | .591 15.00 | 1.28 32.3 | 1.057 26.85 | 1.293 32.85 | TP |
| 14 | 44300-1400 | .709 18.00 | 1.39 35.3 | 1.175 29.85 | 1.411 35.85 | |
| 16 | 44300-1600 | .827 21.00 | 1.51 38.3 | 1.293 32.85 | 1.530 38.85 | |
| 18 | 44300-1800 | .945 24.00 | 1.63 41.3 | 1.411 35.85 | 1.648 41.85 | |
| 20 | 44300-2000 | 1.063 27.00 | 1.75 44.3 | 1.530 38.85 | 1.766 44.85 | BP |
| 22 | 44300-2200 | 1.181 30.00 | 1.87 47.3 | 1.648 41.85 | 1.884 47.85 | |
| 24 | 44300-2400 | 1.299 33.00 | 1.98 50.3 | 1.766 44.85 | 2.002 50.85 | |
| | | | | | | |

- NOTES:
- MATERIAL:
UNFILLED POLYESTER (PBT), UL94V-0,
COLOR: BLACK
 - FINISH: N/A
 - PRODUCT SPECIFICATION: PS-44300-001
 - PACKAGING SPECIFICATION:
BP - BULK PACKED PER PK-44300-001
TP - TRAY PACKED PER PK-44300-002
 - THIS PLUG MATES WITH MOLEX BMI RECEPTACLE 44133.
(MOLEX DRAWING SD-44133-001)
 - THIS PLUG TO BE USED WITH MOLEX MALE CRIMP
TERMINALS ONLY. (MOLEX DRAWING SD-43031-xxxx)
 - THIS PLUG IS DESIGNED FOR USE WITH .062/1.57 MAX. TO .050/1.27 MINIMUM THICK PANELS.
 - WHEN MATING WITH 44133 SERIES, POINT "M" MUST ALIGN WITH THE PANEL CUT-OUT CENTERLINES
DEFINED BY MOLEX DRAWING SD-44133-001.
 - HOUSING MAY EXHIBIT A SURFACE IMPERFECTION KNOWN AS "SINK MARKS" UP TO .024/0.60 MAX.
THIS IS COSMETIC DEFECT AND DOES NOT EFFECT FUNCTION OF THE CONNECTOR.



| | | | | | | |
|---|---|--|--|--|---|------------------|
| REVISE PACKAGING FC NO: UCP2007-2862 DRAWN BY: IPER 2007/05/15 CHKD: SSOUSEK 2007/06/01 APPR: FSM TH 2007/06/04 J1 | QUALITY SYMBOLS ◀=0 ▽=0 | GENERAL TOLERANCES (UNLESS SPECIFIED) mm INCH 4 PLACES ± --- ± --- 3 PLACES ± --- ± .010 2 PLACES ± 0.25 ± .014 1 PLACE ± 0.35 ± --- ANGULAR ±1/2° | DIMENSION STYLE IN/MM DRAWN BY: SOMMER DATE: 1998/11/25 CHECKED BY: SOMMER DATE: 1998/11/25 APPROVED BY: EDGLEY DATE: 1998/11/25 | SCALE: 4:1 DESIGN UNITS: METRIC THIRD ANGLE PROJECTION | MICRO-FIT 3.0 DUAL ROW BMI PANEL MOUNT PLUG MOLEX INCORPORATED | SHEET NO. 1 OF 1 |
| | DRAFT WHERE APPLICABLE MUST REMAIN WITHIN DIMENSIONS | | SEE CHART | MATERIAL NO. SD-44300-001 DOCUMENT NO. | MOLEX INCORPORATED | |
| | THIS DRAWING CONTAINS INFORMATION THAT IS PROPRIETARY TO MOLEX INCORPORATED AND SHOULD NOT BE USED WITHOUT WRITTEN PERMISSION | | SIZE C | | SHEET NO. 1 OF 1 | |
| | THIS DRAWING CONTAINS INFORMATION THAT IS PROPRIETARY TO MOLEX INCORPORATED AND SHOULD NOT BE USED WITHOUT WRITTEN PERMISSION | | SEE CHART | | SHEET NO. 1 OF 1 | |

ib_frame_C_P_ME_T Rev. D 2004/04/02 12 11 10 9 8 7 6 5 4 3 2 1