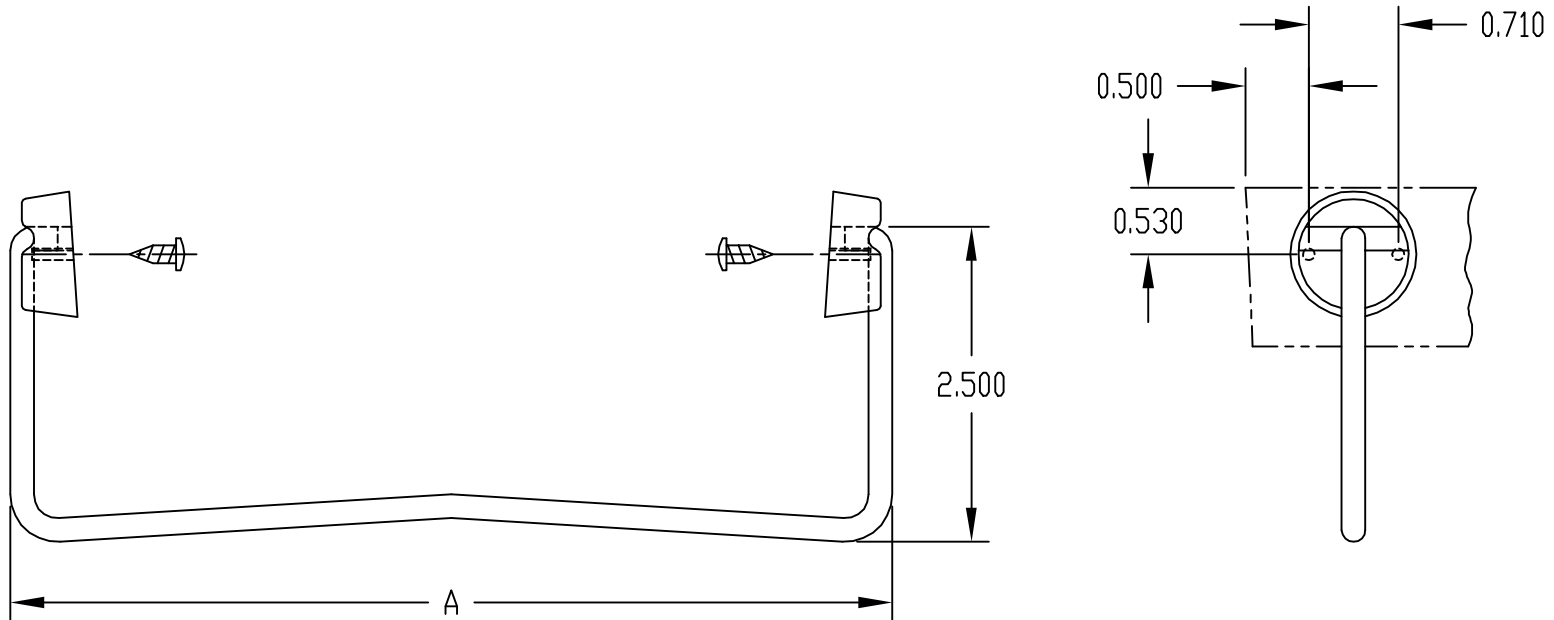


PART NAME	HANDLE/BAIL KIT	PART No.	HB-11496 & HB-11498
-----------	-----------------	----------	---------------------

MATERIAL: HANDLE _____ 3/16 DIA. STEEL
ATTACHMENT BUTTONS _____ MOLDED ABS
FEET _____ RUBBER

FINISH: HANDLE _____ CHROME PLATED
ATTACHMENT BUTTONS & FEET _____ BLACK

SUPPLIED WITH (4) MOUNTING SCREWS



PART No.	DIM. A	WILL FIT
HB-11496	7.000	PC-11406, PC-11410, PC-11414
HB-11498	9.000	PC-11408, PC-11412, PC-11416

PART NAME	EXTERNAL MOUNTING BRACKET	PART No.	MB-1390-LG & MB-1390-DG
-----------	---------------------------	----------	-------------------------

MATERIAL: NYLON 66

FINISH:
(SUFFIX -LG) LIGHT GRAY
(SUFFIX -DG) DARK GRAY

*** NOTE: THESE BRACKETS WILL NOT FIT PLASTIC BOX PN-1344 ***

EACH KIT INCLUDES: QTY. (4) BRACKETS
- (2) LEFT & (2) RIGHT AND QTY. (4) SCREWS

