



Spec. No.	PS-ND-0807
Rev.	A

# PRODUCT SPECIFICATION

**Model No : CSS-1814G/1815G**

## Descriptions:

- 1.80 Inch Single Digit Display
- Emitting Color : Yellow Green



CUSTOMER APPROVED	APPROVED BY	CHECKED BY	PREPARED BY
SIGNATURES			陳新強

CHINA SEMICONDUCTOR CORPORATION  
Address:2FL. NO.909,Chung-Cheng Road,  
Chung-Ho City Taipei Hsien,Taiwan.

Tel:886-2-2223-9696  
Fax:886-2-2223-9377

OPTO PLUS TECHNOLOGIES CO.,LTD  
Address:696 Shun jiang Rd.,Ji Shan St.Shaoxing,  
ZheJiang,China

Tel:86-0575-88623888  
Fax:86-0575-88623112



**Model No : CSS-1814G/1815G**

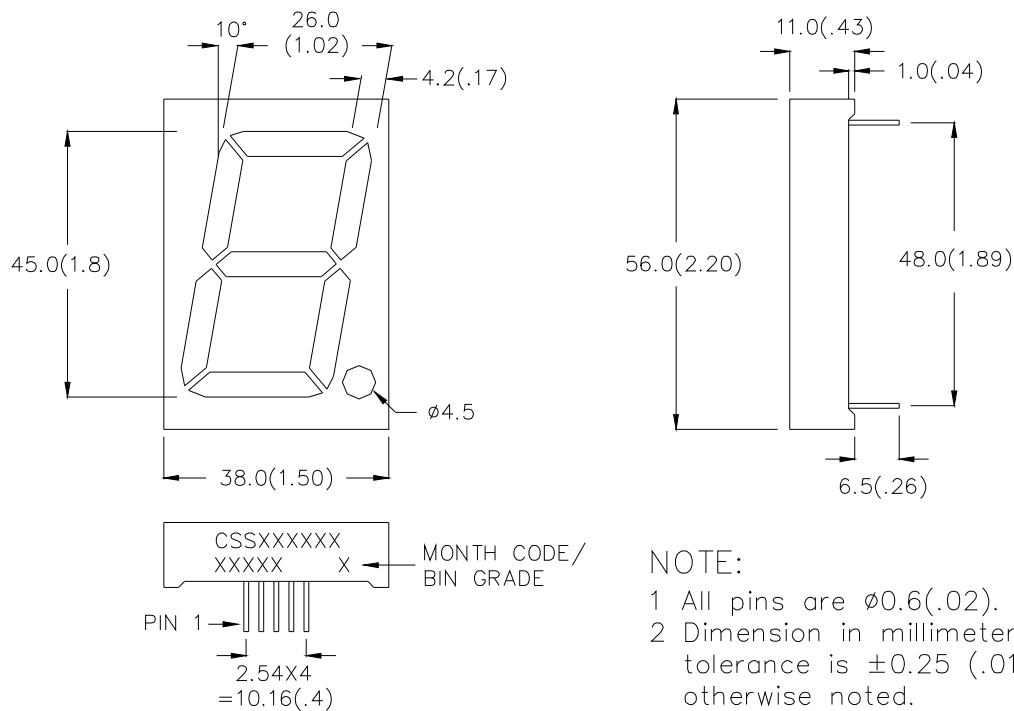
**Features -**

1. 1.80 inch (45.0mm) digit height.
2. Case mold type.
3. RoHS compliant.
4. Low power consumption.
5. Easy mounting on P.C. board or socket.

**Device Selection Guide -**

Part No.	Chip		Description
	Material	Emitted Color	
<b>CSS-1814G</b>	<b>GaP</b>	<b>Yellow Green</b>	<b>Common Anode</b>
<b>CSS-1815G</b>	<b>GaP</b>	<b>Yellow Green</b>	<b>Common Cathode</b>

**Mechanical Dimensions -**



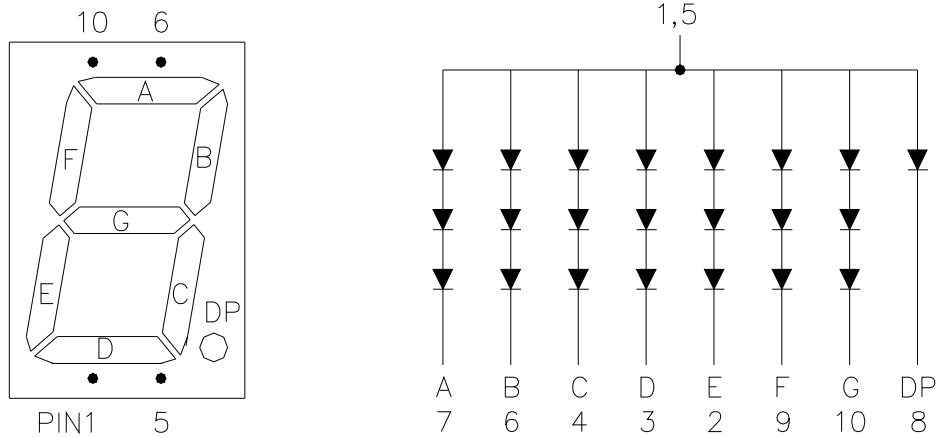
**NOTE:**

- 1 All pins are  $\phi 0.6(.02)$ .
- 2 Dimension in millimeter (inch), and tolerance is  $\pm 0.25 (.01)$  unless otherwise noted.



**Model No : CSS-1814G/1815G**

**Internal Circuit Diagrams -**



CSS-1814 Common Anode  
(CSS-1815 Common Cathode.)

**Absolute Maximum Rating -**

(Ta=25°C)

Parameter	Symbol	Rating	Unit
Power Dissipation Per Dice	Pd	70	mW
Continuous Forward Current Per Dice	IAF	25	mA
Peak Current Per Dice (Duty cycle 1/10, 1KHz)	IPF	90	mA
Continuous Forward Current Per Dice	-	0.33	mA/°C
Reverse Voltage Per Dice	VR	5	V
Operating Temperature	Topr	-35 ~ +85	°C
Storage Temperature	Tstg	-35 ~ +85	°C
Solder temperature 1/16 inch below seating plane for 3 seconds at 260			



Model No : CSS-1814G/1815G

■ Electro-optical Characteristics -

(Ta=25°C)

Parameter	Symbol	Min.	Typ.	Max.	Unit	Condition
Forward Voltage Per Segment(DP)	VF	-	6.3(2.1)	8.4(2.8)	V	IF=20mA
Luminous Intensity Per Segment	Iv	-	15	-	mcd	IF=10mA
Peak Emission Wavelength	$\lambda P$	-	568	-	nm	IF=20mA
Dominant Wavelength	$\lambda d$	-	572	-	nm	IF=20mA
Spectrum Radiation Bandwidth	$\Delta \lambda$	-	30	-	nm	IF=20mA
Reverse Current	IR	-	-	100	$\mu A$	VR=12V
Luminous Intensity Matching Ratio	IV-m	-	-	2:1	-	IF=10mA



**Model No : CSS-1814G/1815G**

**Typical Electrical / Optical Characteristics Curves -**

**(Ta = 25°C Unless Otherwise Noted)**

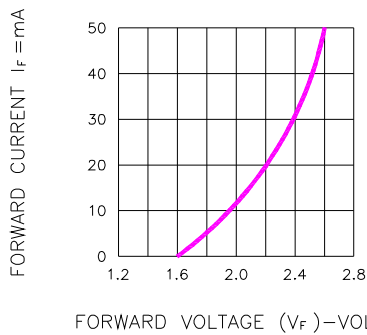


Fig.1 FORWARD CURRENT VS. FORWARD VOLTAGE

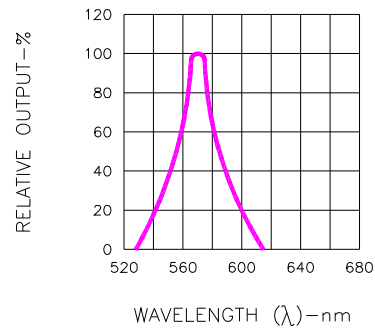


Fig.2 SPECTRAL RESPONSE

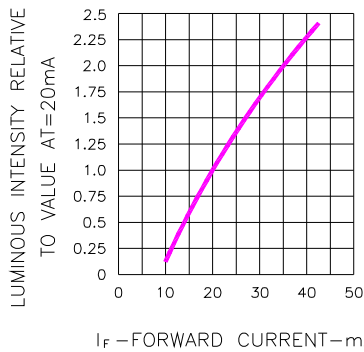


Fig.3 RELATIVE LUMINOUS INTENSITY VS. FORWARD CURRENT

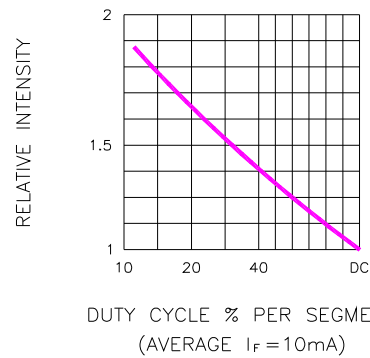


Fig.5 LUMINOUS INTENSITY VS. DUTY CYCLE

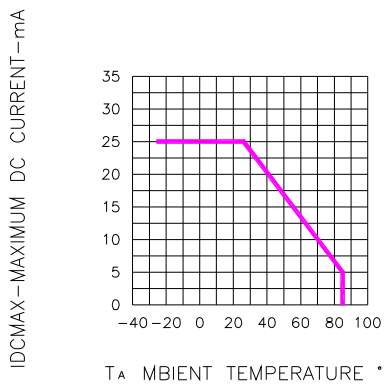


Fig.4 MAXIMUM ALLOWABLE DC CURRENT PER SEGMENT VS. A FUNCTION OF AMBIENT TEMPERATURE

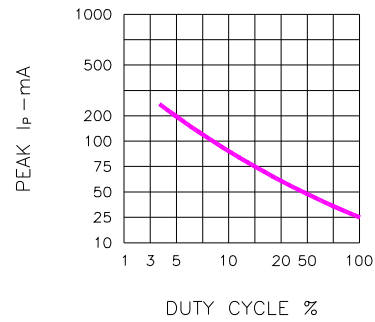


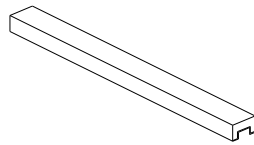
Fig.6 MAX PEAK CURRENT VS. DUTY CYCLE % (REFRESH RATE f=1 KHz)



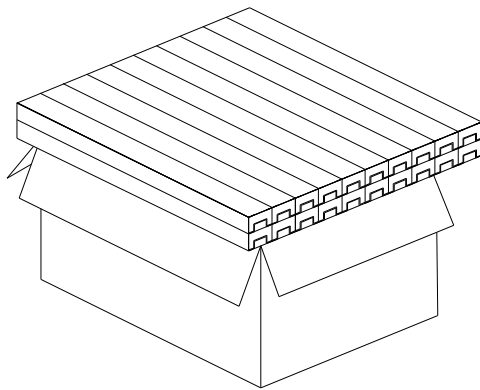
Model No : CSS-1814G/1815G

■ Package Dimensions

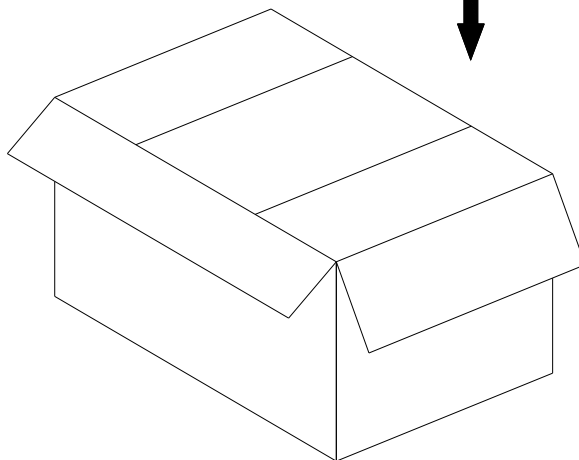
Single Digit Display  
Dice Code  
CSS-181XX



13 PCS per tube



20 Tubes per inner box  
Total Q'TY: 260 pcs



3 Inner boxes per carton.  
Total Q'TY: 780 pcs

Carton size:  
L54xW48.5xH30.5cm

Note: The specifications are subject to change without notice. Please contact us for updated informatio