

PLEASE CHECK WWW.MOLEX.COM FOR LATEST PART INFORMATION

Part Number: [0190730179](#)
Status: **Active**
Description: Avikrimp™ Ring Tongue Terminal for 10 to 12 AWG Wire, Stud Size 10, Length 31.95mm (1.258")

Documents:

[Drawing \(PDF\)](#) [RoHS Certificate of Compliance \(PDF\)](#)

Agency Certification

CSA LR18689
 UL E32244

General

Product Family Ring and Spade Terminals
 Series [19073](#)
 Crimp Quality Equipment Yes
 Mil-Spec N/A
 Product Name Avikrimp™
 Type Ring

Physical

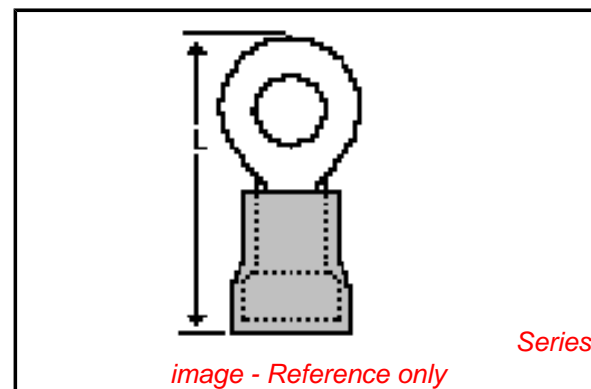
Barrel Type Closed
 Flammability 94V-0
 Insulation Nylon (PA)
 Material - Plating Mating Tin
 Packaging Type Bag
 Plating min: Mating (µin) 100
 Plating min: Mating (µm) 2.5
 Plating min: Termination (µin) 100
 Plating min: Termination (µm) 2.5
 Stud Size 10 (M5)
 Wire Insulation Diameter 5.72mm (.225") max.
 Wire Size AWG 10, 12
 Wire Size mm² 3.30 - 5.00

Material Info

Old Part Number C-830-10

Reference - Drawing Numbers

Sales Drawing SD-19073-008



EU RoHS

ELV and RoHS Compliant
REACH SVHC
 Not Reviewed
Halogen-Free Status
 Not Reviewed

China RoHS



Need more information on product environmental compliance?

Email productcompliance@molex.com
 For a multiple part number RoHS Certificate of Compliance, [click here](#)

Please visit the [Contact Us](#) section for any non-product compliance questions.

Search Parts in this Series

[19073Series](#)

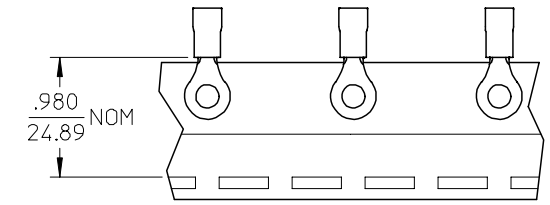
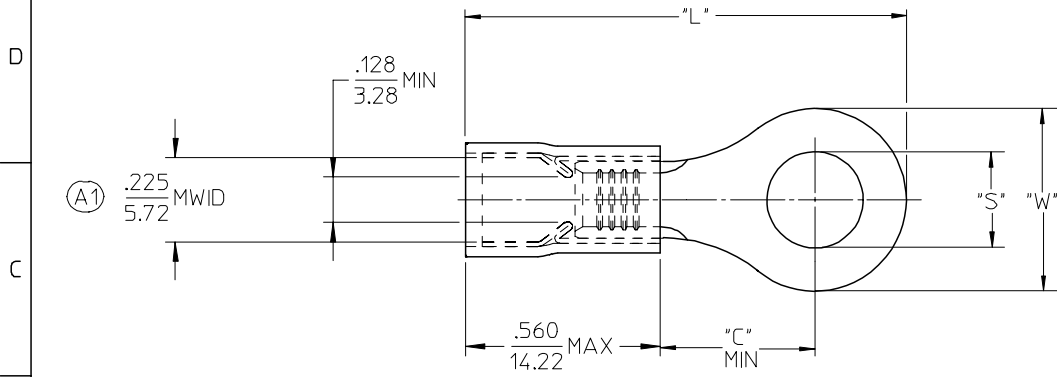
Application Tooling | [FAQ](#)

Tooling specifications and manuals are found by selecting the products below. Crimp Height Specifications are then contained in the Application Tooling Specification document.

Global

Description	Product #
Hand Crimp Tool	0640010100
Hand Crimp Tool	0640011500
Crimp Head for the AT-200™ Pneumatic Hand Tool	0640050100

MATERIAL NUMBER	ENG. NO.	MATERIAL NUMBER TAPE MOUNTED	ENG. NO.	STUD SIZE	"S" ±.005	"W" MAX	"C" MIN	"L" MAX
190730179	C-830-10	190730180	C-830-10T	10	.198 (5.03)	.540 (13.72)	.393 (9.98)	1.258 (31.95)
190730188	C-830-14	190730190	C-830-14T	14	.265 (6.73)			
190730200	C-830-56	190730201	C-830-56T	56	.328 (8.33)			
190730212	C-836-04	190730213	C-836-04T	04	.119 (3.02)	.292 (7.42)	.306 (7.77)	1.047 (26.59)
190730216	C-836-06	190730218	C-836-06T	06	.146 (3.71)			
190730222	C-836-08	190730224	C-836-08T	08	.173 (4.39)	.602 (15.29)	.466 (11.83)	1.362 (34.59)
190730227	C-840-10	190730228	C-840-10T	10	.198 (5.03)			
190730231	C-840-14	190730232	C-840-14T	14	.265 (6.73)			
190730236	C-840-38	190730237	C-840-38T	38	.390 (9.91)			
190730242	C-840-56	190730243	C-840-56T	56	.328 (8.33)			



SALES DRAWING

- NOTES:
- MATERIAL: COPPER (.040/1.02) THICK. PLATING: ELECTROPLATE TIN
 - FERRULE: TIN PLATED BRASS
 - INSULATION: YELLOW NYLON
 - MWID=MAXIMUM WIRE INSULATION DIA.
 - ALL DIMENSIONS IN INCHES (MM).
 - WIRE SIZE: 12-10 AWG
4.0-6.0 MM²

EC NO: ETC2006-0152 DRWN: ASAYDEH 2005/12/12 CHKD: JLOMASTR 2005/12/13 APPR: RDEROSS 2005/12/14	QUALITY SYMBOLS	GENERAL TOLERANCES (UNLESS SPECIFIED)		SCALE 4:1	DESIGN UNITS INCH	THIRD ANGLE PROJECTION	REVISE ON CAD ONLY	
	DESCRIPTION ▼ - 0 ▽ - 0		mm	INCH	DIMENSION STYLE IN/MM		TITLE	
		4 PLACES	± ---	± ---	DRAWN BY DMYRICK	DATE 03/12/15	RING TONGUE TERMINAL AVIKRIMP, 800-SERIES 12-10 AWG	
		3 PLACES	± ---	± .005	CHECKED BY SBEITZEL	DATE 03/12/15	MOLEX INCORPORATED	
	2 PLACES	± 0.13	± .01	APPROVED BY RDEROSS	DATE 03/12/15	MATERIAL NO. SEE CHART	DOCUMENT NO. SD-19073-008	
	1 PLACE	± 0.25	± ---	DRAFT WHERE APPLICABLE MUST REMAIN WITHIN DIMENSIONS		SHEET NO. 1 OF 1		
REV A1				THIS DRAWING CONTAINS INFORMATION THAT IS PROPRIETARY TO MOLEX INCORPORATED AND SHOULD NOT BE USED WITHOUT WRITTEN PERMISSION				