

**PLEASE CHECK WWW.MOLEX.COM FOR LATEST PART INFORMATION**

**Part Number:** **0504547425**  
**Status:** **Active**  
**Description:** Circuit Breaker Terminal for 250-300MCM AWG, Closed Uninsulated Brazed Barrel, Stud Size 1/2" (M12), Oxygen-Free Copper, Length 61.30mm (2.413")

**Documents:**

[Drawing \(PDF\)](#) [RoHS Certificate of Compliance \(PDF\)](#)  
[Product Specification PS-50449-002 \(PDF\)](#)

**Agency Certification**

UL E134962

**General**

Product Family Ring and Spade Terminals  
 Series 50454  
 Crimp Quality Equipment Yes  
 Mil-Spec N/A  
 Product Name CB (Circuit Breaker)  
 Type Rectangular

**Physical**

Barrel Type Closed - Brazed  
 Insulation None  
 Material - Plating Mating Tin  
 Packaging Type Bag  
 Stud Size 1/2" (M12)  
 Termination Interface: Style Crimp or Compression  
 Wire Size AWG 250MCM, 300MCM  
 Wire Size mm<sup>2</sup> 117.2 - 152.05

**Material Info**

**Reference - Drawing Numbers**

Product Specification PS-50449-002  
 Sales Drawing SD-50454-7\*25



Series

image - Reference only

**EU RoHS**

**ELV and RoHS Compliant**  
**REACH SVHC**  
 Not Reviewed  
**Halogen-Free Status**  
**Not Reviewed**

**China RoHS**



**Need more information on product environmental compliance?**

Email [productcompliance@molex.com](mailto:productcompliance@molex.com)  
 For a multiple part number RoHS Certificate of Compliance, [click here](#)

Please visit the [Contact Us](#) section for any non-product compliance questions.

**Search Parts in this Series**

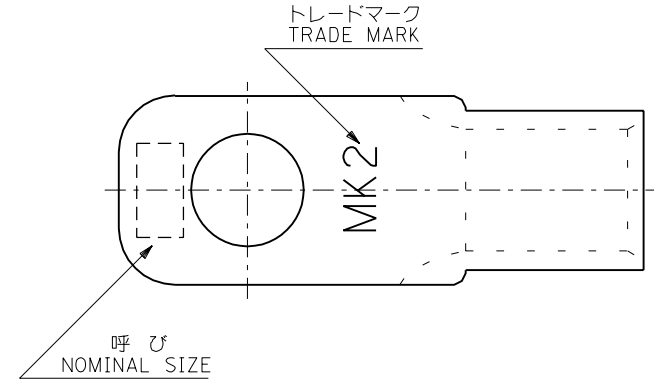
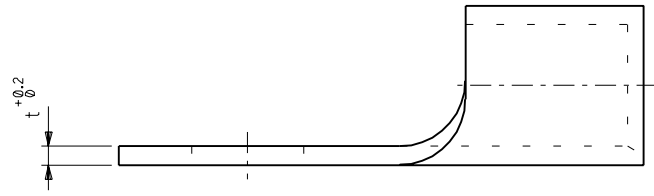
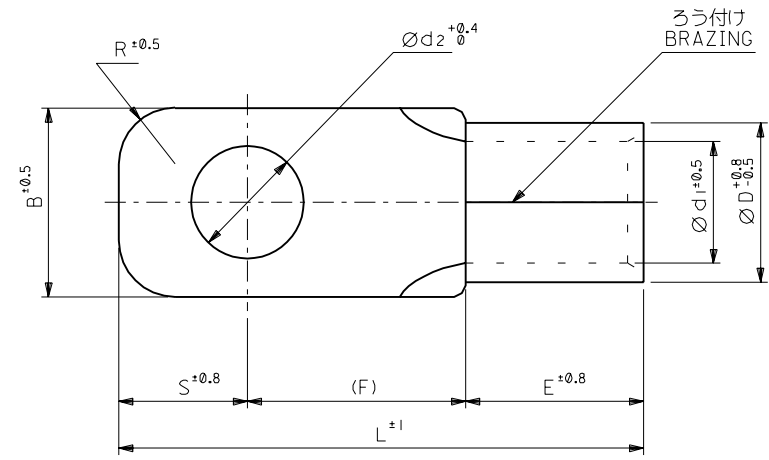
50454Series

**Application Tooling | [FAQ](#)**

*Tooling specifications and manuals are found by selecting the products below. Crimp Height Specifications are then contained in the Application Tooling Specification document.*

**Japan**

Description	Product #
Tool Kit For 57343-9012	<a href="#">0573439001</a>
Battery Type Hand Crimper For JIS Terminal	<a href="#">0573439004</a>



注記  
NOTES

- 材質 MATERIAL  
端子: 無酸素銅, スズメッキ  
TERMINAL: OXYGEN FREE HIGH CONDUCTIVITY COPPER, TIN PLATING  
ろう付け部: 銀ろう  
PART OF BRAZING: SILVER SOLDER
- 適用電線 APPLICABLE WIRE RANGE

単線 SOLID WIRE	撚線 STRANDED WIRE
Ø11.68-13.8 mm	117.2-152.05 mm <sup>2</sup>

3.2	13.0	61.3	12.0	3.7	22.3	27.0	19.5	26.5	22.0	CB150-12S	50454-7425
	10.5	61.8	12.5	7.3					25.0	CB150-10	50454-7325
	8.4	61.3	12.0	3.7					22.0	CB150-8S	50454-7125
	60.3	11.0	6.4	CB150-8	50454-7025						
t	d2	L	S	R	(F)	E	d1	D	B	呼 び NOMINAL SIZE	ENG. NO.

角度 ANGLE	▽3°								材料 MATERIAL	注記参照 SEE NOTES
30以上 OVER	+0.5								仕上げ FINISH	注記参照 SEE NOTES
10以上 30未満 UNDER	+0.25								適用電線範囲 WIRE RANGE	注記参照 SEE NOTES
10未満 UNDER	+0.2								被覆外径 INS. RANGE	—
一般公差 GENERAL TOLERANCES		記号 LTR	変更内容 REVISION RECORD	DR. / CHK.	日付 DATE	98/10/02	98/10/02		DRAWN BY '98/09/30	CHK'D BY '98/10/02
			新規作成 (JC90J24)						H.IIJIMA	T.YAMAGUCHI
									APP'D BY '98/10/02	M.FUKUSHIMA
									尺度 SCALE	—

MOLEX-JAPAN CO.,LTD. 日本モレックス株式会社	
REVISE ONLY ON CAD SYSTEM	
TITLE 名称 RING TERMINAL (FOR BREAKER) (銅線用裸圧着端子) (NON-INSULATED CRIMP-STYLE TERMINAL FOR COPPER CONDUCTORS)	
DWG. NO.	REV
SD-50454-7*25	0