

PLEASE CHECK WWW.MOLEX.COM FOR LATEST PART INFORMATION

Part Number: [5010170808](#)
Status: **Active**
Description: 0.40mm (.016") Pitch Board-to-Board Receptacle, SMT, Dual Row, Vertical, 4.00mm (.157") Stacking Height, 80 Circuits

Documents:

[Drawing \(PDF\)](#) [RoHS Certificate of Compliance \(PDF\)](#)
[Product Specification PS-54684-008 \(PDF\)](#)

General

Product Family PCB Headers
 Series [501017](#)
 Application Board-to-Board
 Product Name N/A

Physical

Breakaway No
 Circuits (Loaded) 80
 Color - Resin Brown
 Durability (mating cycles max) 30
 First Mate / Last Break No
 Glow-Wire Compliant No
 Guide to Mating Part No
 Keying to Mating Part None
 Lock to Mating Part None
 Mated Height (in) 0.157 In
 Mated Height (mm) 4.00 mm
 Material - Metal Phosphor Bronze
 Material - Plating Mating Gold
 Material - Plating Termination Gold
 Number of Rows 2
 Orientation Vertical
 PCB Locator No
 PCB Retention None
 Packaging Type Embossed Tape on Reel
 Pitch - Mating Interface (in) 0.016 In
 Pitch - Mating Interface (mm) 0.40 mm
 Pitch - Term. Interface (in) 0.016 In
 Pitch - Term. Interface (mm) 0.40 mm
 Polarized to Mating Part No
 Polarized to PCB No
 Stackable No
 Temperature Range - Operating -25°C to +105°C
 Termination Interface: Style Surface Mount

Electrical

Current - Maximum per Contact 0.3A
 Voltage - Maximum 30V AC (RMS)/DC

Material Info

Reference - Drawing Numbers

Product Specification PS-54684-008
 Sales Drawing SD-501017-001, SD-501017-002

EU RoHS

ELV and RoHS Compliant
REACH SVHC
 Not Reviewed
Halogen-Free Status

Not Reviewed

China RoHS



Need more information on product environmental compliance?

Email productcompliance@molex.com
 For a multiple part number RoHS Certificate of Compliance, [click here](#)

Please visit the [Contact Us](#) section for any non-product compliance questions.

Search Parts in this Series

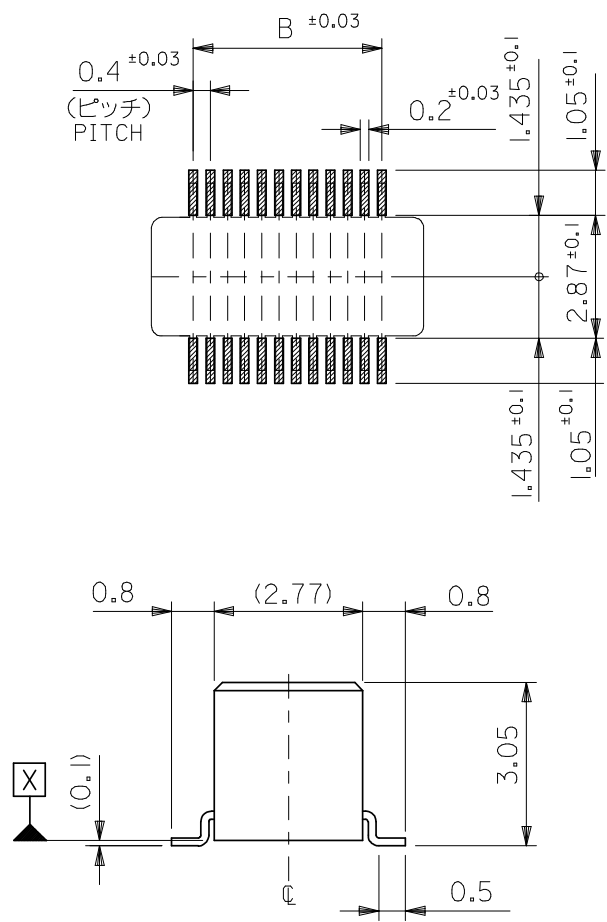
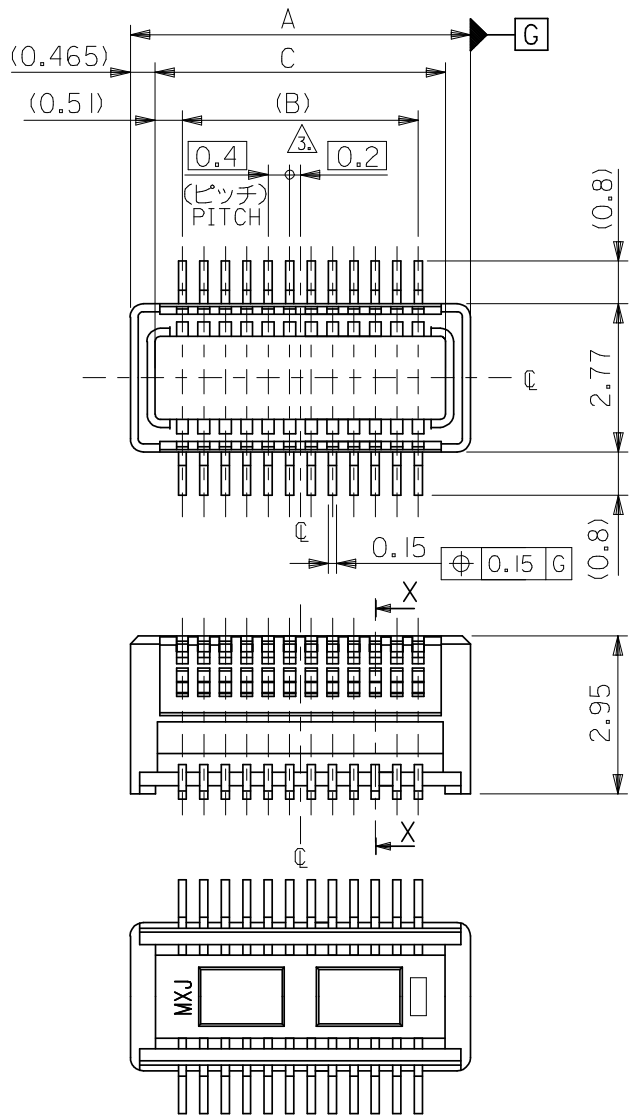
[501017Series](#)

Mates With

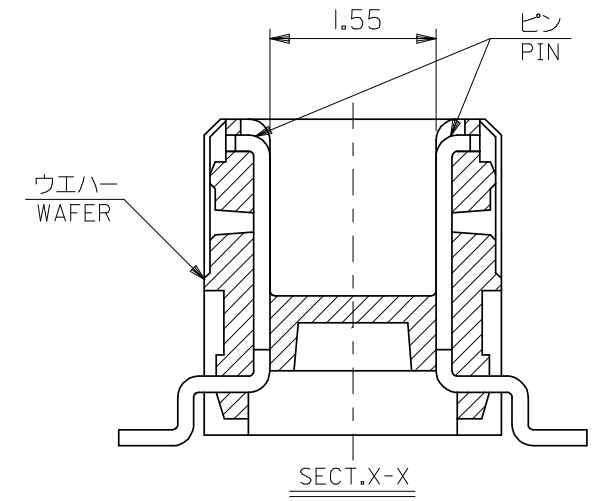
[54684 PCB Receptacle](#)

This document was generated on 05/18/2010

PLEASE CHECK WWW.MOLEX.COM FOR LATEST PART INFORMATION



参考基板レイアウト (マウント面)
 RECOMMENDED P.C.BOARD
 PATTERN DIMENSION. (REF.)
 (MOUNTING AREA)



| | | | | |
|-------|------|-------|--------------|---------|
| 20.64 | 19.6 | 21.55 | 501017-1007 | 100 |
| 16.63 | 15.6 | 17.55 | 501017-0807 | 80 |
| 12.64 | 11.6 | 13.55 | 501017-0607 | 60 |
| 10.64 | 9.6 | 11.55 | 501017-0507 | 50 |
| 5.42 | 4.4 | 6.35 | 501017-0247 | 24 |
| C | B | A | MATERIAL NO. | CIRCUIT |

MODEL NO. 501017-****7

MATERIAL
 材料
 注記参照
 SEE NOTES

REVISED
 EC NO: J2008-2284
 DRWN: YMAEDA 2007/12/04
 CHKD: NUKITA 2007/12/06
 APPR: NUKITA 2007/12/06

DESCRIPTION
 GENERAL TOLERANCES (UNLESS SPECIFIED)
 10 UNDER ±0.2
 10 OVER 30 UNDER ±0.25
 30 OVER ±0.3
 ANGULAR ±--- °
 DRAFT WHERE APPLICABLE MUST REMAIN WITHIN DIMENSIONS

DIMENSION STYLE
 MM ONLY

SCALE

DESIGN UNITS
 METRIC

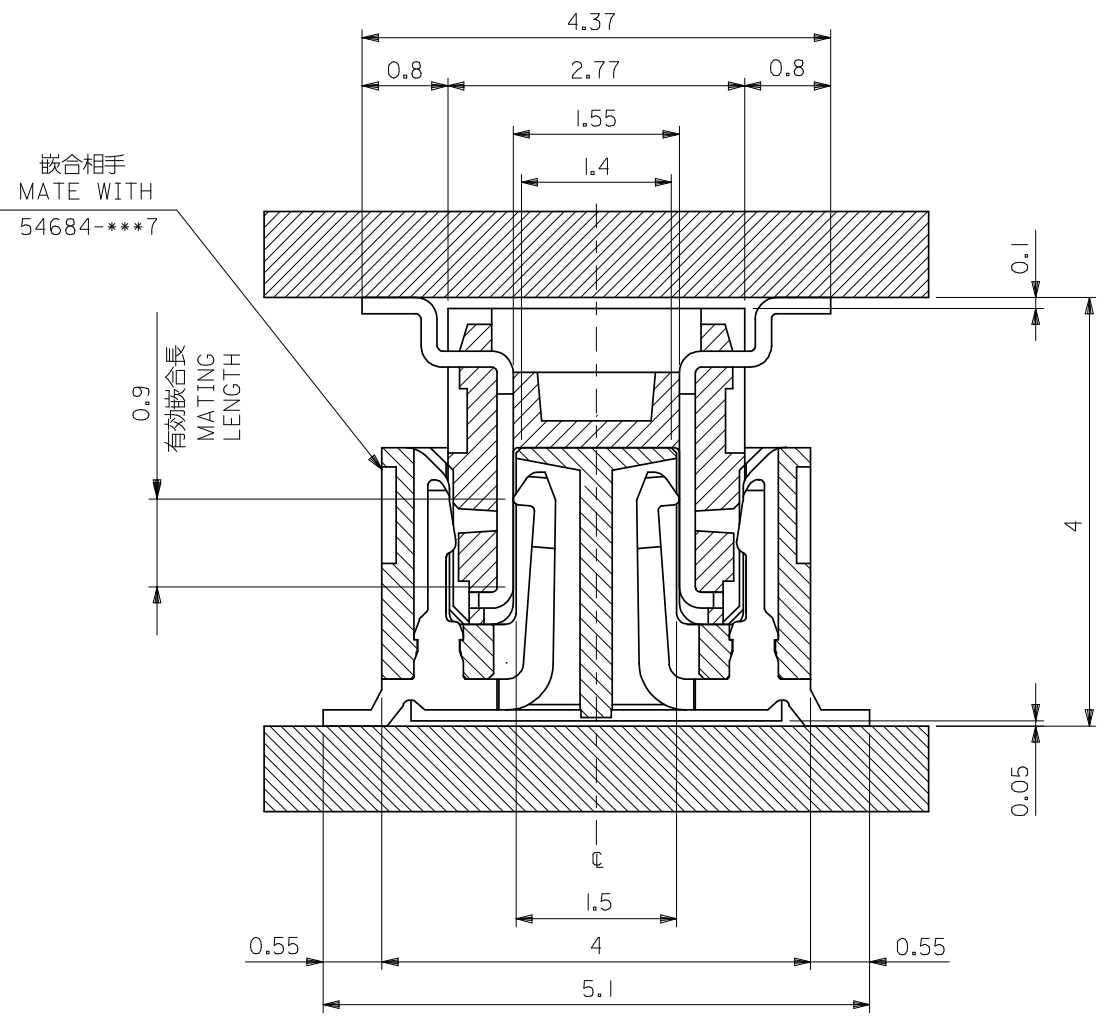
THIRD ANGLE PROJECTION

TITLE
 0.4MM B-TO-B CONN
 NO BOSS PLUG ASSY
 (HGT=4MM)

MOLEX INCORPORATED

MATERIAL NO. SEE TABLE
 DOCUMENT NO. SD-501017-001
 SHEET NO. 1 OF 2

THIS DRAWING CONTAINS INFORMATION THAT IS PROPRIETARY TO MOLEX INCORPORATED AND SHOULD NOT BE USED WITHOUT WRITTEN PERMISSION



嵌合相手
MATE WITH
54684-***7

有効嵌合長
MATING
LENGTH

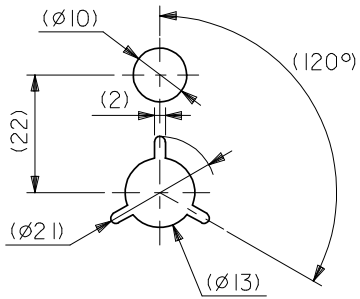
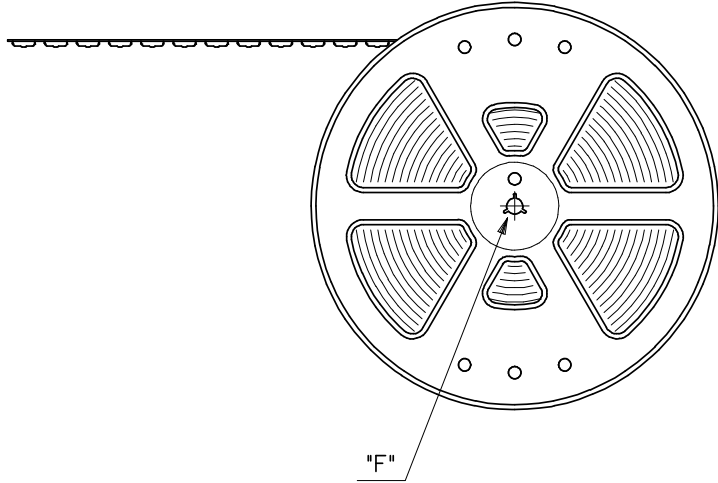
嵌合断面図 (参考)
MATED DRAWING (REF.)

注記 NOTES:

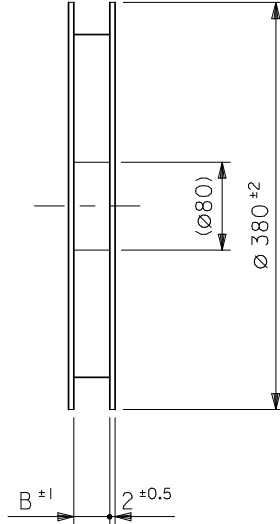
1. 使用材料 MATERIAL
 ウエハー: 液晶ポリマー ガラス充填 UL94V-0 茶色
 WAFER: LIQUID CRYSTAL POLYMER
 GLASS FILLED UL94V-0
 COLOR BROWN
 ピン: リン青銅 (t=0.15)
 PIN: PHOSPHOR BRONZE (t=0.15)
2. メッキ仕様 PLATING
 金メッキ 0.25 マイクロメートル以上 (コンタクト部)
 GOLD 0.25MICROMETER MINIMUM (CONTACT AREA)
 金メッキ 0.4 マイクロメートル以下 (テール部)
 GOLD 0.4MICROMETER MAXIMUM (TAIL AREA)
 下地メッキ: ニッケルメッキ 1.5 マイクロメートル以上
 UNDER PLATING: NICKEL 1.5MICROMETER MINIMUM
3. (全極数/2) = 偶数の場合に適用。
 APPLY FOR (CIRCUIT/2) = EVEN.
4. 嵌合相手: 54684 シリーズ
 MATE WITH: 54684 SERIES.
5. テール平坦度は、0.10 MAX.
 TAIL COPLANARITY TO BE 0.10 MAX.
 又、テール半田付け面の位置はウエハーの底面 に対し
 上方向に0、下方向に0.15 MAX. とする。
 MISALIGNMENT OF SOLDER TAILS FROM
 : UPPER DIRECTION 0
 : LOWER DIRECTION 0.15 MAX.

| | | | | | | | | | | |
|----------------|------------------------------------------|---------------------------------------------------------------------------------------------------------------|-------------|------------------------------------------------------------|--------|----------------------------------------------------------------------------------------------------------------------------------|--------------------|--------------------------------------------------------------|------------------------|---------------------------|
| MATERIAL 材料 | SHEET 1 OF 2 参照 REFER TO SHEET 1 OF 2 | REVISED EC NO: J2008-2284 DRWN: YMAEDA 2007/12/04 CHKD: NUKITA 2007/12/06 APPR: NUKITA 2007/12/06 | DESCRIPTION | GENERAL TOLERANCES (UNLESS SPECIFIED) | | DIMENSION STYLE MM ONLY | | SCALE --- | DESIGN UNITS METRIC | THIRD ANGLE PROJECTION |
| | | | | 10 UNDER | ±0.2 | DRAWN BY Y. NUKANO | DATE 2004/06/05 | TITLE 0.4MM B-TO-B CONN NO BOSS PLUG ASSY (HGT=4MM) | | |
| | | | | 10 OVER 30 UNDER | ±0.25 | CHECKED BY T. HIRATA | DATE 2004/06/05 | MOLEX INCORPORATED | | |
| | | | | 30 OVER | ±0.3 | APPROVED BY M. SASAO | DATE 2004/06/05 | DOCUMENT NO. SD-501017-001 | | SHEET NO. 2 OF 2 |
| | | | | ANGULAR | ±--- ° | MATERIAL NO. SEE TABLE | | | | |
| | | | | DRAFT WHERE APPLICABLE MUST REMAIN WITHIN DIMENSIONS | | THIS DRAWING CONTAINS INFORMATION THAT IS PROPRIETARY TO MOLEX INCORPORATED AND SHOULD NOT BE USED WITHOUT WRITTEN PERMISSION | | | | |

引き出し方向
PULL OUT
DIRECTION

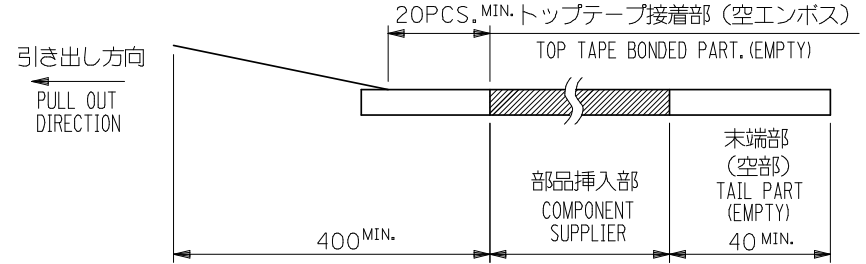


DETAIL "F"



NOTES

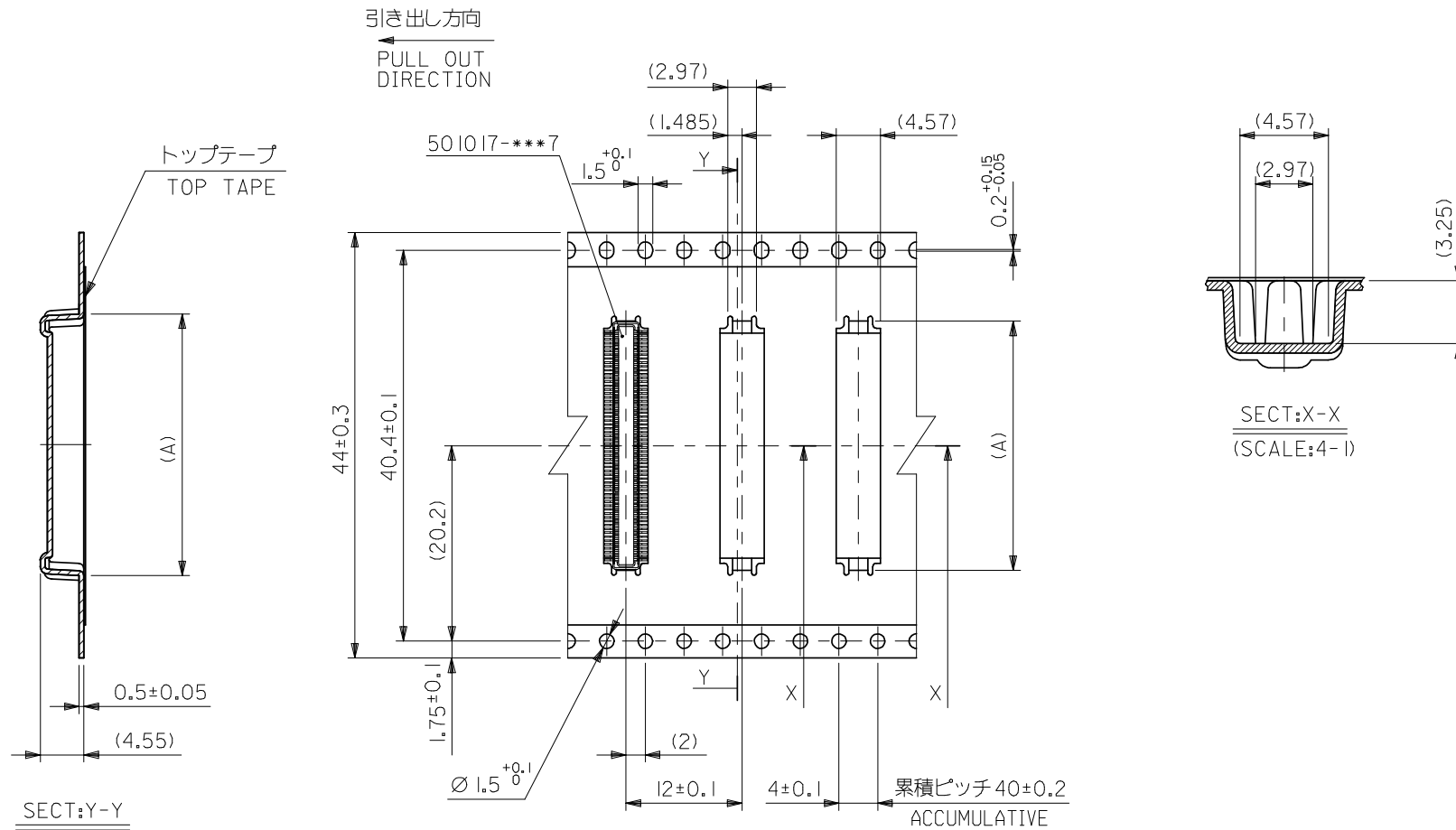
- 製品詳細寸法については図面 SD-501017-001 を参照下さい。
RE DETAILED DIMENSION, SEE SD-501017-001
- 梱包数量：1500個/リール
NUMBER OF CONNECTORS : 1500PCS/REEL
- リードテープ長さ LEAD TAPE LENGTH



- トップテープの剥離強度：「JES-59」参照
PEELING OFF FORCE OF TOPTAPE : SEE 「JES-59」
- シール位置はトップテープ両端から0.5mm以上内側にて行い、
且つエンボスポケット面にかからない位置とする。
SEAL POSITION IS 0.5mm OR MORE INNER SIDE FROM TOP TAPE BOTH ENDS
AND WHICH IS NOT TAKE ON THE EMBOSSED POKET SIDE.
- 材料(MATERIAL)
キャリアテープ(CARRIER TAPE)：ポリプロピレン(POLYPROPYLENE)
トップテープ(TOPTAPE)：PET, PE, PEF
リール(REEL)：ポリスチレン(P.S) <リサイクル材を含む>
POLYSTYRENE(PS) <RECYCLE MATERIAL CONTAINED>

MODEL NO. 501017-***8

| | | | | | | | | | |
|------------------------------------------------------------------------------------------------------------|-------------|------------------------------------------------------------|-------|----------------------------|----------------------------------------------------------------------------------------------------------------------------------|----------------------------------------------------|------------------------|------------------------|--|
| REVISED EC NO: J2008-2284 DRWN:YMAEDA 2007/12/04 CHKD:NUKITA 2007/12/06 APPR:NUKITA 2007/12/06 | DESCRIPTION | GENERAL TOLERANCES (UNLESS SPECIFIED) | | DIMENSION STYLE MM ONLY | | SCALE --- | DESIGN UNITS METRIC | THIRD ANGLE PROJECTION | |
| | | 10 UNDER | ±0.2 | DRAWN BY YNUKANOBU | DATE 2004/06/05 | TITLE EMBOSSSED TAPE PACKAGE FOR 501017-***7 | | | |
| | | 10 OVER 30 UNDER | ±0.25 | CHECKED BY THIRATA | DATE 2004/06/05 | | | | |
| | | 30 OVER | ±0.3 | APPROVED BY MSASAO | DATE 2004/06/05 | MOLEX INCORPORATED | | | |
| | | ANGULAR | ±3 ° | MATERIAL NO. | DOCUMENT NO. | | | | |
| D | REV | DRAFT WHERE APPLICABLE MUST REMAIN WITHIN DIMENSIONS | | SIZE A3 | THIS DRAWING CONTAINS INFORMATION THAT IS PROPRIETARY TO MOLEX INCORPORATED AND SHOULD NOT BE USED WITHOUT WRITTEN PERMISSION | | | | |



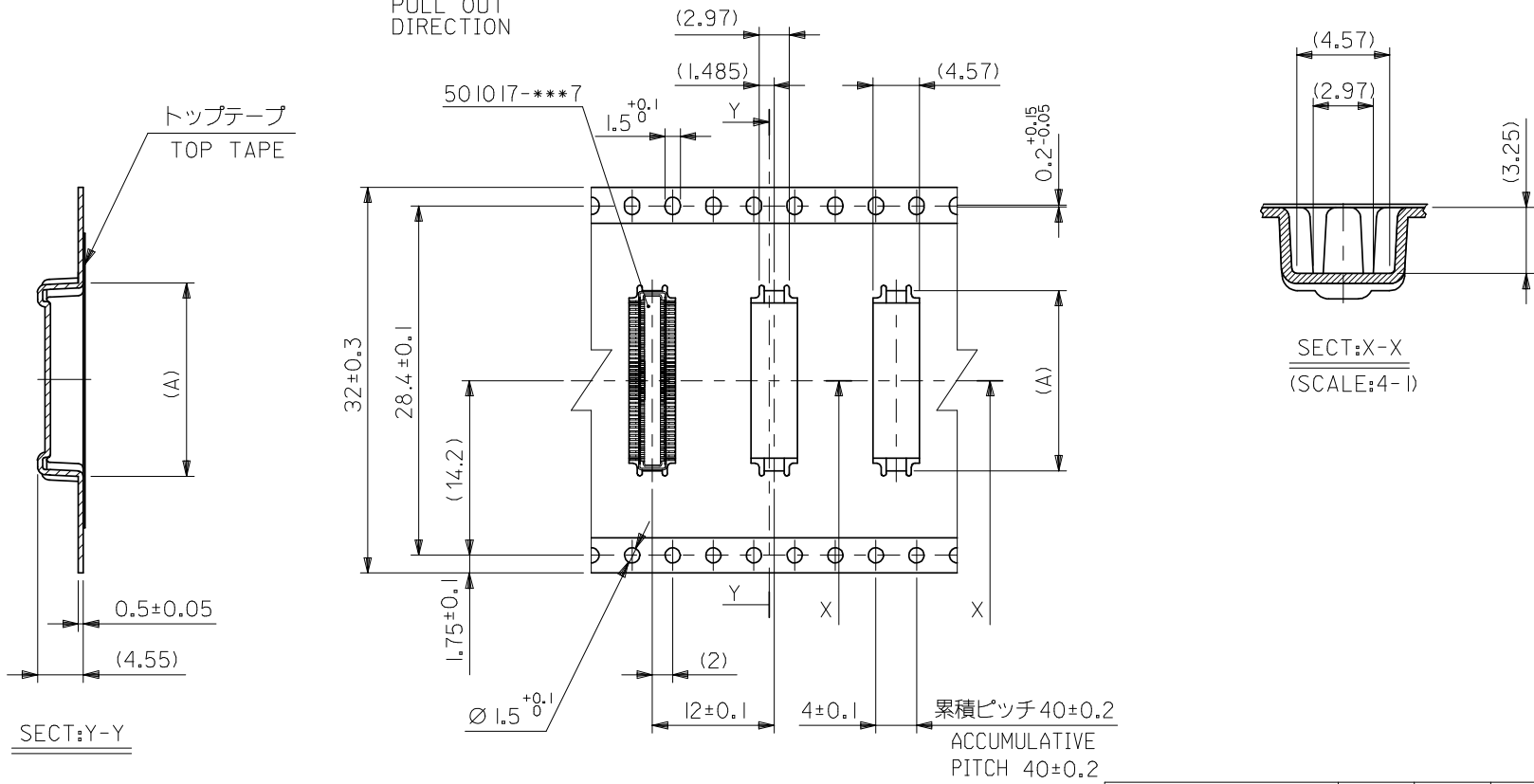
44mm幅キャリアテープ
44mm WIDTH CARRIER TAPE

累積ピッチ 40±0.2
ACCUMULATIVE PITCH 40±0.2

| | | | | |
|--------------------------------|------|-------|--------------|------------|
| 44 | 45.5 | 21.75 | 501017-1008 | 100 |
| キャリアテープ幅 CARRIER TAPE WIDTH | B | (A) | MATERIAL NO. | 極数 CKT. |
| MODEL NO. | | | 501017-***8 | |

| | | | | | | | | |
|-------------------------------------------------------------------------------------------------------------------------------|---------------------------------------|-----------|----------------------------|--------------------|-----------------------------------------------|------------------------|------------------------|--|
| REVISED EC NO: J2008-2284 DRWN: YMAEDA CH'KD: NUKITA APPR: NUKITA | GENERAL TOLERANCES (UNLESS SPECIFIED) | | DIMENSION STYLE MM ONLY | | SCALE --- | DESIGN UNITS METRIC | THIRD ANGLE PROJECTION | |
| | 10 UNDER | ±0.2 | DRAWN BY YNUKANOBU | DATE 2004/06/05 | TITLE EMBOSSD TAPE PACKAGE FOR 501017-***7 | | | |
| | 10 OVER 30 UNDER | ±0.25 | CHECKED BY THIRATA | DATE 2004/06/05 | | | | |
| | 30 OVER | ±0.3 | APPROVED BY MSASAO | DATE 2004/06/05 | MOLEX INCORPORATED | | | |
| | ANGULAR | ±3 ° | MATERIAL NO. | | | | | |
| DRAFT WHERE APPLICABLE MUST REMAIN WITHIN DIMENSIONS | | SEE TABLE | | SD-501017-002 | | 2 OF 4 | | |
| THIS DRAWING CONTAINS INFORMATION THAT IS PROPRIETARY TO MOLEX INCORPORATED AND SHOULD NOT BE USED WITHOUT WRITTEN PERMISSION | | | | | | | | |

引き出し方向
PULL OUT
DIRECTION



SECT:Y-Y

SECT:X-X
(SCALE:4-1)

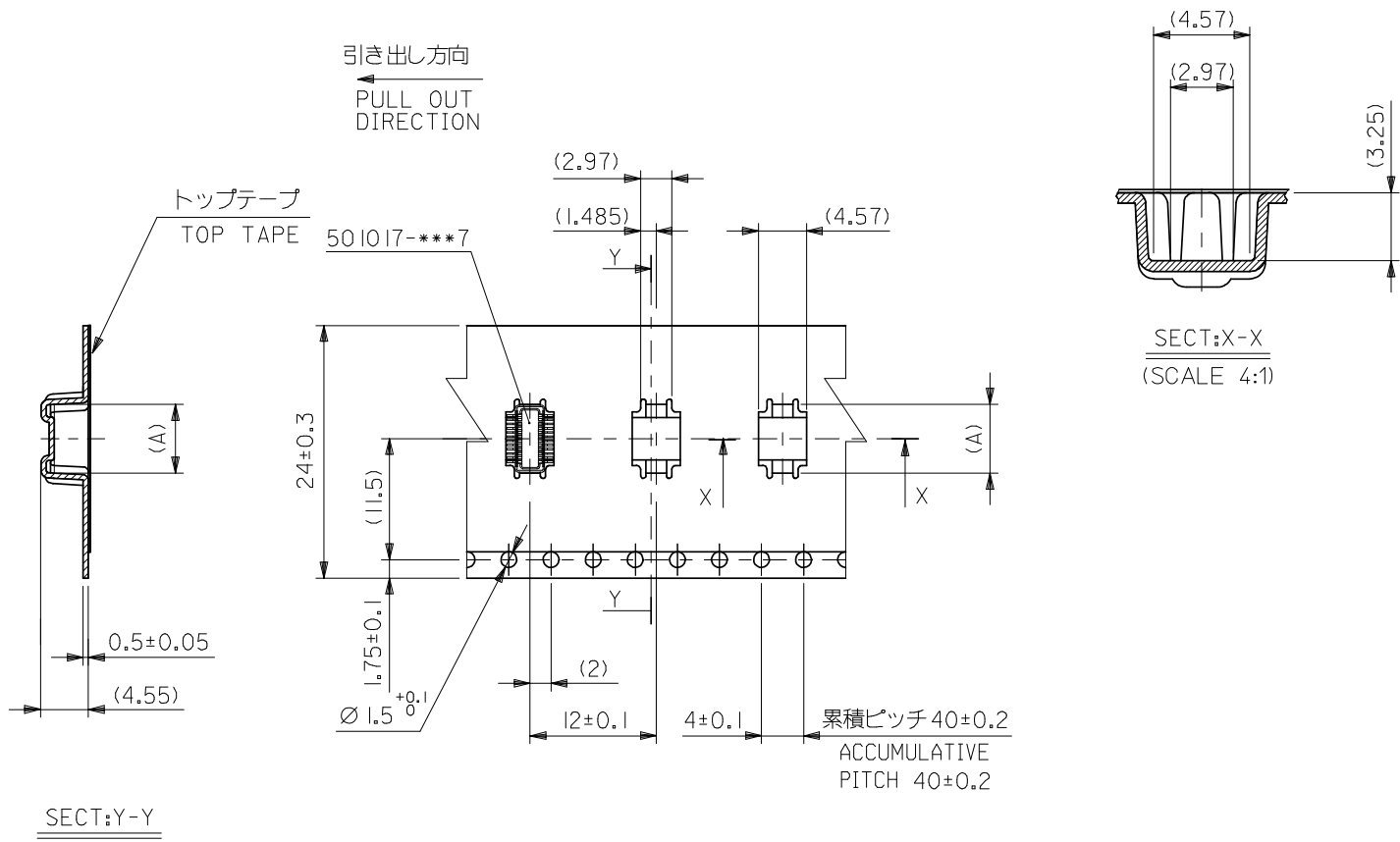
32 mm幅キャリアテープ
32 mm WIDTH CARRIER TAPE

累積ピッチ 40 ± 0.2
ACCUMULATIVE
PITCH 40 ± 0.2

| | | | | |
|--------------------------------|------|-------|--------------|------------|
| 32 | 33.5 | 17.75 | 501017-0808 | 80 |
| | | 13.75 | 501017-0608 | 60 |
| | | 11.75 | 501017-0508 | 50 |
| キャリアテープ幅 CARRIER TAPE WIDTH | B | (A) | MATERIAL NO. | 極数 CKT. |

MODEL NO. 501017-***8

| | | | | | | |
|-------------------------------------------------------------------------------------------------------------|---------------------------------------|-------------------------------------------------------------------------------------------------------------------------------|-----------------|----------------------------|--------------------------------------|------------------------|
| REVISED EC NO: J2008-2284 DRWN:YMAEDA 2007/12/04 CH:KD:NUKITA 2007/12/06 APPR:NUKITA 2007/12/06 | GENERAL TOLERANCES (UNLESS SPECIFIED) | | DIMENSION STYLE | SCALE | DESIGN UNITS | THIRD ANGLE PROJECTION |
| | | | MM ONLY | --- | METRIC | |
| | 10 UNDER | ± 0.2 | DRAWN BY | DATE | TITLE | |
| | 10 OVER 30 UNDER | ± 0.25 | YNUKANOBU | 2004/06/05 | EMBOSSD TAPE PACKAGE FOR 501017-***7 | |
| | 30 OVER | ± 0.3 | CHECKED BY | DATE | MOLEX INCORPORATED | |
| ANGULAR | $\pm 3^\circ$ | THIRATA | 2004/06/05 | MATERIAL NO. SD-501017-002 | | |
| DRAFT WHERE APPLICABLE MUST REMAIN WITHIN DIMENSIONS | | APPROVED BY | DATE | DOCUMENT NO. | | SHEET NO. |
| | | MSASAO | 2004/06/05 | SEE TABLE | | 3 OF 4 |
| | | THIS DRAWING CONTAINS INFORMATION THAT IS PROPRIETARY TO MOLEX INCORPORATED AND SHOULD NOT BE USED WITHOUT WRITTEN PERMISSION | | | | |



24mm幅キャリアテープ
24mm WIDTH CARRIER TAPE

| | | | | |
|--------------------------------|------|------|--------------|------------|
| 24 | 25.5 | 6.55 | 501017-0248 | 24 |
| キャリアテープ幅 CARRIER TAPE WIDTH | B | A | MATERIAL NO. | 極数 CKT. |
| MODEL NO. | | | 501017-***8 | |

| | | | | | | |
|-----------------------------------------------------------------------------------------------------------------------|---------------------------------------|-------------------------------------------------------------------------------------------------------------------------------|-----------------|---------------|---------------------------------------|---------------------------|
| REVISED EC NO: J2008-2284 DRWN: YMAEDA 2007/12/04 CHK: NUKITA 2007/12/06 APPR: NUKITA 2007/12/06 REV D | GENERAL TOLERANCES (UNLESS SPECIFIED) | | DIMENSION STYLE | SCALE | DESIGN UNITS | THIRD ANGLE PROJECTION |
| | | | MM ONLY | --- | METRIC | |
| | 10 UNDER | ±0.2 | DRAWN BY | DATE | TITLE | |
| | 10 OVER 30 UNDER | ±0.25 | YNUKANOBU | 2004/06/05 | EMBOSSED TAPE PACKAGE FOR 501017-***7 | |
| | 30 OVER | ±0.3 | CHECKED BY | DATE | MATERIAL NO. | |
| ANGULAR | ±3 ° | THIRATA | 2004/06/05 | DOCUMENT NO. | | |
| DRAFT WHERE APPLICABLE MUST REMAIN WITHIN DIMENSIONS | | APPROVED BY | DATE | SHEET NO. | | |
| | | MSASAO | 2004/06/05 | 4 OF 4 | | |
| | | SEE TABLE | | SD-501017-002 | | |
| | | THIS DRAWING CONTAINS INFORMATION THAT IS PROPRIETARY TO MOLEX INCORPORATED AND SHOULD NOT BE USED WITHOUT WRITTEN PERMISSION | | | | |