

PLEASE CHECK WWW.MOLEX.COM FOR LATEST PART INFORMATION

Part Number: [0365110025](#)
Status: **Active**
Overview: [din_41612](#)
Description: 2.54mm (.100") Pitch DIN 41612 Header, Style R, Through Hole, Vertical, 1.10µm (43µ") Gold (Au) Plating, Tail Length 4.50mm (.177"), 96 Circuits

Documents:

[Drawing \(PDF\)](#) [RoHS Certificate of Compliance \(PDF\)](#)
[Product Specification PS-36511-001 \(PDF\)](#)

General

Product Family	Backplane Connectors
Series	36511
Application	Backplane
Comments	No Mounting Clip
Component Type	PCB Header
Overview	din_41612
Product Name	IEC 603-2/DIN 41612
Style	R

Physical

Circuits (Loaded)	96
Circuits (maximum)	96
Circuits Detail	1,2,3,...32; a+b+c
Color - Resin	Gray
Durability (mating cycles max)	500
First Mate / Last Break	No
Guide to Mating Part	No
Keying to Mating Part	None
Material - Metal	Brass
Material - Plating Mating	Gold
Material - Plating Termination	Tin
Material - Resin	Polyester
Number of Columns	32
Number of Pairs	Open Pin Field
Number of Rows	3
Orientation	Vertical
PC Tail Length (in)	0.177 In
PC Tail Length (mm)	4.50 mm
PCB Locator	No
PCB Retention	Yes
PCB Thickness Recommended (in)	0.062 In, 0.125 In
PCB Thickness Recommended (mm)	1.60 mm, 3.20 mm
Packaging Type	Carton
Pitch - Mating Interface (in)	0.100 In
Pitch - Mating Interface (mm)	2.54 mm
Pitch - Term. Interface (in)	0.100 In
Pitch - Term. Interface (mm)	2.54 mm
Plating min: Mating (µin)	43
Plating min: Mating (µm)	1.10
Polarized to PCB	No
Stackable	No
Surface Mount Compatible (SMC)	No
Temperature Range - Operating	-55°C to +125°C

Electrical

EU RoHS **China RoHS**

Compliance Status

Not Reviewed

REACH SVHC

Not Reviewed

Halogen-Free

Status

Not Reviewed

Need more information on product environmental compliance?

Email productcompliance@molex.com
 For a multiple part number RoHS Certificate of Compliance, [click here](#)

Please visit the [Contact Us](#) section for any non-product compliance questions.

Search Parts in this Series

[36511Series](#)

Current - Maximum per Contact	1A
Data Rate	622.0 Mbps
Voltage - Maximum	1000V (RMS)

Material Info

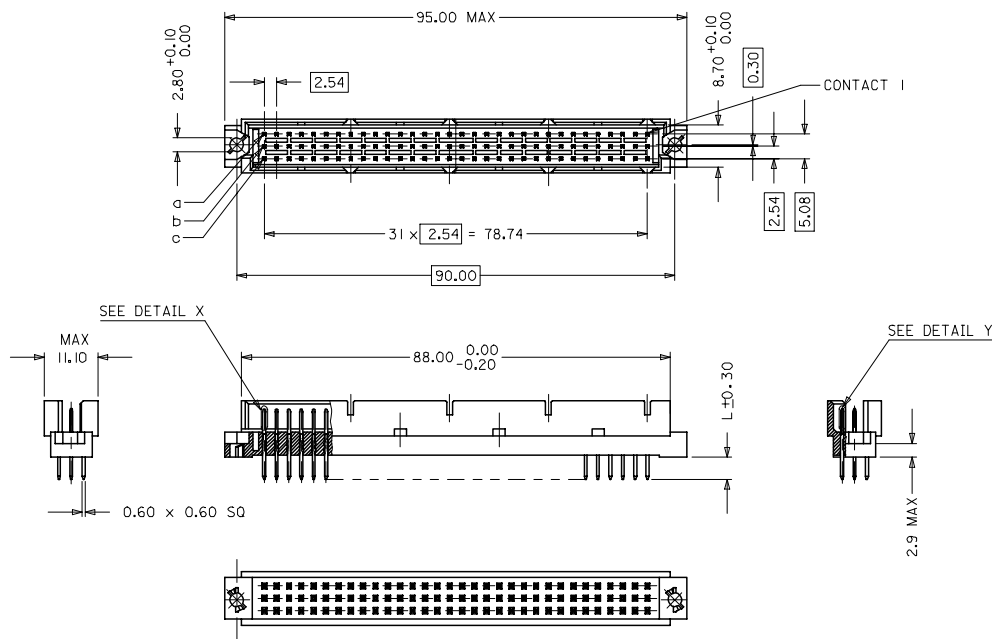
Old Part Number	MMB1402R960
-----------------	-------------

Reference - Drawing Numbers

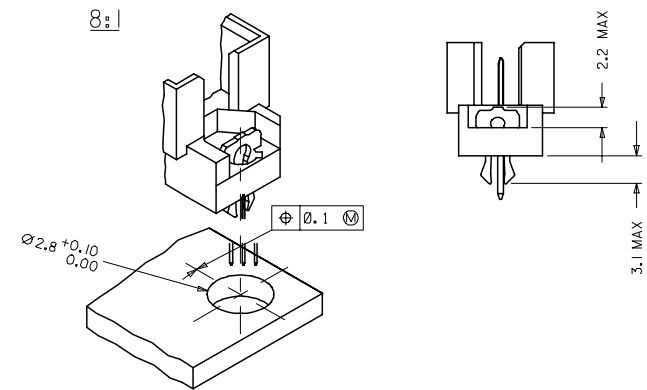
Packaging Specification	PK-36511-001
Product Specification	PS-36511-001
Sales Drawing	SD-36511-001

This document was generated on 05/13/2010

PLEASE CHECK WWW.MOLEX.COM FOR LATEST PART INFORMATION



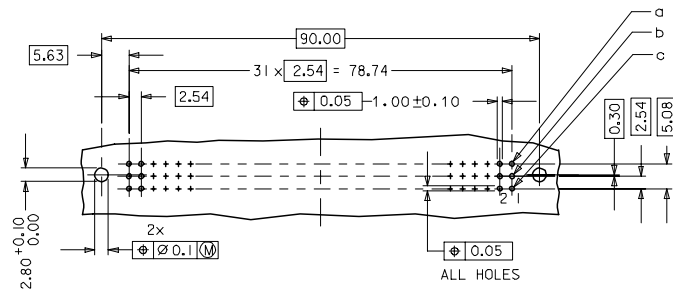
WITH MOUNTING CLIPS



NOTES:

- 1) MATERIALS: THERMOPLASTIC POLYESTER, GLASS FILLED, UL94V-0, COLOUR: PEBBLE GREY RAL 7032
TERMINAL - BRASS
MOUNTING CLIP: STEEL
- 2) FINISH: TERMINAL:-
CONTACT AREA
1. PERFORMANCE LEVEL 1: SELECTIVE GOLD (Au), THICKNESS = 1.1 MICROMETER
OVER NICKEL, THICKNESS = 1.25 MICROMETER
2. PERFORMANCE LEVEL 2: SELECTIVE GOLD (Au), THICKNESS = 0.6 MICROMETER
OVER NICKEL, THICKNESS = 1.25 MICROMETER
3. PERFORMANCE LEVEL 3: SELECTIVE GOLD (Au), THICKNESS = 0.3 MICROMETER
OVER NICKEL, THICKNESS = 1.25 MICROMETER
TERMINATION AREA:
SELECTIVE TIN, THICKNESS = 2.5 MICROMETER
OVER NICKEL, THICKNESS = 1.25 MICROMETER OVERALL
- 3) MOUNTING CLIP:-
TIN (Sn), THICKNESS = 5-10 MICROMETER,
OVER NICKEL (Ni), THICKNESS = 2.5 MICROMETER
- 4) FOR NON MOUNTING CLIP OPTION, CONNECTOR TO BE SECURED WITH
RIVETS: 2 TUBULAR RIVETS 2.5 x 0.3 ... DIN 7340
SCREWS: 2 CHEESEHEAD SCREWS M2.5 x ... DIN 84 AND 2 HEXAGONAL NUTS M2.5 DIN 934
- 5) MATERIAL NUMBER, BATCH CODE, UL AND CSA MARKING
TO BE PRINTED ON THE CONNECTOR
- 6) CUT FACE OF TIP WITHOUT PLATING PERMITTED
- 7) PRODUCT SPECIFICATION PS : 36511-001

RECOMMENDED PCB LAYOUT
COMPONENT SIDE

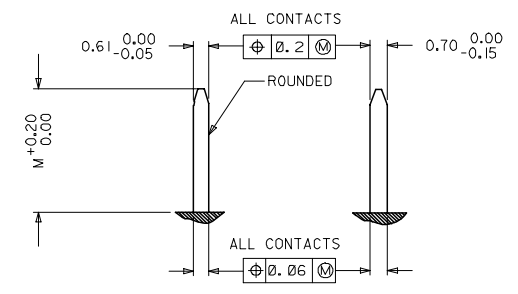


RoHS COMPLIANT

EC NO: 12007-0044 DRAWING TITLE: 206611010 CHK: SSIJHR 20661011 APPR: SSIJHR 20661017 REV:	QUALITY SYMBOLS	GENERAL TOLERANCES (UNLESS SPECIFIED)	DRIMENSION STYLE	SCALE	DESIGN UNITS	THIRD ANGLE PROJECTION ASSEMBLY, DIN 41612 R MALE 96 POS SOLDER L = 2.9 & 4.5 MOLEX INCORPORATED DOCUMENT NO: SD-36511-001 SHEET NO: 1 OF 2
	$\nabla=0$ $\nabla=0$	(mm) INCH 4 PLACES ± --- ± --- 3 PLACES ± 0.05 ± --- 2 PLACES ± 0.1 ± --- 1 PLACE ± 0.15 ± --- ANGULAR ± 2 °	MM ONLY DRAWN BY: SS DATE: 1999/09/24 CHECKED BY: GJLOWE DATE: 1999/09/24 APPROVED BY: GJLOWE DATE: 1999/09/24	2:1	METRIC	
	DRAFT WHERE APPLICABLE MUST REMAIN WITHIN DIMENSIONS	SEE CHART	MATERIAL NO. DATE: 1999/09/24			
	THIS DRAWING CONTAINS INFORMATION THAT IS PROPRIETARY TO MOLEX INCORPORATED AND SHOULD NOT BE USED WITHOUT WRITTEN PERMISSION					

	20	19	18	17	16	15	14	13	12	11	10	9	8	7	6	5	4	3	2	1
	MATERIAL No.	MOLEX ENG No.	PERF LEVEL	PLATING	CONTACT SEQUENCE/ROW	DIM "L" MM	MOUNTING CLIP	FMLB												
M	36511-0001	MM-B1401-R960	1	Au + Ni	1,2,3...32 a+b+c	2.9	NO	NO												
L	36511-0002	MM-B1501-R960	2	Au + Ni	1,2,3...32 a+b+c	2.9	NO	NO												
K	36511-0003	MM-B1601-R960	3	Au + Ni	1,2,3...32 a+b+c	2.9	NO	NO												
J	36511-0007	MM-B1401-R910	1	Au + Ni	1,2,3...32 a+b+c	2.9	YES	NO												
I	36511-0008	MM-B1501-R910	2	Au + Ni	1,2,3...32 a+b+c	2.9	YES	NO												
H	36511-0009	MM-B1601-R910	3	Au + Ni	1,2,3...32 a+b+c	2.9	YES	NO												
G	36511-0013	MM-B1401-R930	1	Au + Ni	1,2,3...32 a+b+c	2.9	NO	1,32a 1,32b 1,32c												
F	36511-0014	MM-B1501-R930	2	Au + Ni	1,2,3...32 a+b+c	2.9	NO	1,32a 1,32b 1,32c												
E	36511-0015	MM-B1601-R930	3	Au + Ni	1,2,3...32 a+b+c	2.9	NO	1,32a 1,32b 1,32c												
D	36511-0019	MM-B1401-R950	1	Au + Ni	1,2,3...32 a+b+c	2.9	YES	1,32a 1,32b 1,32c												
C	36511-0020	MM-B1501-R950	2	Au + Ni	1,2,3...32 a+b+c	2.9	YES	1,32a 1,32b 1,32c												
B	36511-0021	MM-B1601-R950	3	Au + Ni	1,2,3...32 a+b+c	2.9	YES	1,32a 1,32b 1,32c												
A	36511-0025	MM-B1402-R960	1	Au + Ni	1,2,3...32 a+b+c	4.5	NO	NO												
	36511-0026	MM-B1502-R960	2	Au + Ni	1,2,3...32 a+b+c	4.5	NO	NO												
	36511-0027	MM-B1602-R960	3	Au + Ni	1,2,3...32 a+b+c	4.5	NO	NO												
	36511-0031	MM-B1402-R910	1	Au + Ni	1,2,3...32 a+b+c	4.5	YES	NO												
	36511-0032	MM-B1502-R910	2	Au + Ni	1,2,3...32 a+b+c	4.5	YES	NO												
	36511-0033	MM-B1602-R910	3	Au + Ni	1,2,3...32 a+b+c	4.5	YES	NO												
	36511-0037	MM-B1402-R930	1	Au + Ni	1,2,3...32 a+b+c	4.5	NO	1,32a 1,32b 1,32c												
	36511-0038	MM-B1502-R930	2	Au + Ni	1,2,3...32 a+b+c	4.5	NO	1,32a 1,32b 1,32c												
	36511-0039	MM-B1602-R930	3	Au + Ni	1,2,3...32 a+b+c	4.5	NO	1,32a 1,32b 1,32c												
	36511-0043	MM-B1402-R950	1	Au + Ni	1,2,3...32 a+b+c	4.5	YES	1,32a 1,32b 1,32c												
	36511-0044	MM-B1502-R950	2	Au + Ni	1,2,3...32 a+b+c	4.5	YES	1,32a 1,32b 1,32c												
	36511-0045	MM-B1602-R950	3	Au + Ni	1,2,3...32 a+b+c	4.5	YES	1,32a 1,32b 1,32c												

DETAILY DETAILX



PRE MATING CONTACTS	5.4
NORMAL CONTACTS	4.8
	M

RoHS COMPLIANT

EC No: 2007/0044 DRWSATTI/MARAD 2006/10/10 CHK/SS/SHR 2006/10/11 APPR/SS/SHR 2006/10/17	QUALITY SYMBOLS ▽=0 ▽=0	GENERAL TOLERANCES (UNLESS SPECIFIED) 4 PLACES ± 0.15 3 PLACES ± 0.05 2 PLACES ± 0.1 1 PLACE ± 0.15 ANGULAR ± 2°	DIMENSION STYLE MM ONLY	SCALE 2:1	DESIGN UNITS METRIC	THIRD ANGLE PROJECTION
	DRAWN BY SS 1999/09/24	CHECKED BY GJLOWE 1999/09/24	APPROVED BY GJLOWE 1999/09/24	MATERIAL NO. SEE CHART	DOCUMENT NO. SD-36511-001	SHEET NO. 2 OF 2