

17JE Series Hood Kit

17JE Series



※ The connectors which are shown in the picture are supplied separately.



17JE-25H-1x-CF



17JE-09H-1x-CF



17JE-25LH-1x-CF

FEATURE

- Hood is made with ABS resin. It is light-weight and compact
- Hood is metalized finish for EMI shield.

MATERIAL/FINISH

ABS Resin / Ni Plating



▶ Connector and Hood Kit

17JE(Solder Termination Type) and Hood kit Combination Part Number

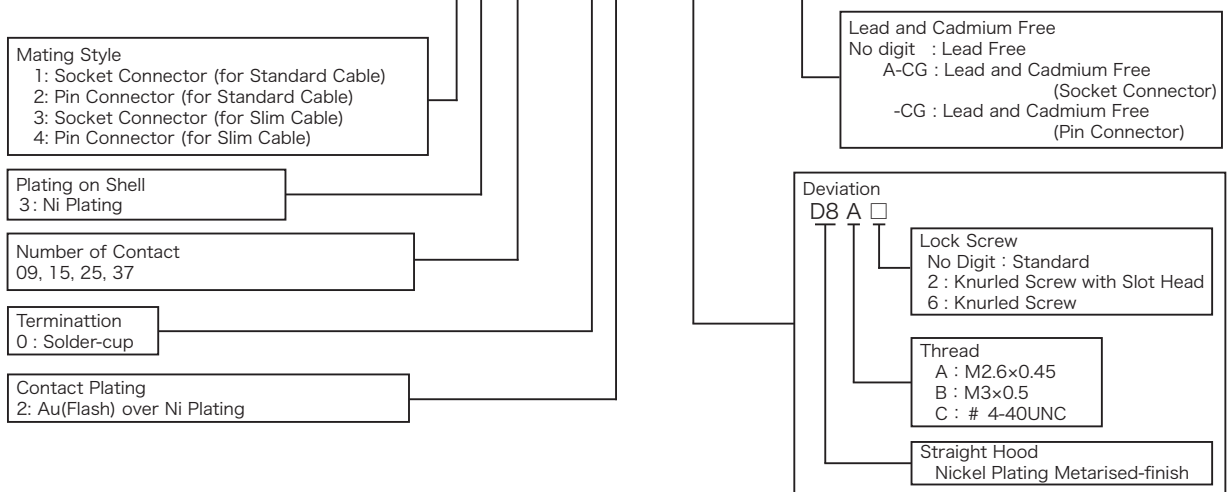
Applicable Connector

- 17JE Series Solder Termination
- 17DE Series Crimp Termination
- 17HE Series Crimp Termination

Connector with Cable Hood Kit

EMI Shielded

17JE-13250-02(D8Ax)A-CG



Regarding the detail of 17JE solder type, please refer to 17JE Solder type catalogue.

Regarding the combination with 17DE, 17HE series, please refer to the 17DE and 17HE series catalogue.

© Specifications and/or dimensions in this catalogue are subject to change without notice.
Your catalogue checking the latest specifications with our drawings would be highly appreciated.

▶ Straight Hood
17JE-25H2-1A □ -CF

Number of Contact: 9, 15, 25, 37

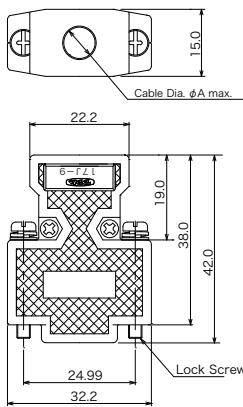
 Hood Style
 H : Straight Hood
 H2: Straight Hood for Slim Cable

 Hood Finish
 1 : Ni Plating

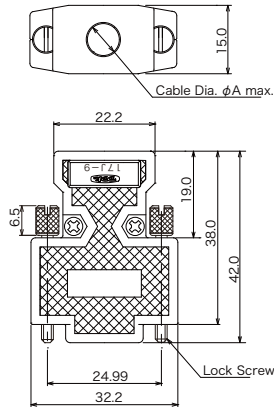
CF: Lead Free and Cadmium Free

 Lock Screw
 No Digit : Standard
 2 : Knurled Screw with Slot Head
 4 : Knurled Screw

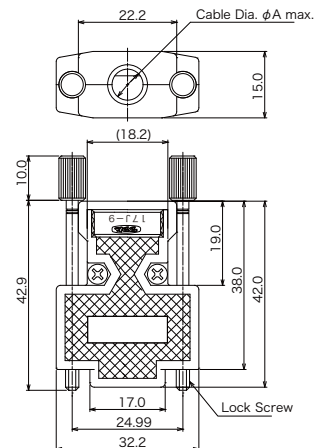
 Thread Size
 A : M2.6×0.45
 B : M3×0.5
 C : # 4-40UNC

9 Contacts


17JE-09H-1 □ -CF

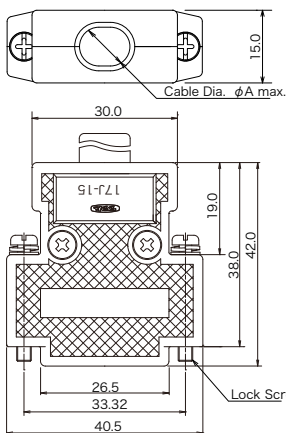


17JE-09H-1 □ 2-CF

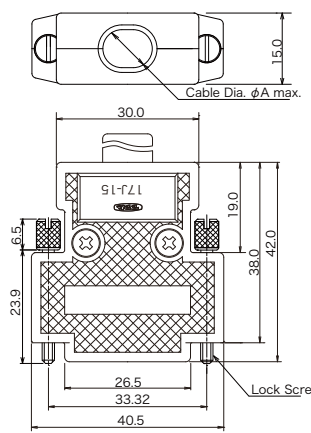


17JE-09H-1 □ 4-CF

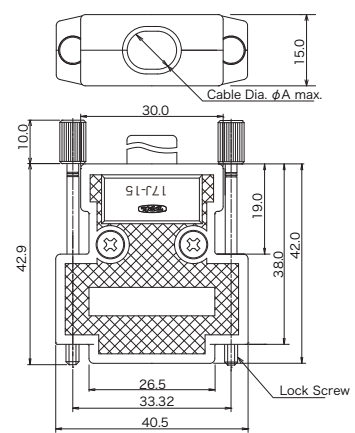
Part Number	Cable Dia. φ A
17JE-09H-1 □ □ -CF	φ 7.5 max.
17JE-09H2-1 □ □ -CF	φ 5.1 max.

15 Contacts


17JE-15H-1 □ -CF

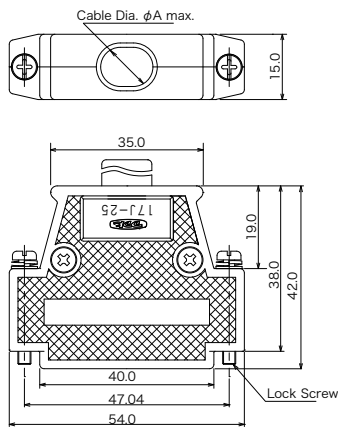


17JE-15H-1 □ 2-CF

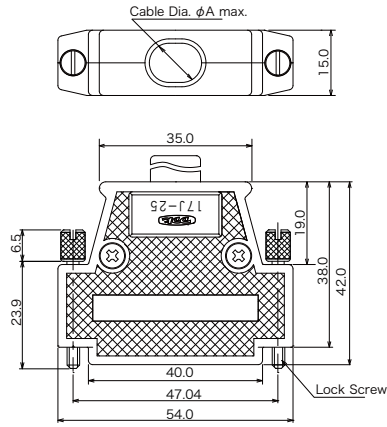


17JE-15H-1 □ 4-CF

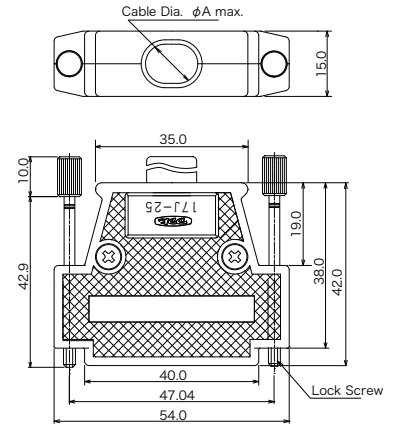
Part Number	Cable Dia. φ A
17JE-15H-1 □ □ -CF	φ 8.0 max.
17JE-15H2-1 □ □ -CF	φ 5.7 max.

▶ Strsight Type Hood
25 Contacts


17JE-25H-1 □ -CF

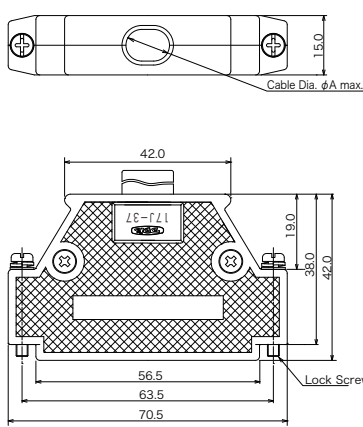


17JE-25H-1 □ 2-CF

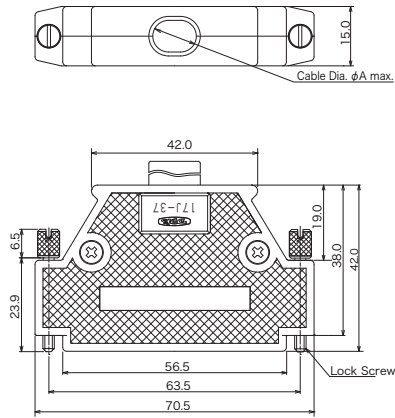


17JE-25H-1 □ 4-CF

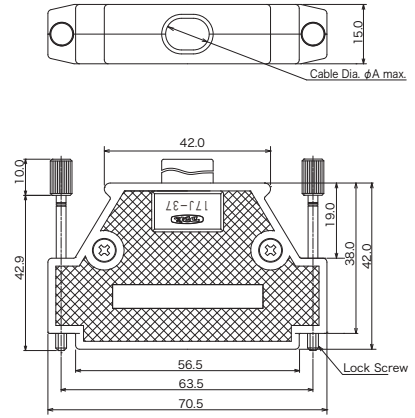
Part Number	Cable Dia. φ A
17JE-25H-1 □□-CF	φ 9.0 max.
17JE-25H2-1 □□-CF	φ 6.6 max.

37 Contacts


17JE-37H-1 □ -CF



17JE-37H-1 □ 2-CF



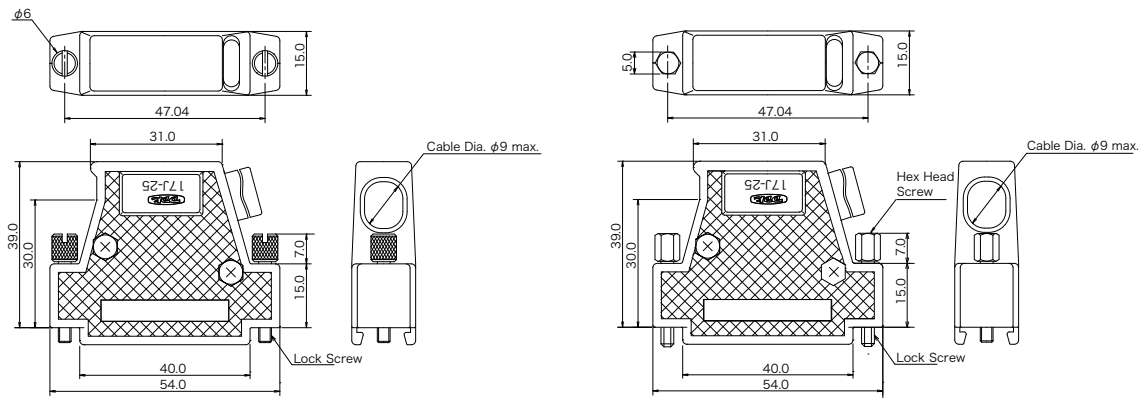
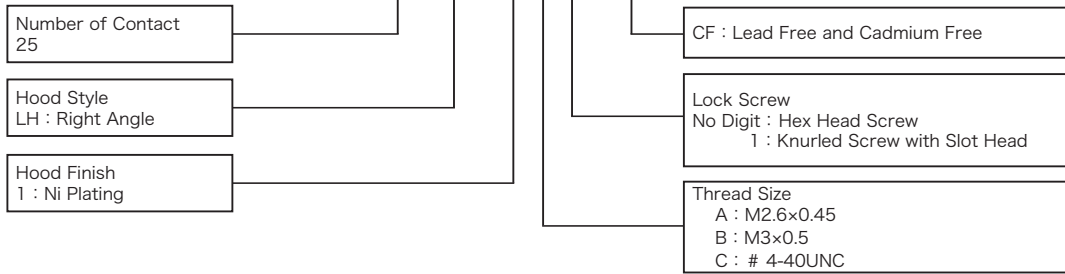
17JE-37H-1 □ 4-CF

Part Number	Cable Dia. φ A
17JE-37H-1 □□-CF	φ 10.5 max.
17JE-37H2-1 □□-CF	φ 7.4 max.

▶ Right Angle Hood

※ This hood is not applicable to 17DE-13250-C and 17DE-23250-C.

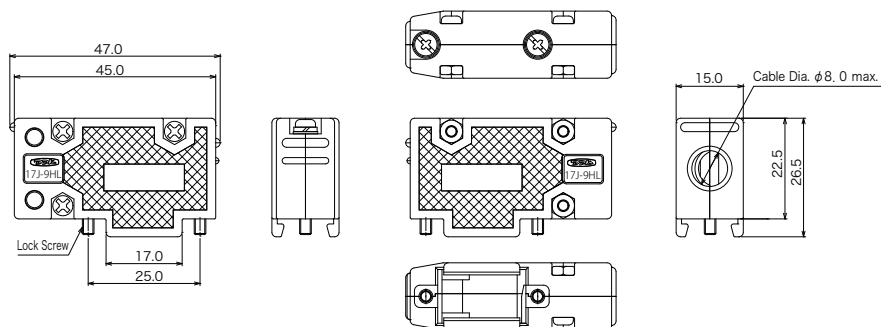
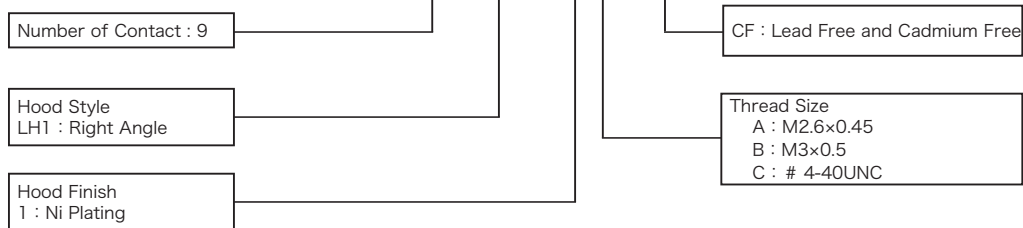
17JE-25LH-1A1-CF



17JE-25LH-1A1-CF

17JE-25LH-1A-CF

17JE-09LH1-1A-CF



Cable to cable connection

- We recommend to use the stud when a pair of cable connectors are mated.

