

PLEASE CHECK WWW.MOLEX.COM FOR LATEST PART INFORMATION

Part Number: [1050400001](#)
Status: **Active**
Overview: [battery connectors](#)
Description: 2.00mm (.079") Pitch Battery Connector, 3 Circuits, Surface Mount, Contact Width 0.70mm (.028"), with Pegs, Working Height 3.80mm (.150") Lead-free

Documents:

[3D Model](#) [Product Specification PS-105040-001 \(PDF\)](#)
[Drawing \(PDF\)](#) [RoHS Certificate of Compliance \(PDF\)](#)

General

Product Family	PCB Headers
Series	105040
Application	Board-to-Board
Overview	battery connectors
Product Name	Battery Connector, Compression Connector, One Piece

Physical

Breakaway	No
Circuits (Loaded)	3
Circuits (maximum)	3
Color - Resin	Black
Durability (mating cycles max)	10,000
First Mate / Last Break	No
Glow-Wire Compliant	No
Guide to Mating Part	No
Keying to Mating Part	None
Lock to Mating Part	None
Material - Metal	Copper Alloy
Material - Plating Mating	Gold
Material - Plating Termination	Gold
Material - Resin	High Temperature Thermoplastic
Number of Rows	1
Orientation	Vertical
PCB Locator	Yes
PCB Retention	Yes
Packaging Type	Embossed Tape on Reel
Pitch - Mating Interface (in)	0.079 In
Pitch - Mating Interface (mm)	2.00 mm
Pitch - Term. Interface (in)	0.079 In
Pitch - Term. Interface (mm)	2.00 mm
Plating min: Mating (µin)	30
Plating min: Mating (µm)	0.76
Plating min: Termination (µin)	2
Plating min: Termination (µm)	0.05
Polarized to Mating Part	Yes
Polarized to PCB	Yes
Shrouded	No
Stackable	Yes
Temperature Range - Operating	-40°C to +85°C
Termination Interface: Style	Surface Mount

Electrical

Current - Maximum per Contact	1A
Voltage - Maximum	12V DC

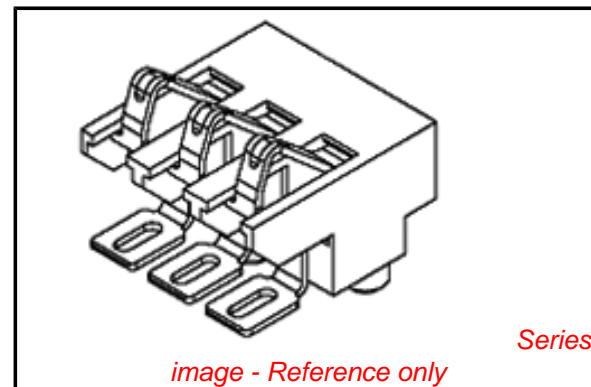


image - Reference only

EU RoHS

**ELV and RoHS
Compliant**
REACH SVHC
 Not Reviewed
**Halogen-Free
Status**

China RoHS



**Need more information on product
environmental compliance?**

Email productcompliance@molex.com
 For a multiple part number RoHS Certificate of Compliance, [click here](#)

Please visit the [Contact Us](#) section for any non-product compliance questions.

Search Parts in this Series
[105040Series](#)

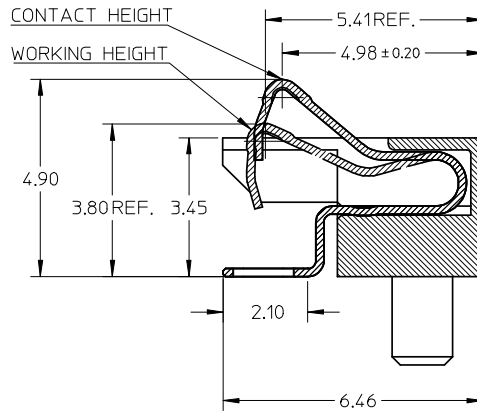
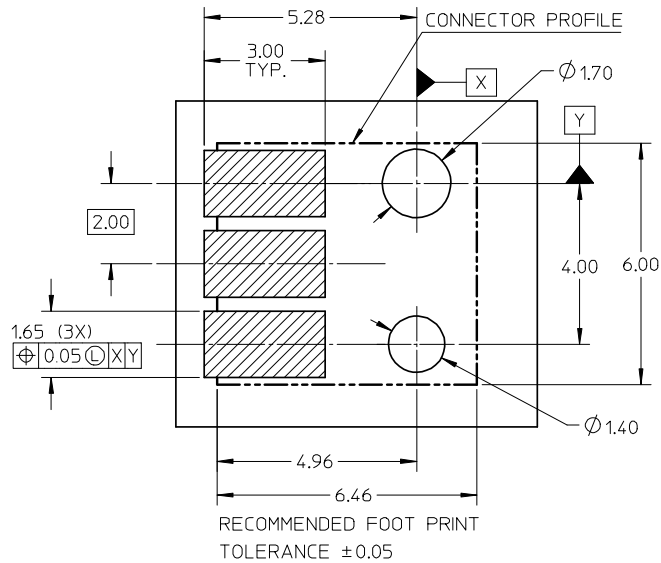
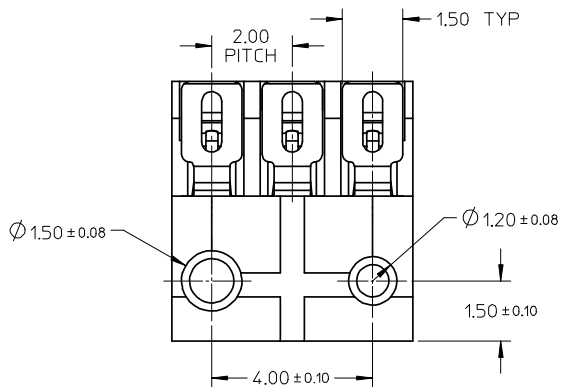
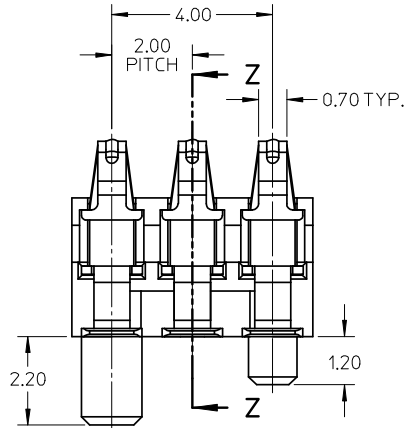
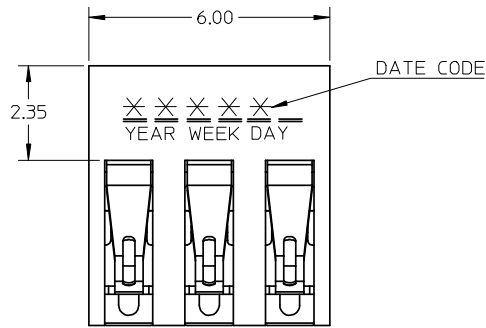
Material Info

Reference - Drawing Numbers

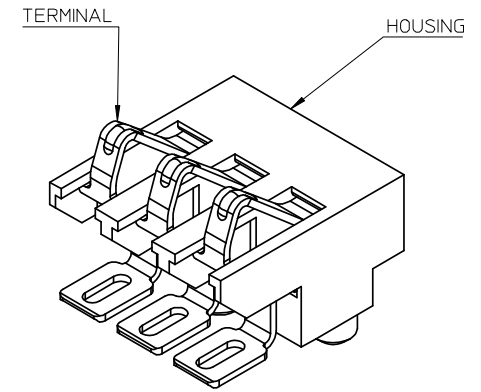
Packaging Specification	PK-105040-001
Product Specification	PS-105040-001
Sales Drawing	SD-105040-001
Test Summary	TS-105040-001

This document was generated on 05/26/2010

PLEASE CHECK WWW.MOLEX.COM FOR LATEST PART INFORMATION



SECTION Z-Z



- NOTE:
- MATERIAL:
HOUSING: HIGH TEMPERATURE THERMAL PLASTIC, COLOR: BLACK.
TERMINAL: COPPER ALLOY, THICKNESS 0.20MM.
 - FINISH:
CONTACT AREA: 0.75 MICRON GOLD MIN OVER 1.25 MICRON NICKEL MIN.
SOLDER AREA: GOLD FLASH OVER 1.25 MICRON NICKEL MIN.
REST AREA: 1.25 MICRON NICKEL MIN.
 - COPLANARITY: 0.1 MAX AMONG THESE SOLDER TAILS.
 - PRODUCT SPECIFICATION: PS-105040-001

RELEASED EC NO: SH2008-0623 DRWN: YWANG91 CHKD: YLZHU APPR: HWANG	2008/06/06 2008/06/06 2008/06/10	QUALITY SYMBOLS ▽=0 ≡=0	GENERAL TOLERANCES (UNLESS SPECIFIED)		DIMENSION STYLE MM ONLY		SCALE 8:1	DESIGN UNITS METRIC	THIRD ANGLE PROJECTION		
				mm	INCH	DRAWN BY YWANG	DATE 2008/03/12	TITLE 2.0MM PITCH 3 CIRCUITS BATTERY CONNECTOR			
				4 PLACES	± ---	± ---	CHECKED BY YLZHU	DATE 2008/03/12	MOLEX INCORPORATED DOCUMENT NO. SD-105040-001 SHEET NO. 1 OF 1		
				3 PLACES	± ---	± ---	APPROVED BY HWANG	DATE 2008/03/12			
		2 PLACES	± 0.15	± ---	MATERIAL NO. 1050400001						
		1 PLACE	± 0.2	± ---	DRAFT WHERE APPLICABLE MUST REMAIN WITHIN DIMENSIONS						
			ANGULAR ± 2 °		THIS DRAWING CONTAINS INFORMATION THAT IS PROPRIETARY TO MOLEX INCORPORATED AND SHOULD NOT BE USED WITHOUT WRITTEN PERMISSION						