

PLEASE CHECK WWW.MOLEX.COM FOR LATEST PART INFORMATION

Part Number: [0906632263](#)
Status: **Active**
Description: 2.54mm (.100") Pitch QF-50™ Vertical, MIL Keying with Latch/Eject Levers, Shrouded Header, 26 Circuits

Documents:

[3D Model](#) [Product Specification PS-99020-0015 \(PDF\)](#)
[Drawing \(PDF\)](#) [RoHS Certificate of Compliance \(PDF\)](#)

Agency Certification

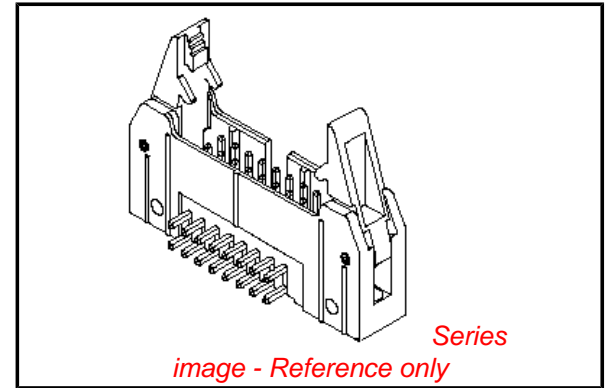
CSA LR19980
 UL E29179

General

Product Family Ribbon Cable / Wire Trap Connectors
 Series [90663](#)
 Comments Eject Levers
 Component Type PCB Header
 Glow-Wire Compliant No
 Product Name QF-50™

Physical

Circuits (Loaded) 26
 Color - Resin Black
 Durability (mating cycles max) 300
 Entry Angle Vertical
 Flammability 94V-0
 Lock to Mating Part None
 Material - Metal Brass
 Material - Plating Mating Gold
 Material - Plating Termination Tin
 Material - Resin Polyester
 Number of Rows 2
 PCB Locator No
 PCB Retention None
 PCB Thickness Recommended (in) 0.063 In
 PCB Thickness Recommended (mm) 1.60 mm
 Packaging Type Tray
 Pitch - Mating Interface (in) 0.100 In
 Pitch - Mating Interface (mm) 2.54 mm
 Pitch - Term. Interface (in) 0.100 In
 Pitch - Term. Interface (mm) 2.54 mm
 Plating min: Mating (µin) 10
 Plating min: Mating (µm) 0.25
 Plating min: Termination (µin) 118
 Plating min: Termination (µm) 3
 Polarized to PCB No
 Shrouded Fully
 Stackable No
 Surface Mount Compatible (SMC) No
 Temperature Range - Operating -25°C to +85°C
 Termination Interface: Style Through Hole
 Wire Insulation Diameter N/A
 Wire Size AWG N/A
 Wire/Cable Type Ribbon Cable



EU RoHS

**ELV and RoHS
Compliant**
REACH SVHC
 Not Reviewed
**Halogen-Free
Status**
Not Reviewed

China RoHS



**Need more information on product
environmental compliance?**

Email productcompliance@molex.com
 For a multiple part number RoHS Certificate of Compliance, [click here](#)

Please visit the [Contact Us](#) section for any non-product compliance questions.

Search Parts in this Series

[90663Series](#)

Mates With

Electrical

Current - Maximum per Contact
Voltage - Maximum

1A
250V AC/DC

Solder Process Data

Lead-free Process Capability

Wave Capable (TH only)

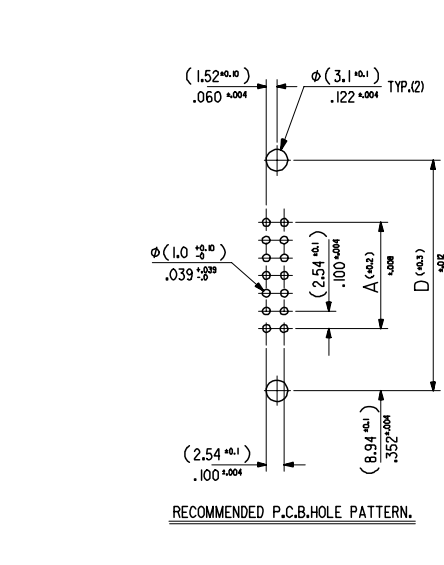
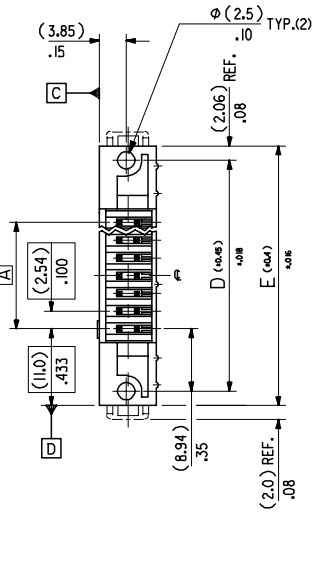
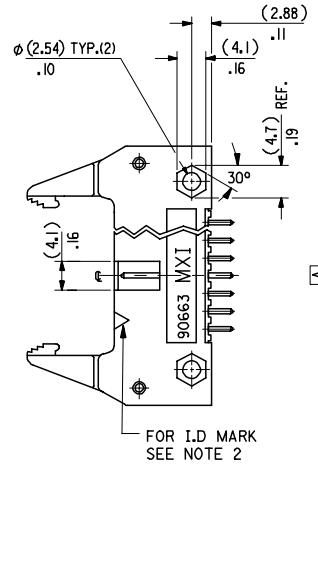
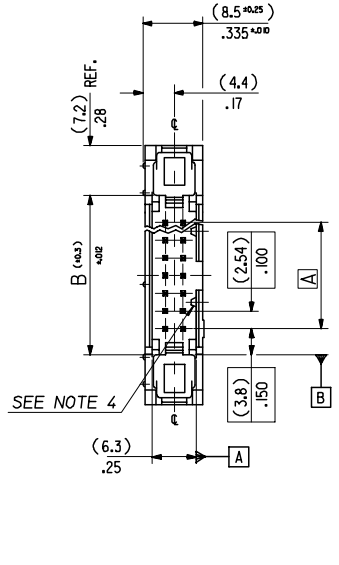
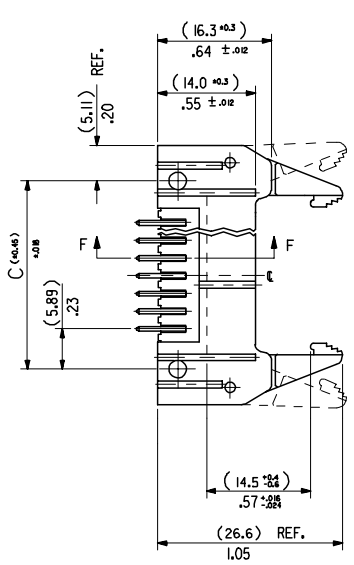
Material Info**Reference - Drawing Numbers**

Product Specification
Sales Drawing

PS-99020-0015
SDA-90663E

This document was generated on 03/16/2010

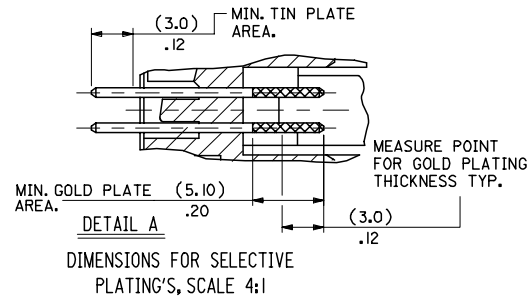
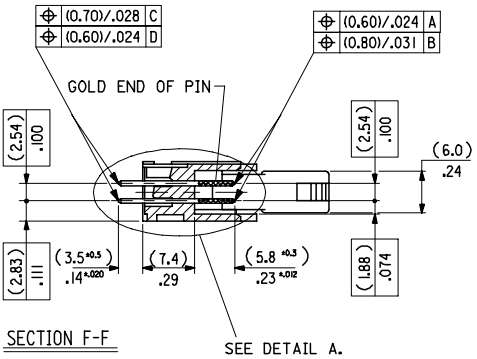
PLEASE CHECK WWW.MOLEX.COM FOR LATEST PART INFORMATION



RECOMMENDED P.C.B.HOLE PATTERN.

SEE NOTE 4

FOR I.D MARK SEE NOTE 2



DIMENSIONS FOR SELECTIVE PLATING'S, SCALE 4:1

(78.74)/3.100	(86.34)/3.400	(90.52)/3.564	(96.62)/3.804	(100.74)/3.966	90663-2643	64
(60.69)/2.400	(68.56)/2.700	(72.74)/2.864	(78.84)/3.104	(82.96)/3.266	90663-2503	50
(48.26)/1.900	(55.86)/2.200	(60.04)/2.364	(66.14)/2.604	(70.26)/2.766	90663-2403	40
(35.56)/1.400	(43.16)/1.700	(47.34)/1.864	(53.44)/2.104	(57.56)/2.266	90663-2303	30
(30.48)/1.200	(38.08)/1.500	(42.26)/1.664	(48.36)/1.904	(52.48)/2.066	90663-2263	26
(22.86)/.900	(30.46)/1.200	(34.64)/1.364	(40.74)/1.604	(44.86)/1.766	90663-2203	20
(17.78)/.700	(25.38)/1.000	(29.56)/1.164	(35.66)/1.404	(39.78)/1.566	90663-2163	16
(15.24)/.600	(22.84)/.900	(27.02)/1.064	(33.12)/1.304	(37.24)/1.466	90663-2143	14
(10.16)/.400	(17.76)/.700	(21.94)/.864	(28.04)/1.104	(32.16)/1.266	90663-2103	10
A	B	C	D	E	ENG. NO. GS3 PLATING	NO. OF CKTS.

NOTES

- MATERIAL
HEADER : GLASS FILLED POLYESTER (UL 94V0), COLOUR - BLACK.
PINS : COPPER ALLOY P SIZE (0.635)/.025
LEVER : GLASS FILLED POLYESTER (UL 94V0), COLOUR - BLACK.
- COLOUR IDENTIFICATION MARK FOR PLATING OPTIONS.
90663-2**3, (1um)/.039uin MIN. NICKEL UNDERPLATE, CONTACT AREA
GS3 PLATING (0.25um)/.010uin MIN. GOLD, SOLDER AREA (3um)/.118uin MIN. TIN. COLOUR MARK: BLUE.
- PRODUCT SPECIFICATION NO. : PS-99020-0015
- THIS RIB IS NOT PRESENT ON 10 & 14 CKT PARTS
- RECOMMENDED PCB THICKNESS 1.6mm

ADDED NOTE 5
EC NO. E2008-0129
DRAWN BY: BRYNES 2007/09/13
CHKD: 2007/09/13
APPR: EOMAHONY 2007/09/14

QUALITY SYMBOLS	GENERAL TOLERANCES (UNLESS SPECIFIED)	DIMENSION STYLE	SCALE	DESIGN UNITS	THIRD ANGLE PROJECTION
▽=0	mm INCH	MM/IN	2:1	METRIC	
▽=0	4 PLACES ± --- ± ---	DRAWN BY DATE			
	3 PLACES ± --- ± .008	CPHEHIR 2000/09/15			
	2 PLACES ± 0.20 ± .008	CHECKED BY DATE			
	1 PLACE ± 0.20 ± ---	ROCONNOR 2000/09/15			
	ANGULAR ± 2 °	APPROVED BY DATE			
		MWILHITE 2000/09/15			
		MATERIAL NO.			
		DOCUMENT NO.			
		SIZE			
		A2			

MOLEX INCORPORATED

SDA-90663E

QF50 SRD HDR VT SRF W/ELV .25AU

SEE CHART

SHEET NO. 5 OF 9