

PLEASE CHECK WWW.MOLEX.COM FOR LATEST PART INFORMATION

Part Number: [0906632203](#)
Status: **Active**
Description: 2.54mm (.100") Pitch QF-50™ Vertical, MIL Keying with Latch/Eject Levers, Shrouded Header, 20 Circuits

Documents:

[3D Model](#) [Product Specification PS-99020-0015 \(PDF\)](#)
[Drawing \(PDF\)](#) [RoHS Certificate of Compliance \(PDF\)](#)

Agency Certification

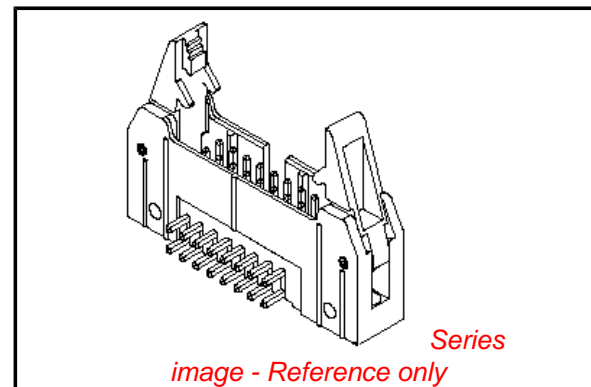
CSA LR19980
 UL E29179

General

Product Family Ribbon Cable / Wire Trap Connectors
 Series [90663](#)
 Comments Eject Levers
 Component Type PCB Header
 Glow-Wire Compliant No
 Product Name QF-50™

Physical

Circuits (Loaded) 20
 Color - Resin Black
 Durability (mating cycles max) 300
 Entry Angle Vertical
 Flammability 94V-0
 Lock to Mating Part None
 Material - Metal Brass
 Material - Plating Mating Gold
 Material - Plating Termination Tin
 Material - Resin Polyester
 Number of Rows 2
 PCB Locator No
 PCB Retention None
 PCB Thickness Recommended (in) 0.063 In
 PCB Thickness Recommended (mm) 1.60 mm
 Packaging Type Tray
 Pitch - Mating Interface (in) 0.100 In
 Pitch - Mating Interface (mm) 2.54 mm
 Pitch - Term. Interface (in) 0.100 In
 Pitch - Term. Interface (mm) 2.54 mm
 Plating min: Mating (µin) 10
 Plating min: Mating (µm) 0.25
 Plating min: Termination (µin) 118
 Plating min: Termination (µm) 3
 Polarized to PCB No
 Shrouded Fully
 Stackable No
 Surface Mount Compatible (SMC) No
 Temperature Range - Operating -25°C to +85°C
 Termination Interface: Style Through Hole
 Wire Insulation Diameter N/A
 Wire Size AWG N/A
 Wire/Cable Type Ribbon Cable



EU RoHS

**ELV and RoHS
Compliant**
REACH SVHC
 Not Reviewed
**Halogen-Free
Status**
 Not Reviewed

China RoHS



**Need more information on product
environmental compliance?**

Email productcompliance@molex.com
 For a multiple part number RoHS Certificate of Compliance, [click here](#)

Please visit the [Contact Us](#) section for any non-product compliance questions.

Search Parts in this Series

[90663Series](#)

Mates With

Electrical

Current - Maximum per Contact
Voltage - Maximum

1A
250V AC/DC

Solder Process Data

Lead-free Process Capability

Wave Capable (TH only)

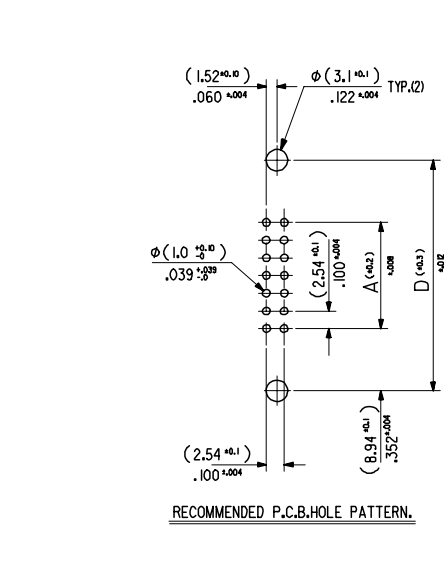
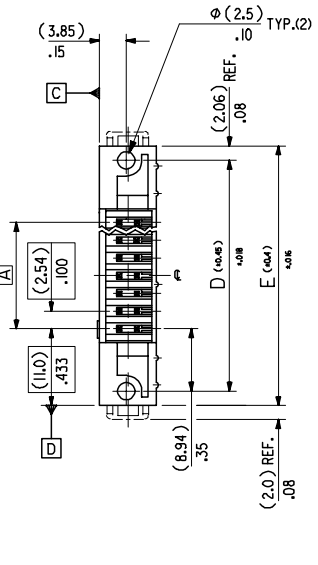
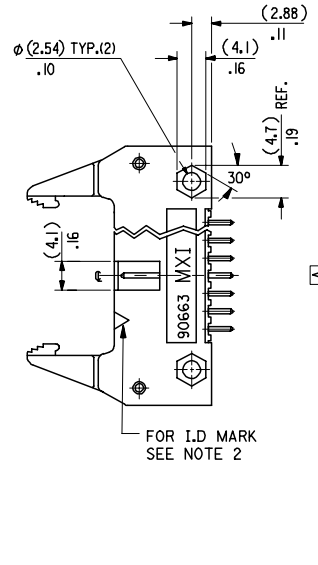
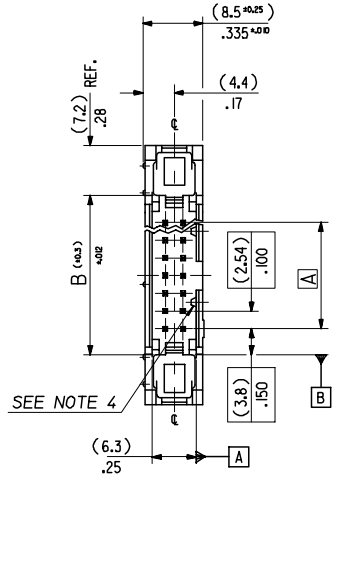
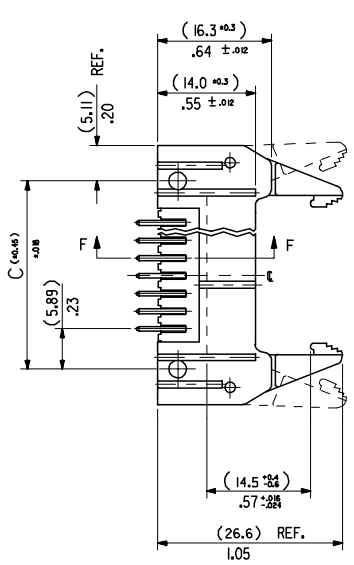
Material Info**Reference - Drawing Numbers**

Product Specification
Sales Drawing

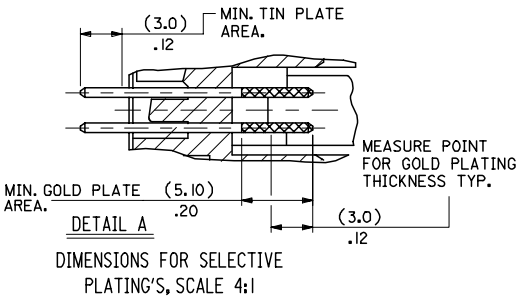
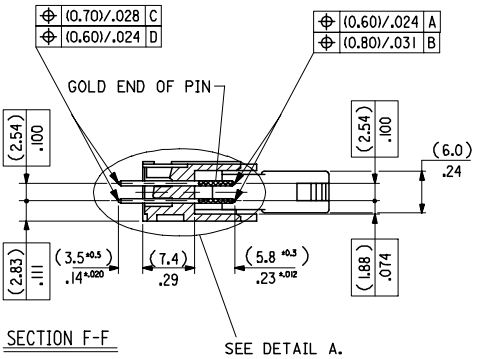
PS-99020-0015
SDA-90663E

This document was generated on 03/16/2010

PLEASE CHECK WWW.MOLEX.COM FOR LATEST PART INFORMATION



RECOMMENDED P.C.B.HOLE PATTERN.



(78.74)/3.100	(86.34)/3.400	(90.52)/3.564	(96.62)/3.804	(100.74)/3.966	90663-2643	64
(60.69)/2.400	(68.56)/2.700	(72.74)/2.864	(78.84)/3.104	(82.96)/3.266	90663-2503	50
(48.26)/1.900	(55.86)/2.200	(60.04)/2.364	(66.14)/2.604	(70.26)/2.766	90663-2403	40
(35.56)/1.400	(43.16)/1.700	(47.34)/1.864	(53.44)/2.104	(57.56)/2.266	90663-2303	30
(30.48)/1.200	(38.08)/1.500	(42.26)/1.664	(48.36)/1.904	(52.48)/2.066	90663-2263	26
(22.86)/.900	(30.46)/1.200	(34.64)/1.364	(40.74)/1.604	(44.86)/1.766	90663-2203	20
(17.78)/.700	(25.38)/1.000	(29.56)/1.164	(35.66)/1.404	(39.78)/1.566	90663-2163	16
(15.24)/.600	(22.84)/.900	(27.02)/1.064	(33.12)/1.304	(37.24)/1.466	90663-2143	14
(10.16)/.400	(17.76)/.700	(21.94)/.864	(28.04)/1.104	(32.16)/1.266	90663-2103	10
A	B	C	D	E	ENG. NO. GS3 PLATING	NO. OF CKTS.

NOTES

- MATERIAL
HEADER : GLASS FILLED POLYESTER (UL 94V0), COLOUR - BLACK.
PINS : COPPER ALLOY P SIZE (0.635)/.025
LEVER : GLASS FILLED POLYESTER (UL 94V0), COLOUR - BLACK.
- COLOUR IDENTIFICATION MARK FOR PLATING OPTIONS.
90663-2**3, (1um)/.039uin MIN. NICKEL UNDERPLATE, CONTACT AREA
GS3 PLATING (0.25um)/.010uin MIN. GOLD, SOLDER AREA (3um)/.118uin MIN.
TIN, COLOUR MARK: BLUE.
- PRODUCT SPECIFICATION NO. : PS-99020-0015
- THIS RIB IS NOT PRESENT ON
10 & 14 CKT PARTS
- RECOMMENDED PCB THICKNESS 1.6mm

ADDED NOTE 5
EC NO. E2008-0129
DRAWN BY: BRINES 2007/09/13
CHKD: 2007/09/13
APPR: EOMAHONY 2007/09/14

QUALITY SYMBOLS	GENERAL TOLERANCES (UNLESS SPECIFIED)	
	mm	INCH
▽=0	4 PLACES ± ---	± ---
▽=0	3 PLACES ± ---	± .008
	2 PLACES ± 0.20	± .008
	1 PLACE ± 0.20	± ---
	ANGULAR ± 2 °	

DESCRIPTION
DRAWN BY: CPHEHIR 2000/09/15
CHECKED BY: ROCONNOR 2000/09/15
APPROVED BY: MWILHITE 2000/09/15

THIRD ANGLE PROJECTION

SCALE 2:1 DESIGN UNITS METRIC

TITLE: QF50 SRD HDR VT SRF W/ELV .25AU

MATERIAL NO. SDA-90663E DOCUMENT NO.

MOLEX INCORPORATED

SEE CHART

DRAFT WHERE APPLICABLE MUST REMAIN WITHIN DIMENSIONS

SIZE A2 THIS DRAWING CONTAINS INFORMATION THAT IS PROPRIETARY TO MOLEX INCORPORATED AND SHOULD NOT BE USED WITHOUT WRITTEN PERMISSION

SHEET NO. 5 OF 9