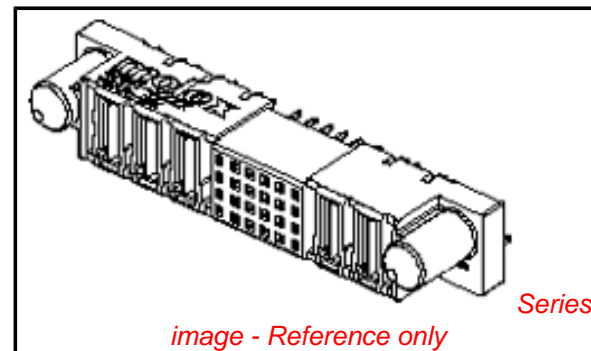


PLEASE CHECK WWW.MOLEX.COM FOR LATEST PART INFORMATION

Part Number: [0876870001](#)
Status: **Active**
Overview: [extreme powerplus ssi](#)
Description: 6.35mm (.250") Pitch, Power, 2.54mm (.100") Pitch, Signal, EXTreme PowerPlus™ DPS P-S-P Receptacle, Through Hole, Vertical, with Beveled Metal Pins, 26 Circuits, Power Alpha 1, Signal 24, Power Beta 1, Lead-free

Documents:

[3D Model](#) [Product Specification PS-87606-002 \(PDF\)](#)
[Drawing \(PDF\)](#) [RoHS Certificate of Compliance \(PDF\)](#)



General

Product Family	PCB Receptacles
Series	87687
Application	Board-to-Board
Overview	extreme powerplus ssi
Product Name	EXTreme PowerPlus™

Physical

Circuits (Loaded)	26
Circuits (maximum)	29
Circuits Detail	Power Alpha 1, Signal 24, Power Beta 1
Color - Resin	Black
Durability (mating cycles max)	100
Glow-Wire Compliant	No
Material - Metal	Phosphor Bronze
Material - Plating Mating	Gold
Material - Plating Termination	Tin
Material - Resin	High Temperature Thermoplastic
Number of Rows	4
Orientation	Vertical
PC Tail Length (in)	0.135 In
PC Tail Length (mm)	3.43 mm
PCB Locator	Yes
PCB Retention	Yes
PCB Thickness Recommended (in)	0.093 In
PCB Thickness Recommended (mm)	2.36 mm
Packaging Type	Tray
Pitch - Mating Interface (in)	0.100 In, 0.179 In, 0.250 In
Pitch - Mating Interface (mm)	2.54 mm, 4.45 mm, 6.35 mm
Pitch - Term. Interface (in)	0.100 In, 0.175 In
Pitch - Term. Interface (mm)	2.54 mm, 4.45 mm
Plating min: Mating (µin)	30.4
Plating min: Mating (µm)	0.76
Plating min: Termination (µin)	101.6
Plating min: Termination (µm)	2.54
Polarized to Mating Part	Yes
Polarized to PCB	Yes
Stackable	No
Surface Mount Compatible (SMC)	Yes
Temperature Range - Operating	-20°C to +105°C
Termination Interface: Style	Through Hole, Through Hole - Compliant Pin

Electrical

Current - Maximum per Contact	2.5A, 30A
Voltage - Maximum	50V DC

EU RoHS

ELV and RoHS Compliant
REACH SVHC
 Not Reviewed
Halogen-Free Status

China RoHS



Halogen-Free

Need more information on product environmental compliance?

Email productcompliance@molex.com
 For a multiple part number RoHS Certificate of Compliance, [click here](#)

Please visit the [Contact Us](#) section for any non-product compliance questions.

Search Parts in this Series

[87687Series](#)

Mates With

[87658](#) EXTreme PowerPlus™ Header

Solder Process Data

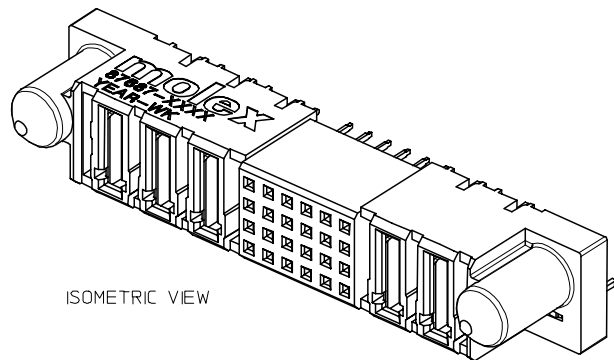
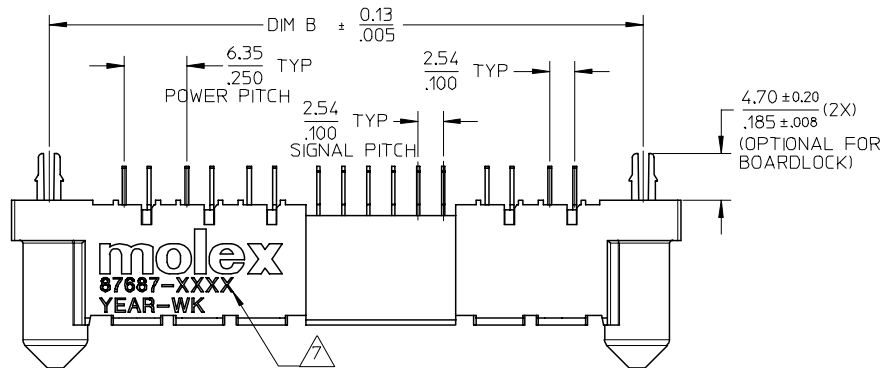
Duration at Max. Process Temperature (seconds)	10
Lead-free Process Capability	SMC & Wave Capable (TH only)
Max. Cycles at Max. Process Temperature	3
Process Temperature max. C	260

Material Info**Reference - Drawing Numbers**

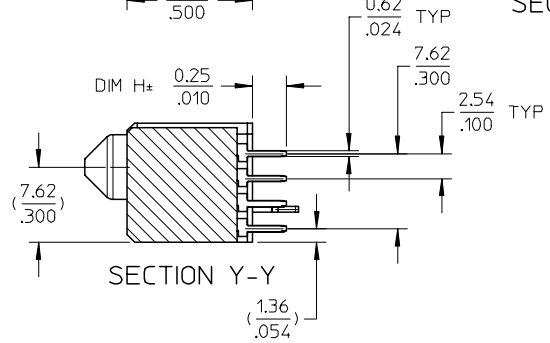
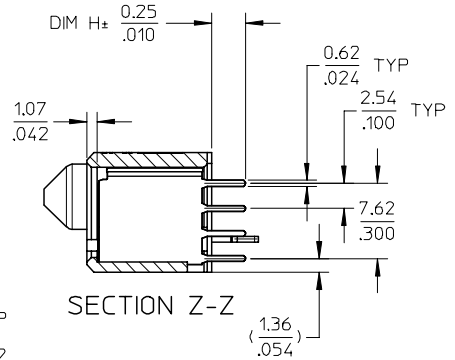
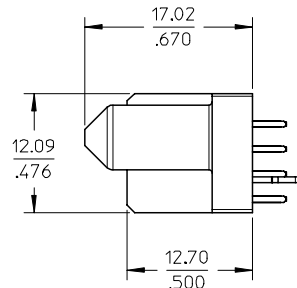
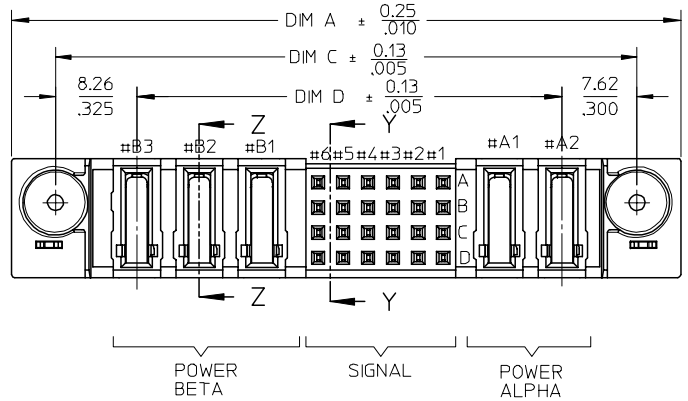
Application Specification	AS-87631-018
Product Specification	PS-87606-002
Sales Drawing	SD-87687-001

This document was generated on 05/21/2010

PLEASE CHECK WWW.MOLEX.COM FOR LATEST PART INFORMATION



ISOMETRIC VIEW



- NOTES:
- MATERIAL:-
HOUSING - LCP, GLASS-FILLED, UL 94V-0, COLOR: BLACK.
SIGNAL AND POWER TERMINAL - COPPER ALLOY
 - FINISH:
SIGNAL AND POWER CONTACTS
0.76um MIN. GOLD AT CONTACT AREA AND
2.54um MIN. TIN AT SOLDER TAIL AREA
OVER 1.27um MINIMUM NICKEL(Ni) UNDERPLATE.
 - PRODUCT SPECIFICATIONS: PS-87606-002.
 - COMPONENT STAY AWAY ZONE FROM THE CONNECTOR.
 - PCB NOTE FOR DIAMETER 1.02/0.040 PLATED HOLE.
-DRILLED HOLE SIZE IS 1.151/0.04536.
-PLATED WITH 0.007/0.003MIN. TIN OVER 0.03/0.001 TO ACHIEVE 1.02±0.08/0.040±.003 HOLE
 - ALL TERMINAL TIPS ARE DESIGNED WITH EXPOSED BASE COPPER.
THIS IS CREATED BY FINAL CUTTING PROCESS AFTER PLATING.
 - MANUFACTURING LOGO, PART NUMBER AND YEAR-WEEK CODE.

PDR#S00-1373-00-00
EC NO: S2007-0209
DRWN:GMENARLY 2006/09/15
CHKD:M LONG 2006/09/15
APPR:SKTOH 2006/10/09

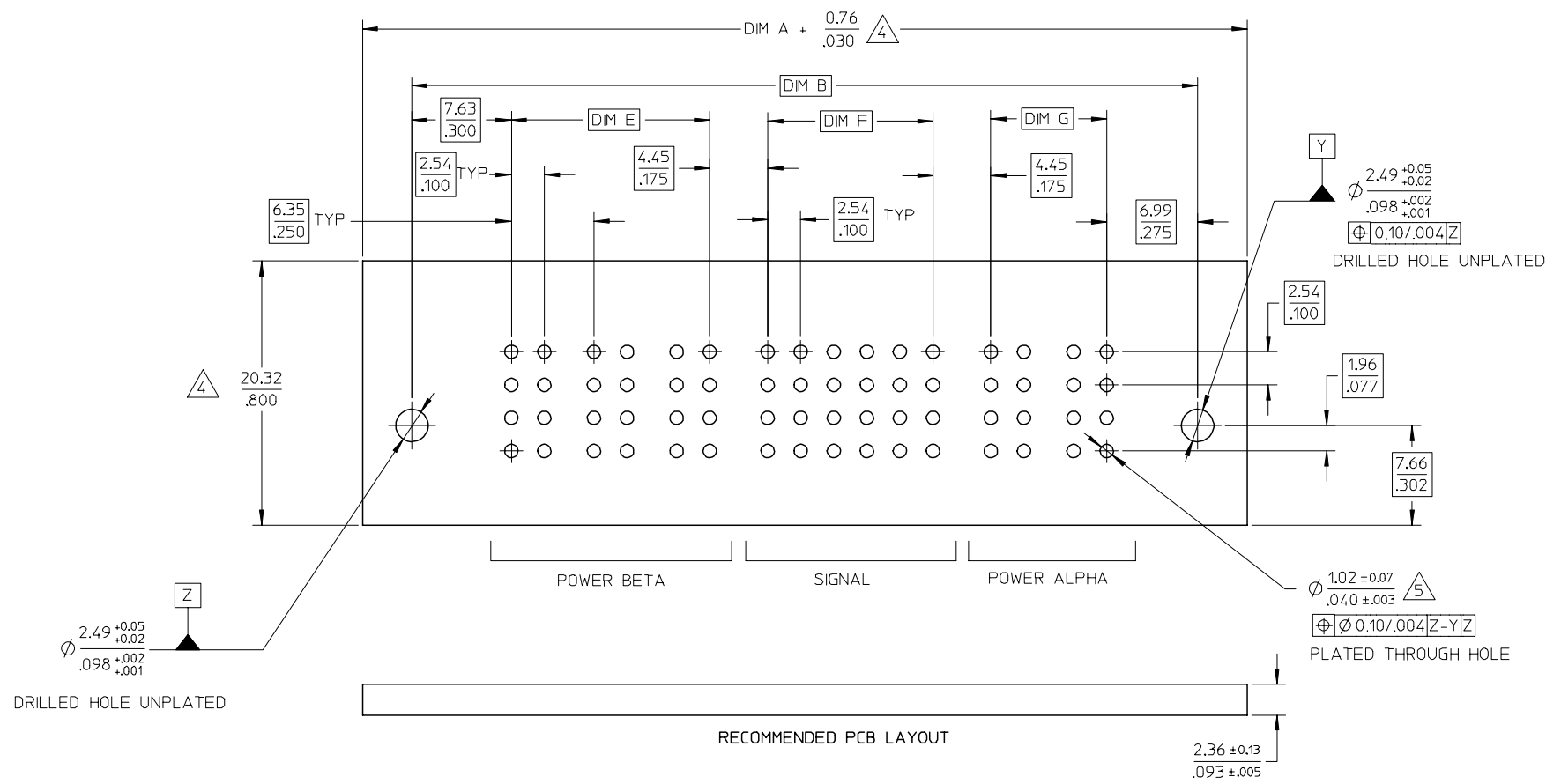
QUALITY SYMBOLS	▽=0
	△=0

GENERAL TOLERANCES (UNLESS SPECIFIED)	
	mm INCH
4 PLACES	± --- ± ---
3 PLACES	± --- ± .005
2 PLACES	± 0.13 ± ---
1 PLACE	± --- ± ---
ANGULAR ± 3 °	
DRAFT WHERE APPLICABLE MUST REMAIN WITHIN DIMENSIONS	

DIMENSION STYLE MM/IN	
DRAWN BY	DATE
BHLOW	2001/09/11
CHECKED BY	DATE
PTL IM	2001/09/12
APPROVED BY	DATE
SKTOH	2001/09/14
MATERIAL NO.	
SEE TABLE	
SIZE	A3

SCALE NTS	DESIGN UNITS METRIC	THIRD ANGLE PROJECTION
TITLE		
DPS CONNECTOR RECEPTACLE, P-S-P CONFIG VERTICAL T/H, BOARDLOCK		
MOLEX INCORPORATED		
MATERIAL NO.	DOCUMENT NO.	SHEET NO.
SEE TABLE	SD-87687-001	1 OF 2
THIS DRAWING CONTAINS INFORMATION THAT IS PROPRIETARY TO MOLEX INCORPORATED AND SHOULD NOT BE USED WITHOUT WRITTEN PERMISSION		

10	9	8	7	6	5	4	3	2	1			
PART NUMBER	P-S-P CONFIGURATION			DIM A	DIM B	DIM C	DIM D	DIM E	DIM F	DIM G	BOARDLOCK OPTION	PACKAGING
	POWER ALPHA	SIGNAL	POWER BETA									
87687-0001	1	24	1	48.90 1.925	41.28 1.625	40.01 1.575	24.13 .950	2.54 .100	12.70 .500	2.54 .100	YES	TRAY



PDR#S00-1373-00-00 EC NO: S2007-0209 DRWN:GMENARLY 2006/09/15 CHKD:MLONG 2006/09/15 APPR:SKTOH 2006/10/09	QUALITY SYMBOLS ▽=0 ▽=0	GENERAL TOLERANCES (UNLESS SPECIFIED)		DIMENSION STYLE MM/IN		SCALE NTS	DESIGN UNITS METRIC	THIRD ANGLE PROJECTION		
		4 PLACES ± --- ± ---	3 PLACES ± --- ± .005	2 PLACES ± 0.13 ± ---	1 PLACE ± --- ± ---	DRAWN BY DATE BHLW 2001/09/11		TITLE DPS CONNECTOR RECEPTACLE, P-S-P CONFIG VERTICAL T/H, BOARDLOCK		
		ANGULAR ± 3 °				CHECKED BY DATE PTL IM 2001/09/12				
		DRAFT WHERE APPLICABLE MUST REMAIN WITHIN DIMENSIONS				APPROVED BY DATE SKTOH 2001/09/14		MOLEX INCORPORATED DOCUMENT NO. SD-87687-001		
A	REV	SEE TABLE		MATERIAL NO.		SHEET NO. 2 OF 2				