

PLEASE CHECK WWW.MOLEX.COM FOR LATEST PART INFORMATION

Part Number: [0533146065](#)
Status: **Active**
Description: 2.00mm (.079") Pitch Mi II™ System Wire-to-Board Header, Dual Row, Vertical, with Eject Levers, Lead-free, 60 Circuits

Documents:

3D Model	Product Specification PS-51160-006 (PDF)
Drawing (PDF)	Product Specification PS-52478-002 (PDF)
Product Specification PS-51089-005 (PDF)	RoHS Certificate of Compliance (PDF)

Agency Certification

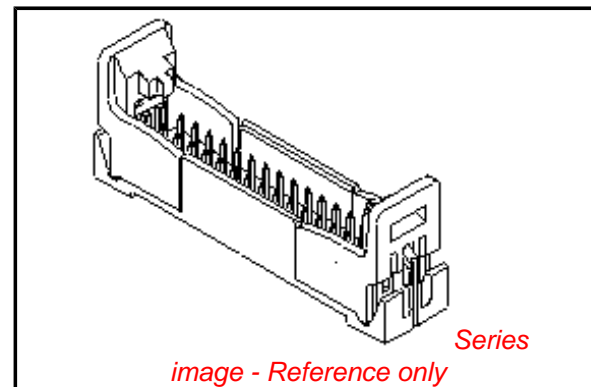
CSA	LR19980
UL	E29179

General

Product Family	PCB Headers
Series	53314
Application	Wire-to-Board
Product Name	Mi II™

Physical

Breakaway	No
Circuits (Loaded)	60
Circuits (maximum)	60
Color - Resin	Gray
Durability (mating cycles max)	30
First Mate / Last Break	No
Flammability	94V-0
Glow-Wire Compliant	No
Guide to Mating Part	No
Keying to Mating Part	None
Lock to Mating Part	Yes
Material - Metal	Brass
Material - Plating Mating	Tin
Material - Plating Termination	Tin
Material - Resin	Nylon, Polyester
Number of Rows	2
Orientation	Vertical
PC Tail Length (in)	0.138 In
PC Tail Length (mm)	3.50 mm
PCB Locator	Yes
PCB Retention	None
PCB Thickness Recommended (in)	0.062 In
PCB Thickness Recommended (mm)	1.60 mm
Packaging Type	Tray
Pitch - Mating Interface (in)	0.079 In
Pitch - Mating Interface (mm)	2.00 mm
Plating min: Mating (µin)	40
Plating min: Mating (µm)	1.00
Plating min: Termination (µin)	40
Plating min: Termination (µm)	1.00
Polarized to PCB	Yes
Shrouded	Fully
Stackable	No
Surface Mount Compatible (SMC)	No
Temperature Range - Operating	-40°C to +105°C



EU RoHS

ELV and RoHS Compliant

REACH SVHC

Not Reviewed

Halogen-Free

Status

Not Halogen-Free

Need more information on product environmental compliance?

Email productcompliance@molex.com
 For a multiple part number RoHS Certificate of Compliance, [click here](#)

Please visit the [Contact Us](#) section for any non-product compliance questions.

China RoHS



Search Parts in this Series

[53314Series](#)

Mates With

[52478](#) Wire-to-Board IDT Receptacle. [51089](#) Crimp Terminal

Termination Interface: Style

Through Hole

Electrical

Current - Maximum per Contact

2A

Voltage - Maximum

125V

Material Info

Reference - Drawing Numbers

Product Specification

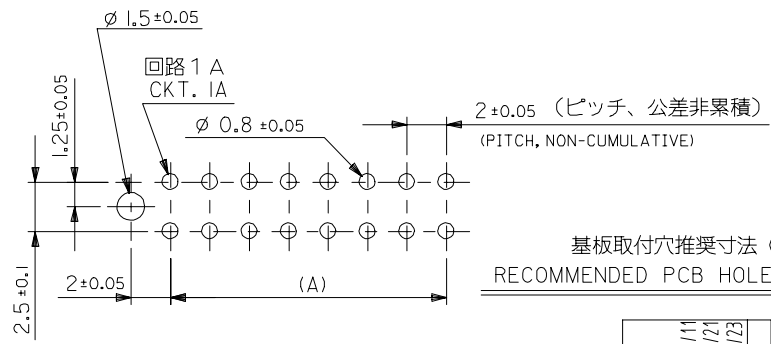
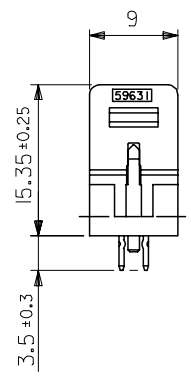
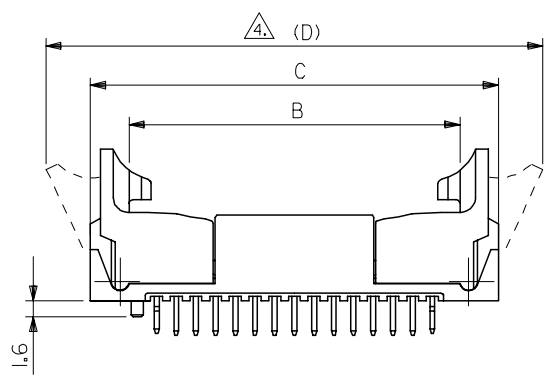
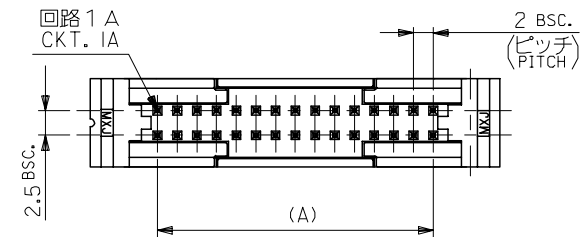
PS-51089-005, PS-51160-006, PS-52478-002,
RPS-51160-004, RPS-51160-005

Sales Drawing

SD-53314-001

This document was generated on 04/16/2010

PLEASE CHECK WWW.MOLEX.COM FOR LATEST PART INFORMATION



基板取付穴推奨寸法 (参考)
RECOMMENDED PCB HOLE DIM.(REF.)

注記
NOTES

- 材料 :
MATERIALS:
ウエハ : ガラス入り 66ナイロン
UL94V-0 色: グレー
WAFER : GLASS FILLE 66 NYLON
UL94V-0, COLOR : GRAY
ピン : 黄銅、スズメッキ
PIN : BRASS, PRE-TINNED
- 適合メスコネクター : 51089-***5, 52478-***15,
MATING CONNECTORS :
- 推奨基板厚 :
RECOMMENDED PCB THICKNESS : t
- イジェクターが開いている状態。
EJECTORS IN OPEN POSITION
- メッキ仕様
TERMINAL PLATING
表面メッキ : スズメッキ 14μm MIN.
SURFACE PLATE : TIN 14μm MIN.
下地メッキ : ニッケルメッキ 0.54μm MIN.
UNDER PLATE : NICKEL 0.54μm MIN.

無鉛
LEAD FREE

80.4	71.4	63.6	58	53314-6065	60
70.4	61.4	53.6	48	-5065	50
60.4	51.4	43.6	38	-4065	40
54.4	45.4	37.6	32	-3465	34
50.4	41.4	33.6	28	53314-3065	30
(D)	C	B	(A)	MATERIAL NO.	CKT.

REVISED EC NO: J2007-0432 DRWNG: SALT001 2006/08/11 CHKD: THARUYAMA 2006/08/21 APPR: NUKITA 2006/08/23	GENERAL TOLERANCES (UNLESS SPECIFIED)		DIMENSION STYLE MM ONLY		SCALE 2:1	DESIGN UNITS METRIC	THIRD ANGLE PROJECTION
	10 UNDER	± 0.2	DRAWN BY A. IDA	DATE 2003/05/07	TITLE 2.0 W/B DUAL ROW S/T HEADER WITH EJECT ASSY		
	10 OVER 30 UNDER	± 0.25	CHECKED BY J. MIYAZAWA	DATE 2003/05/07	MOLEX INCORPORATED		
	30 OVER	± 0.3	APPROVED BY Y. ITO	DATE 2003/05/07	DOCUMENT NO. SD-53314-001	SHEET NO. 1 OF 1	
	ANGULAR	± 3 °	MATERIAL NO. SEE CHART				
DRAFT WHERE APPLICABLE MUST REMAIN WITHIN DIMENSIONS		THIS DRAWING CONTAINS INFORMATION THAT IS PROPRIETARY TO MOLEX INCORPORATED AND SHOULD NOT BE USED WITHOUT WRITTEN PERMISSION					

MATERIAL
材料
注記参照
SEE NOTES