

PLEASE CHECK WWW.MOLEX.COM FOR LATEST PART INFORMATION

Part Number: [0511430305](#)
Status: **Active**
Description: 6.50mm (.256") Wire-to-Board Retainer, 3 circuits

Documents:

3D Model	Product Specification PS-51142-003 (PDF)
Drawing (PDF)	RoHS Certificate of Compliance (PDF)
Product Specification PS-51142-002 (PDF)	

General

Product Family	Accessories
Series	51143
Component Type	Retainer
Product Name	N/A

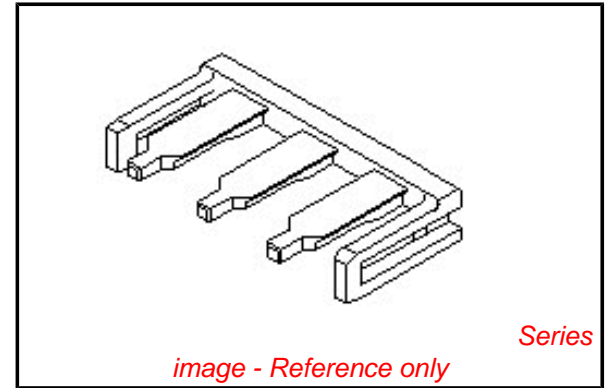
Physical

Circuits (Loaded)	3
Color - Resin	Gray
Material - Resin	Polyester
Number of Rows	1
Packaging Type	Bag

Material Info

Reference - Drawing Numbers

Product Specification	PS-51142-002, PS-51142-003, RPS-51142-002, RPS-51142-004, RPS-51142-005, RPS-51142-007, RPS-51142-008
Sales Drawing	SD-51143-**05



EU RoHS

**ELV and RoHS
Compliant**
**REACH SVHC
Contains SVHC: No
Halogen-Free
Status**

China RoHS



**Need more information on product
environmental compliance?**

Email productcompliance@molex.com
 For a multiple part number RoHS Certificate of
 Compliance, [click here](#)

Please visit the [Contact Us](#) section for any
 non-product compliance questions.

Search Parts in this Series
 51143Series

E

D

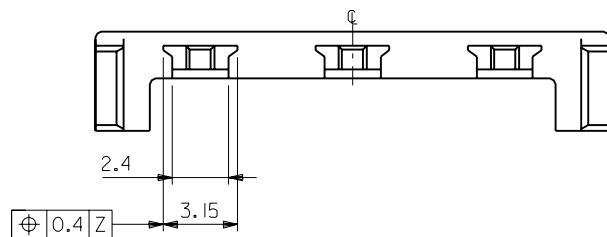
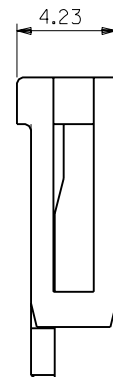
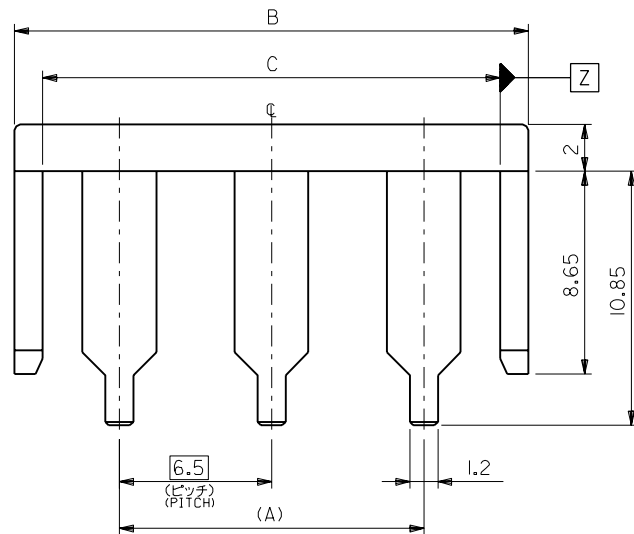
C

B

A

MM

DIMENSIONS IN METRIC DO NOT SCALE DRAWING



注記 NOTE

1. 適合ハウジング：51142 シリーズ
APPLICABLE HOUSING : 51142 SERIES.

19.54	21.94	13.0	51143-0305	3
13.04	15.44	6.5	51143-0205	2
6.54	8.94	—	51143-0105	1
C	B	A	ENG. NO.	NO. OF CKT.

角度 ANGLE		±3°						材料 MATERIAL	PBTP,UL94V-0 (色：灰色) (COLOR : GRAY)
30 以上 OVER		+0.3						仕上げ FINISH	—
10 以上 30 未満 OVER UNDER		+0.25	A	変更 REVISD	(JC60546)	D.H.	H.H.	適用電線範囲 WIRE RANGE	—
10 未満 UNDER		+0.2	O	新規作成 RELEASED	(JC60393)	S.M.	H.H.	被覆外径 INS. RANGE	—
一般公差 GENERAL TOLERANCES			記号 LTR	変更内容 REVISION RECORD		DR. CHK.	日付 DATE	DRAWN BY '95/12/15	CHK'D BY '96/02/08
								H.HASEGAWA	H.HIRAMOTO
								APP'D BY '96/02/08	尺 度 SCALE 5 : 1
								M.FUKUSHIMA	

MOLEX-JAPAN CO.,LTD. 日本モレックス株式会社	
REVISE ONLY ON CAD SYSTEM	
TITLE 名称 6.5 WIRE TO BOARD CONN. RETAINER	
DWG. NO.	REV
SD-51143-**-05	A

51143.S11